

ZMM.3350 BOXFIX M

ML

The Blum logo consists of a stylized arrow pointing upwards and to the right, followed by the word "blum" in a bold, lowercase, sans-serif font. A registered trademark symbol (®) is located at the top right of the logo.

BA-103/3ML ZMM.3350



1x

STIFTSCHL.KURZ 5



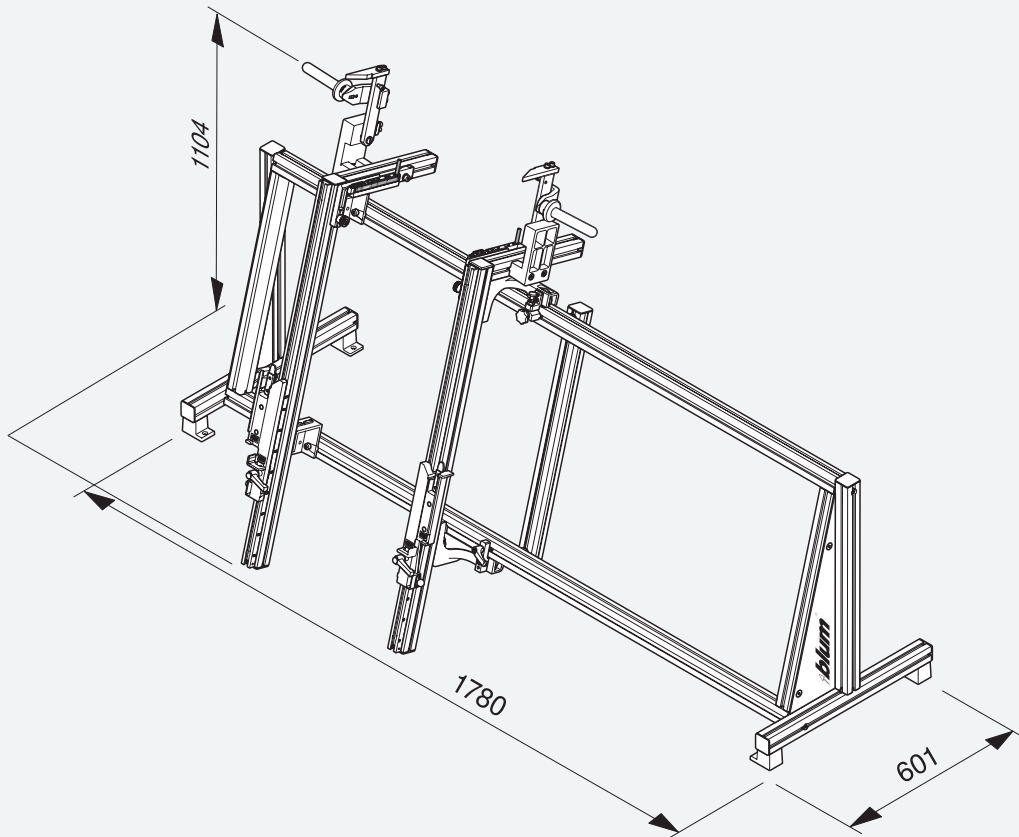
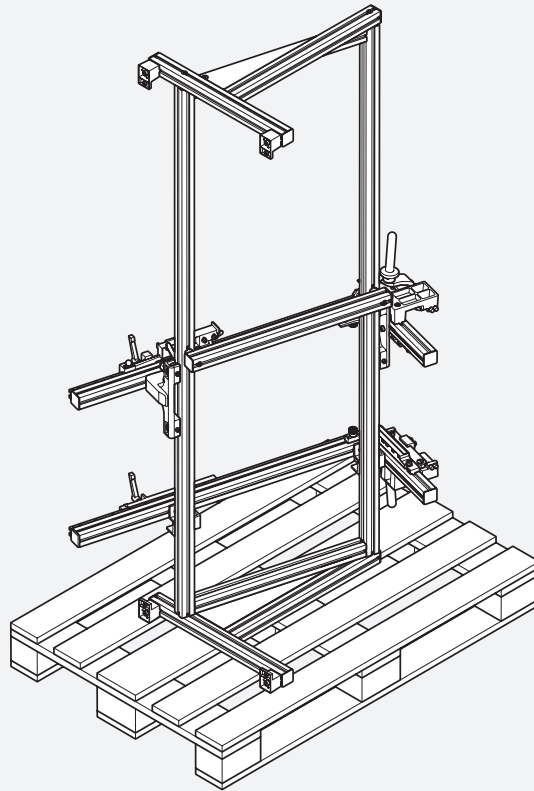
1x

M01.ZZ03 ZENT-BOHR S

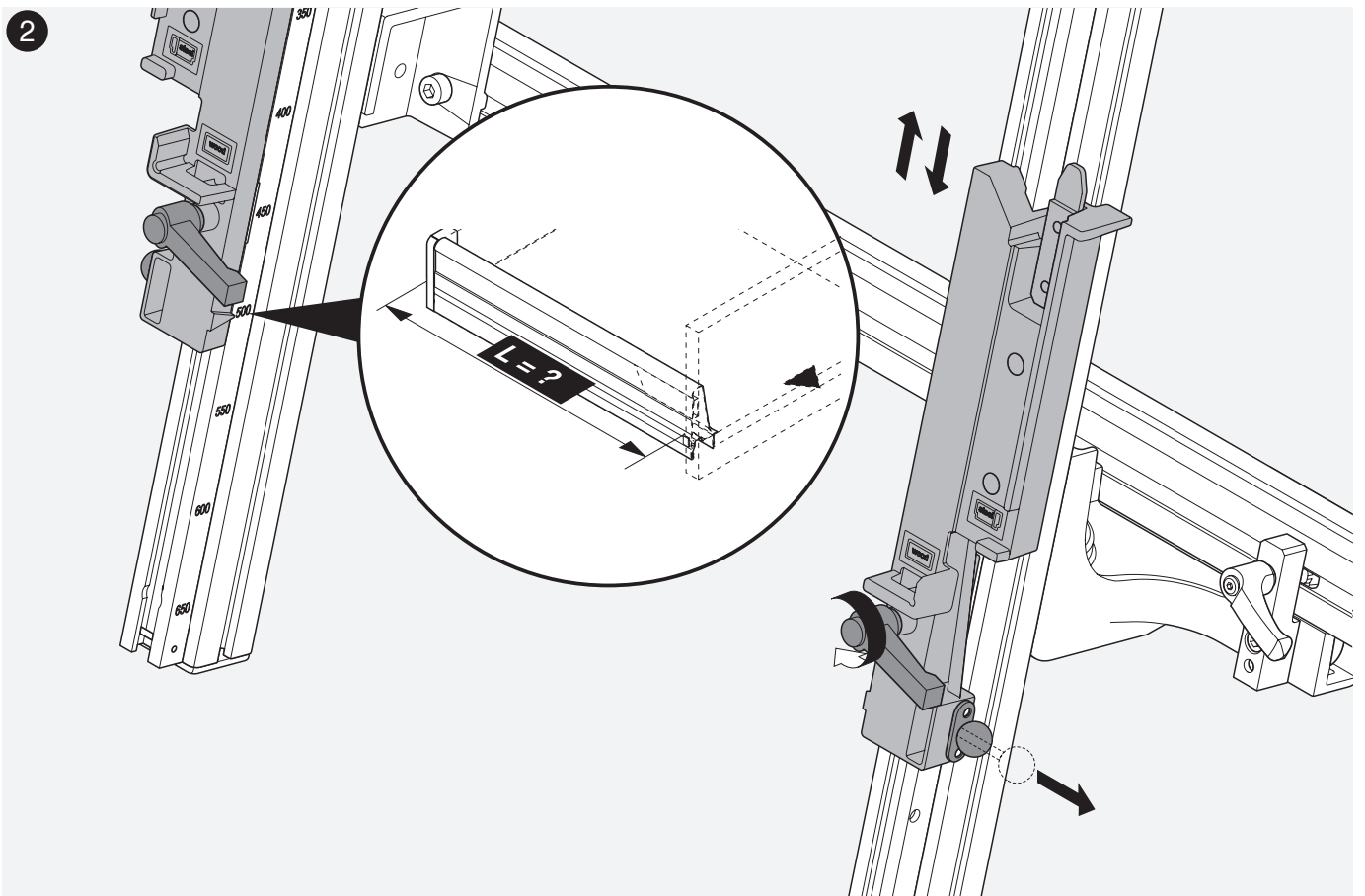
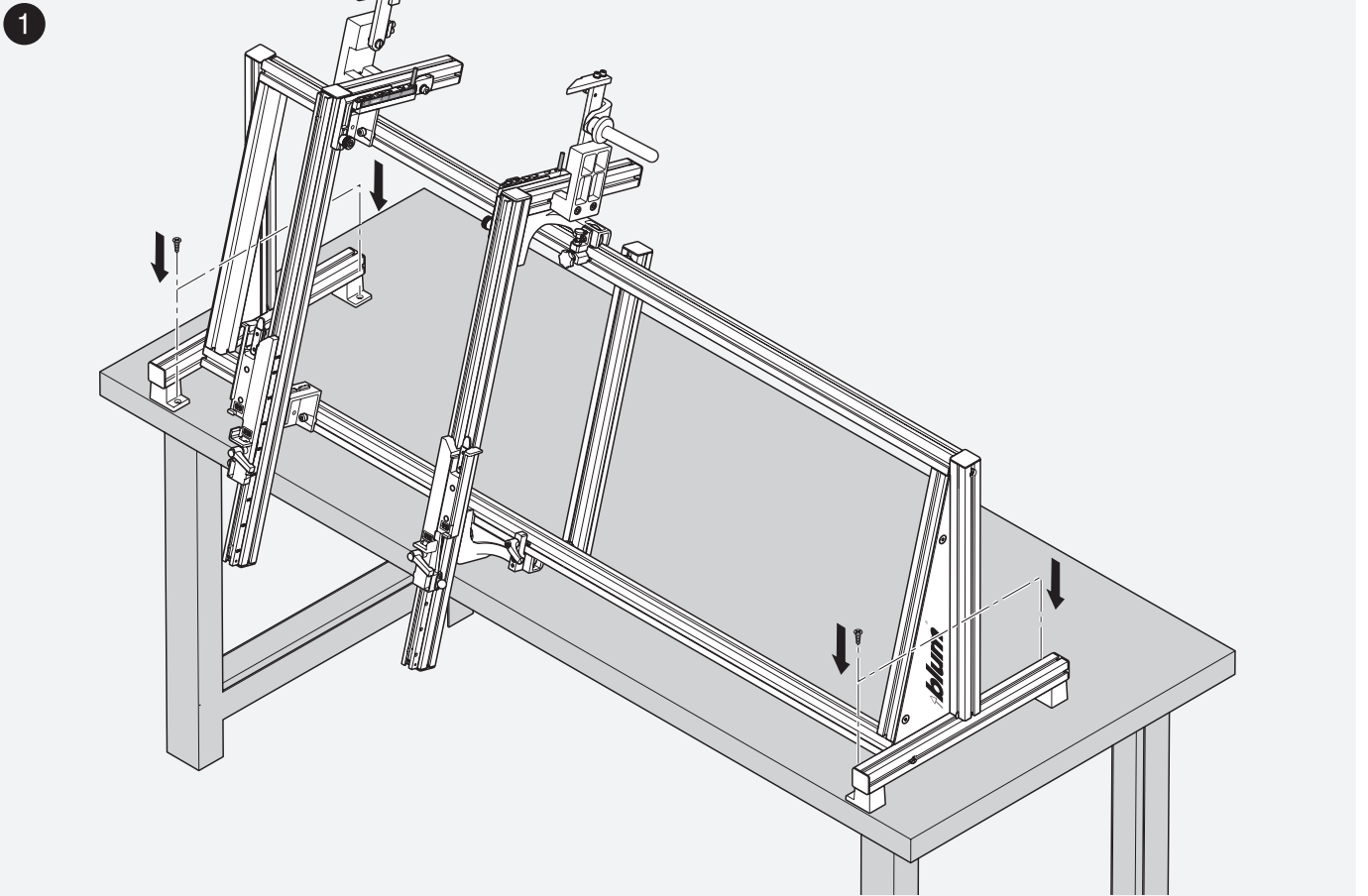


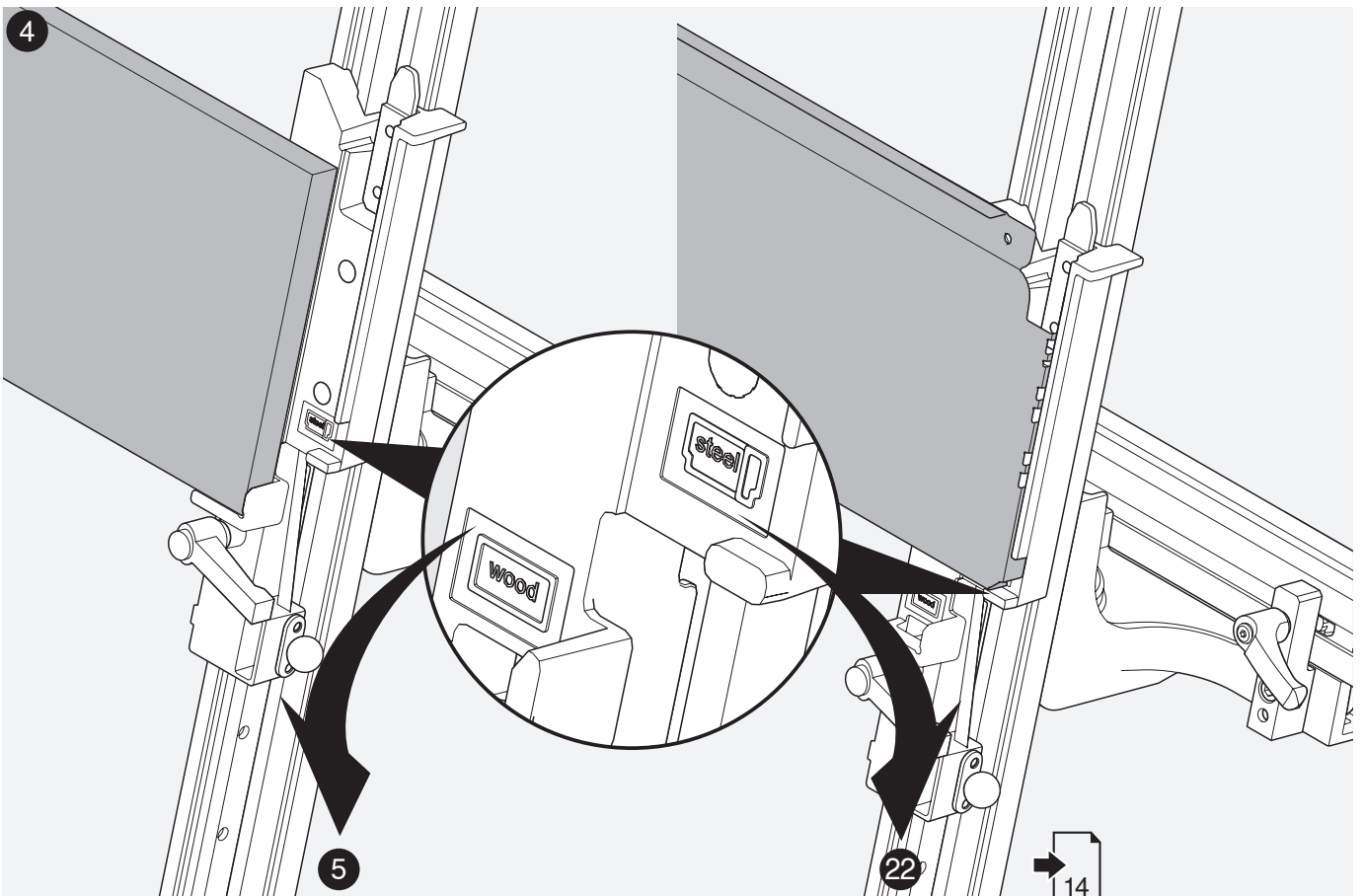
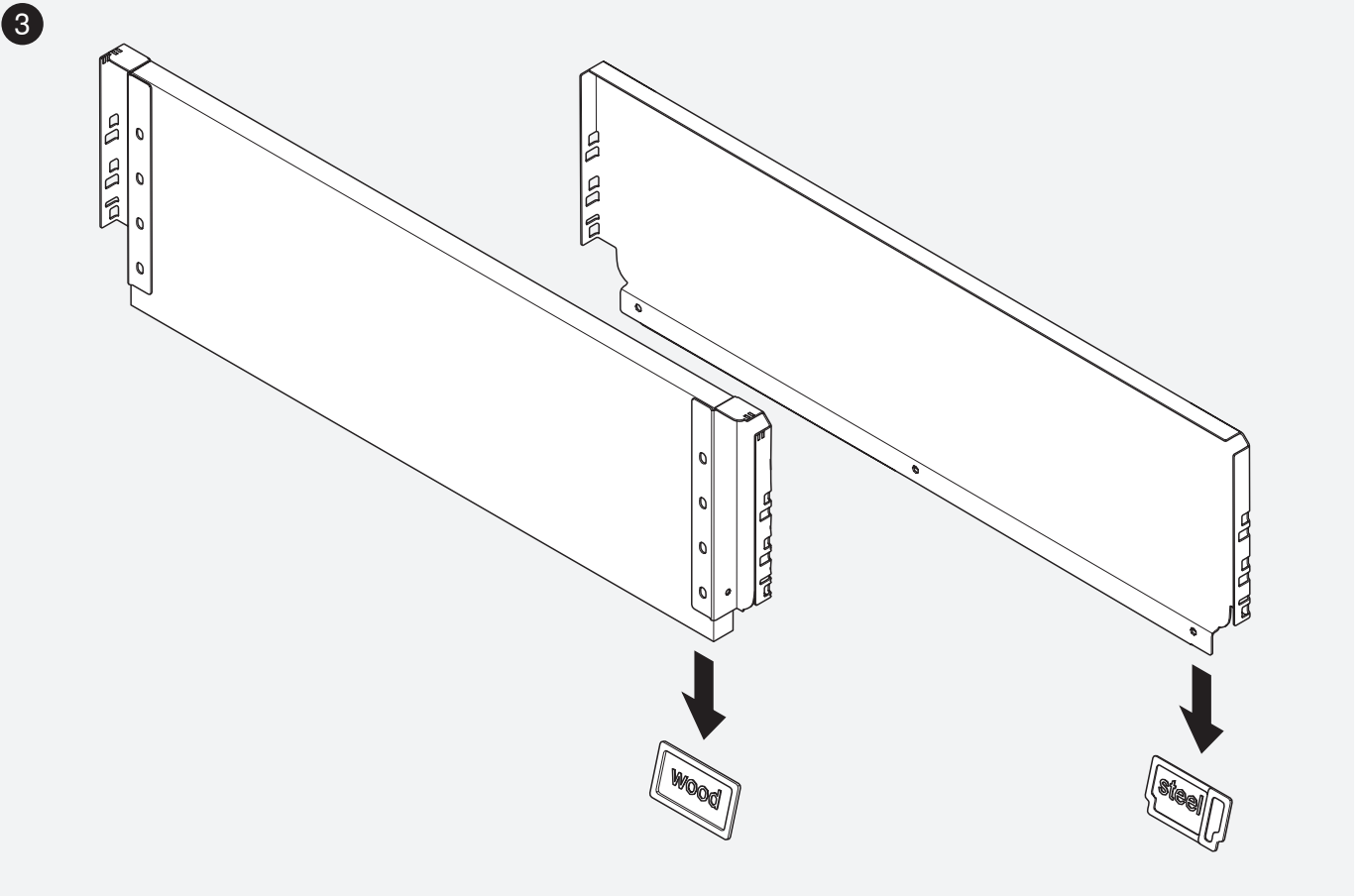
4x

DIN6325 8X80 ZYLINDERSTI



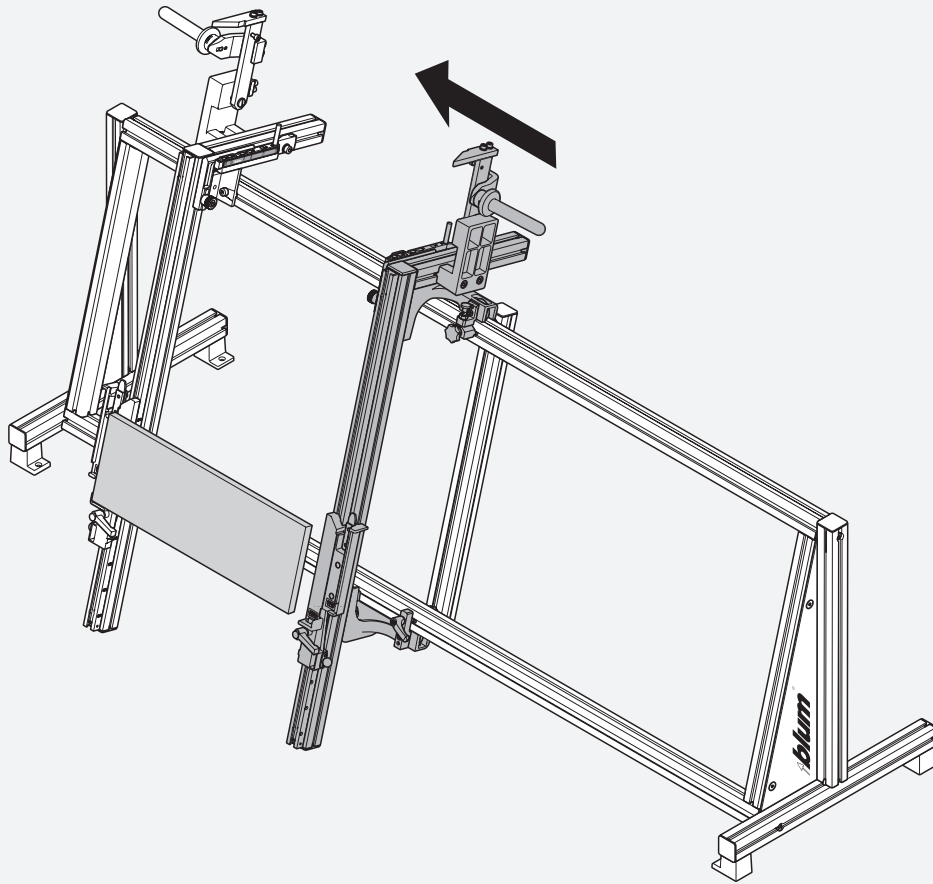
35 kg



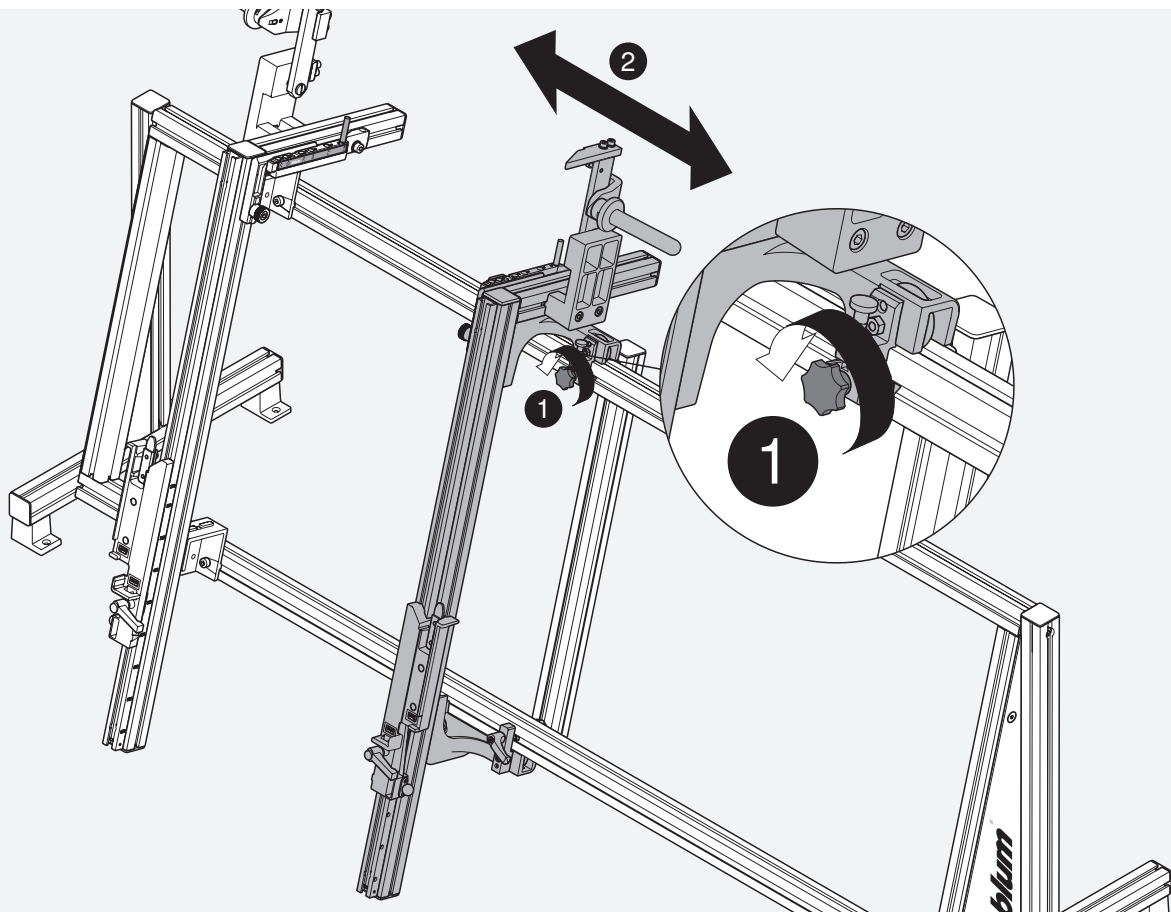


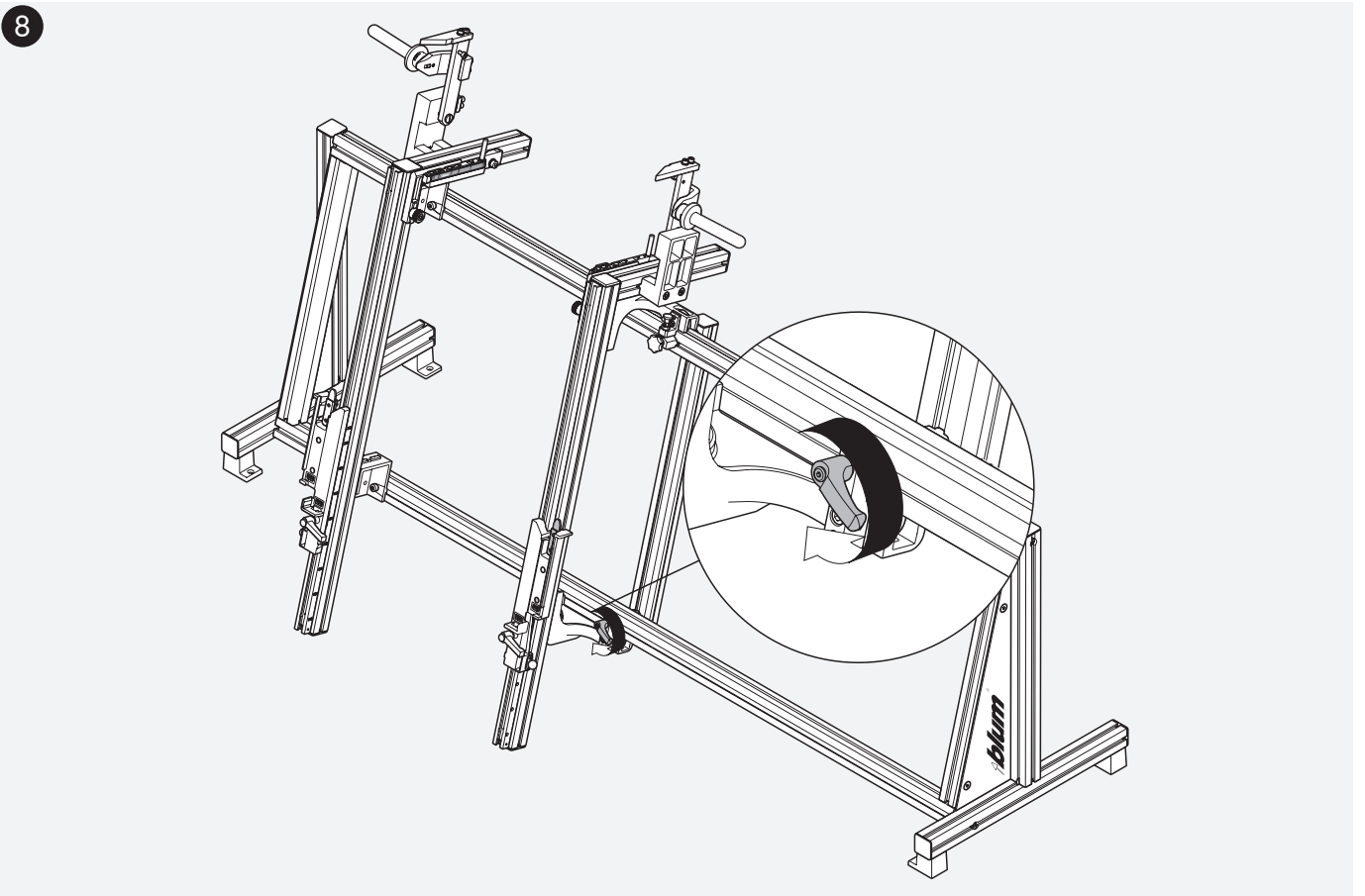
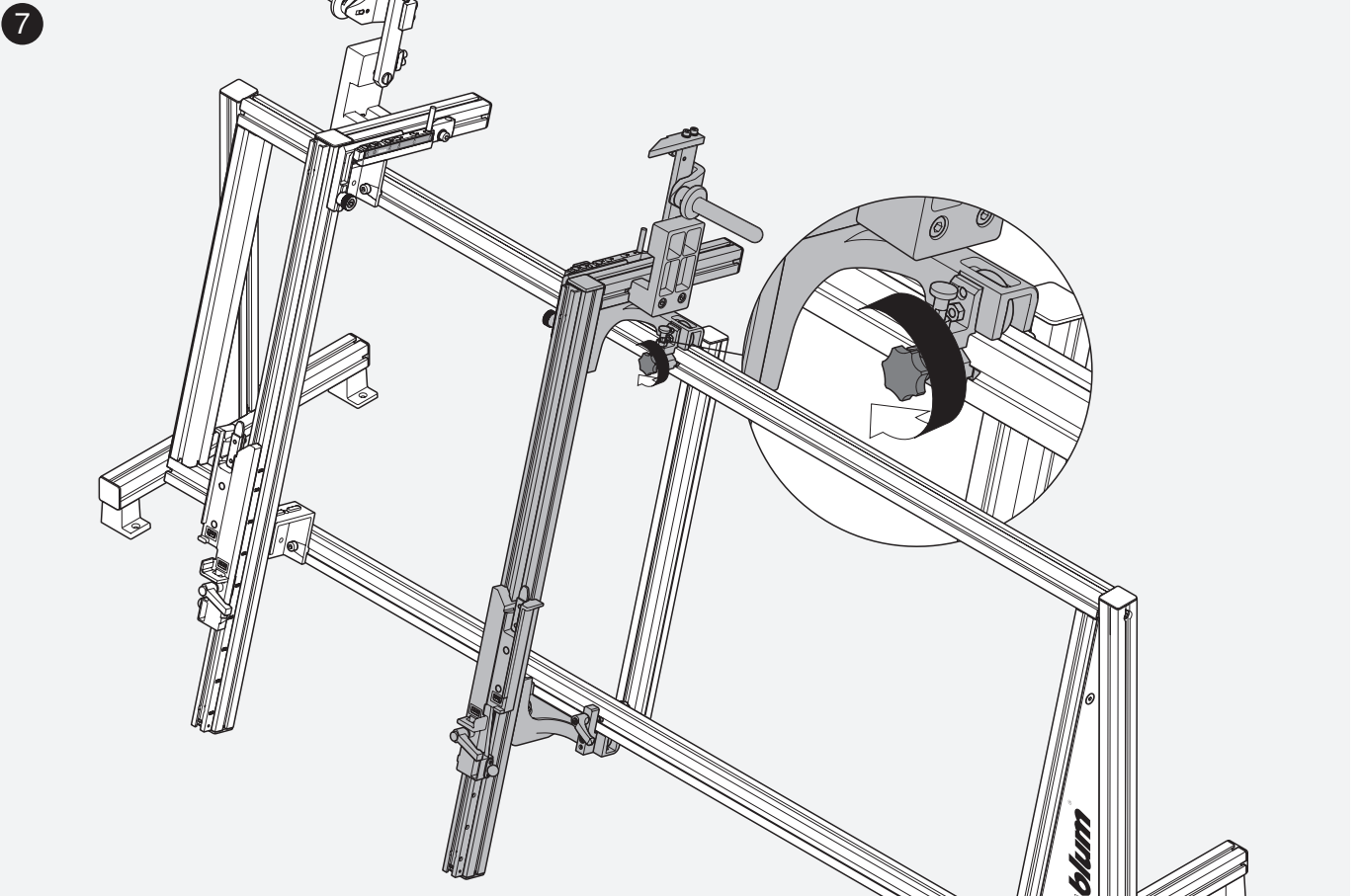


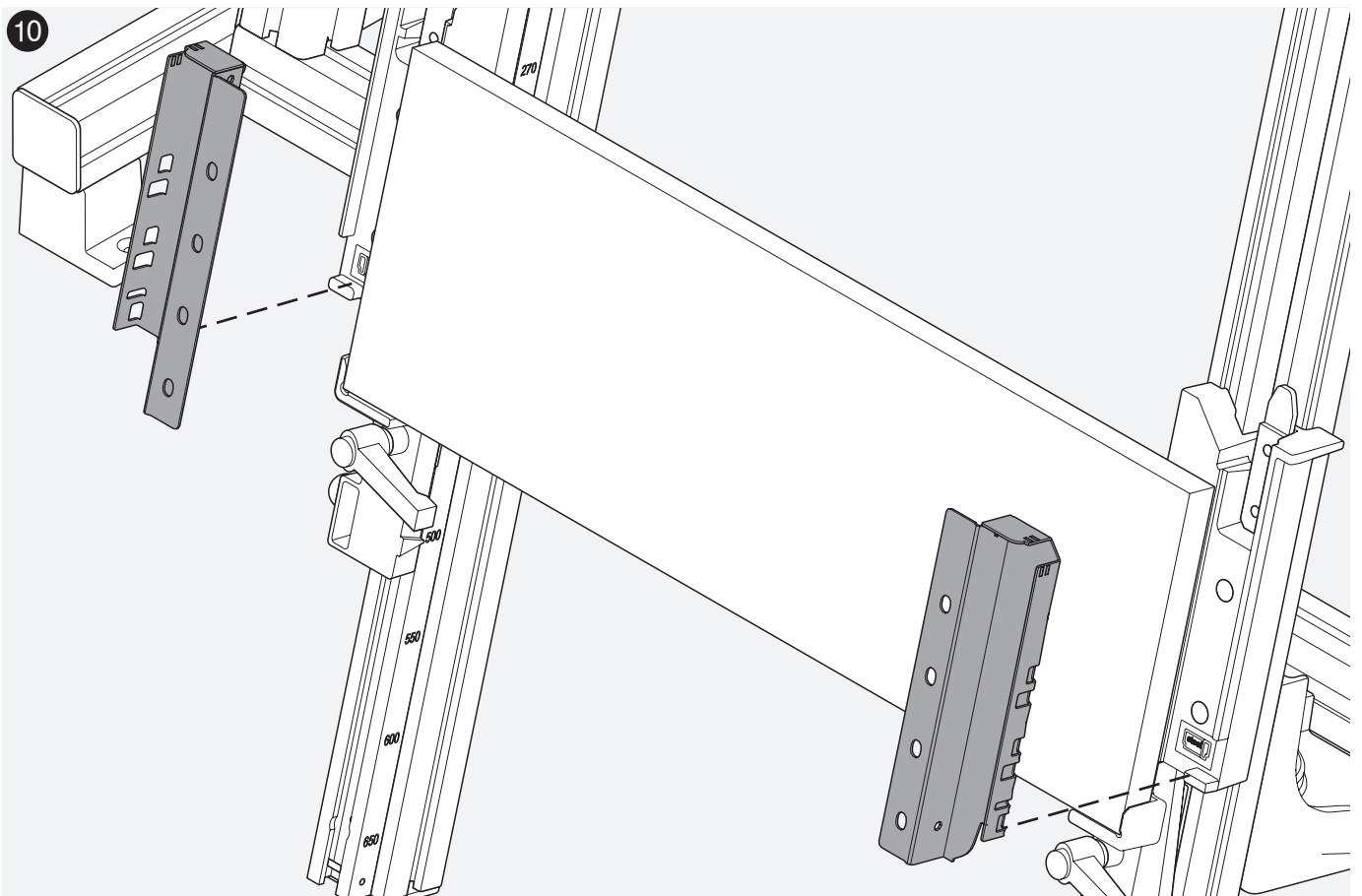
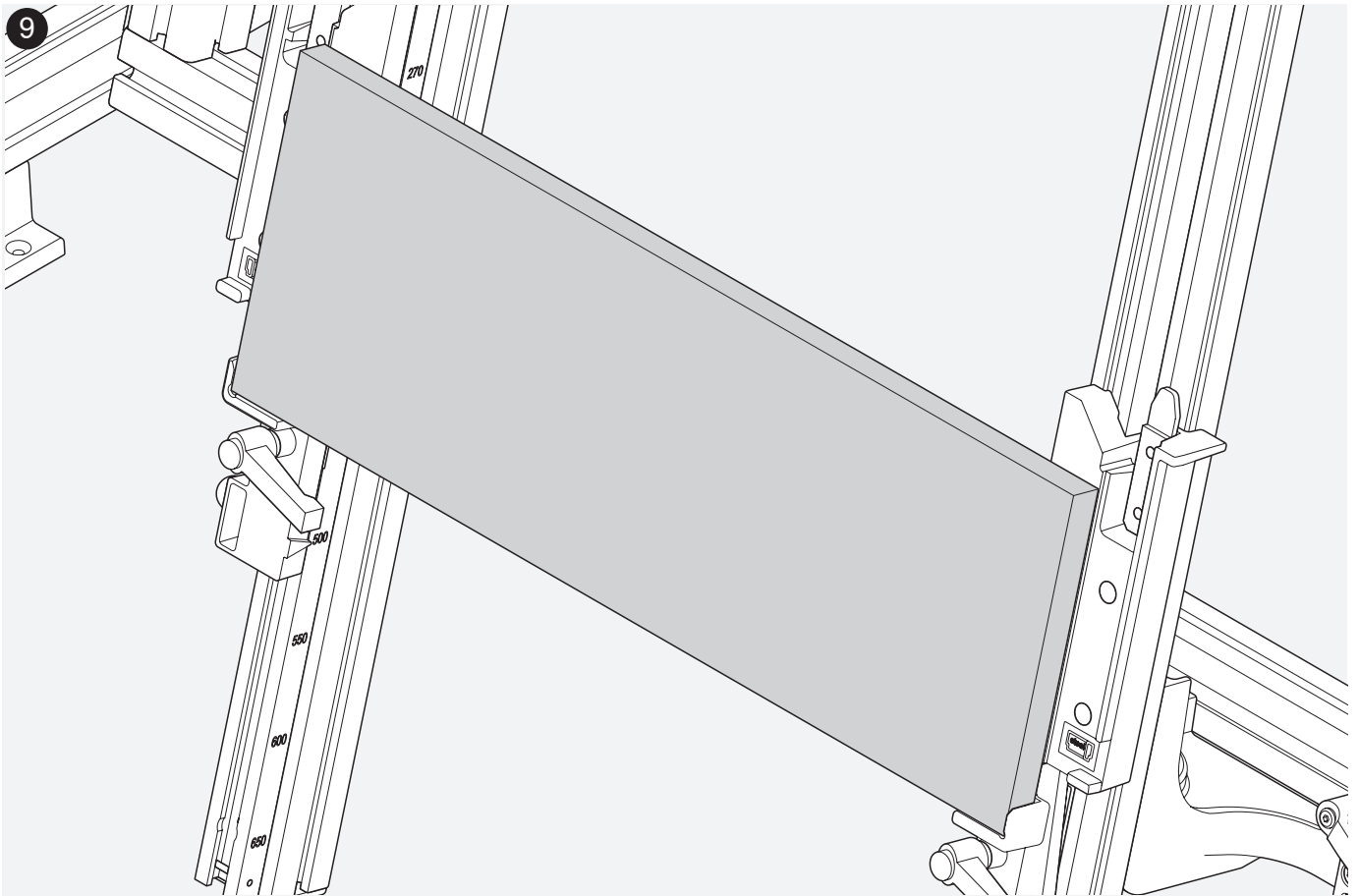
5

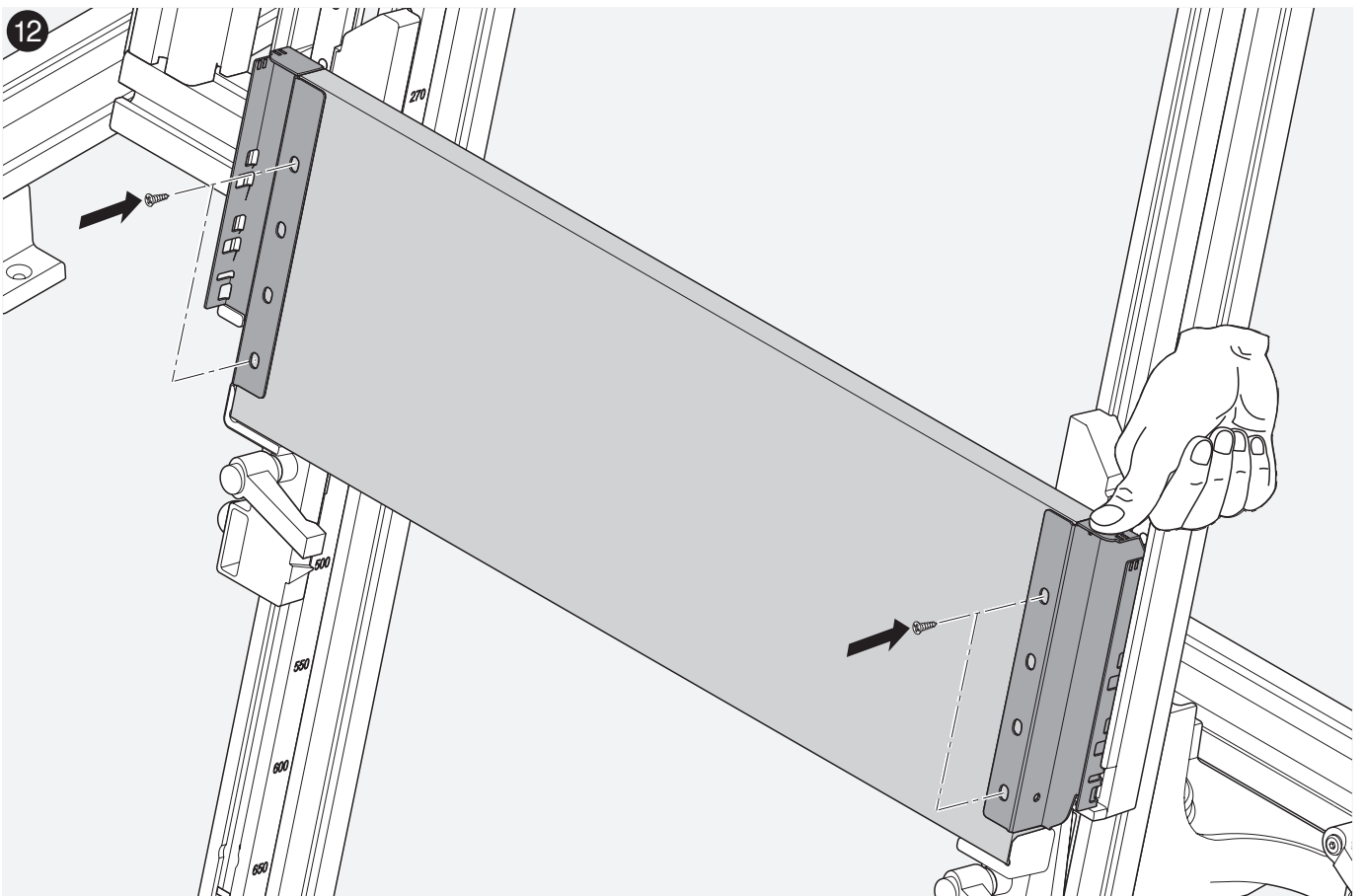
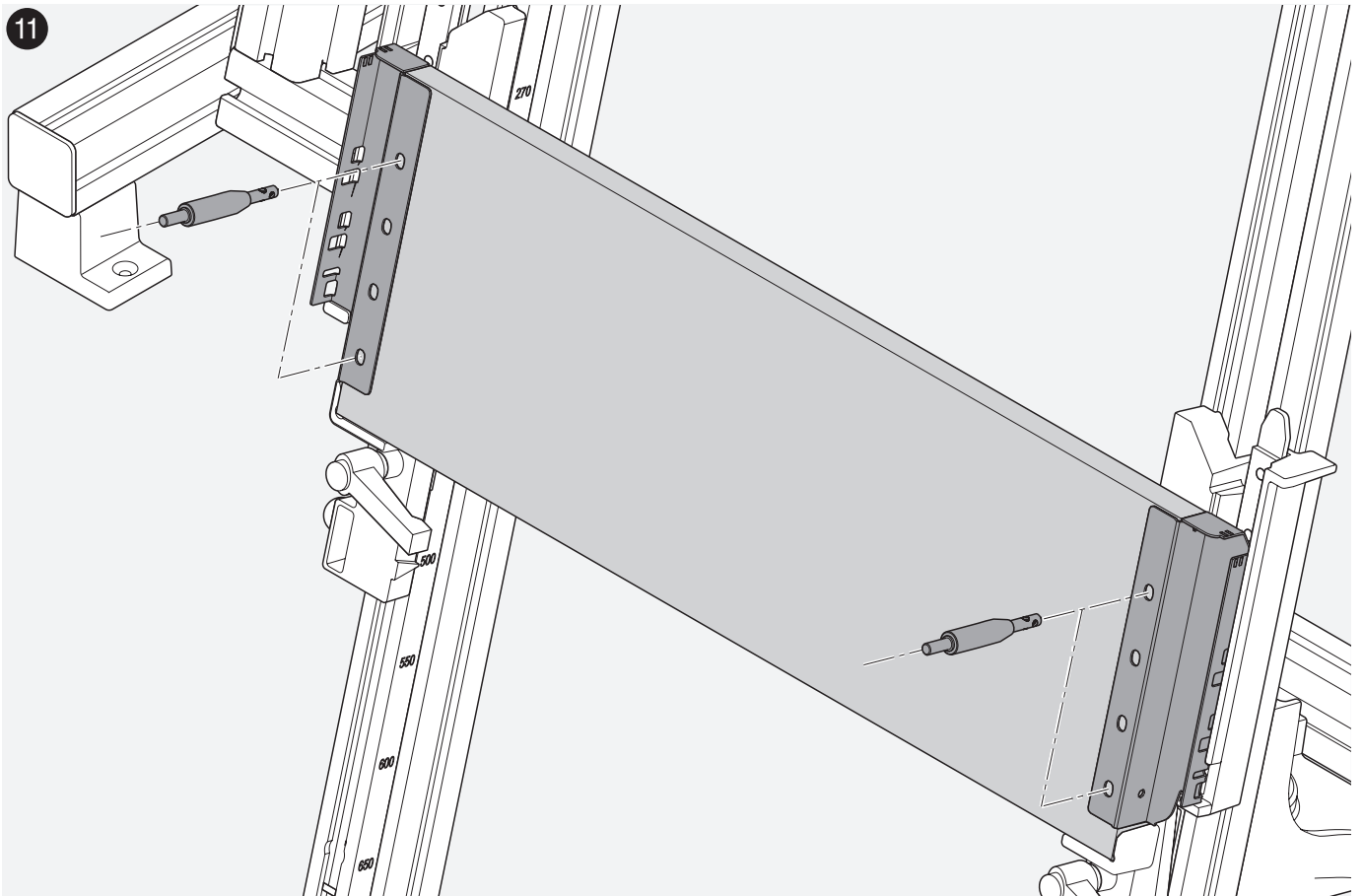
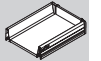


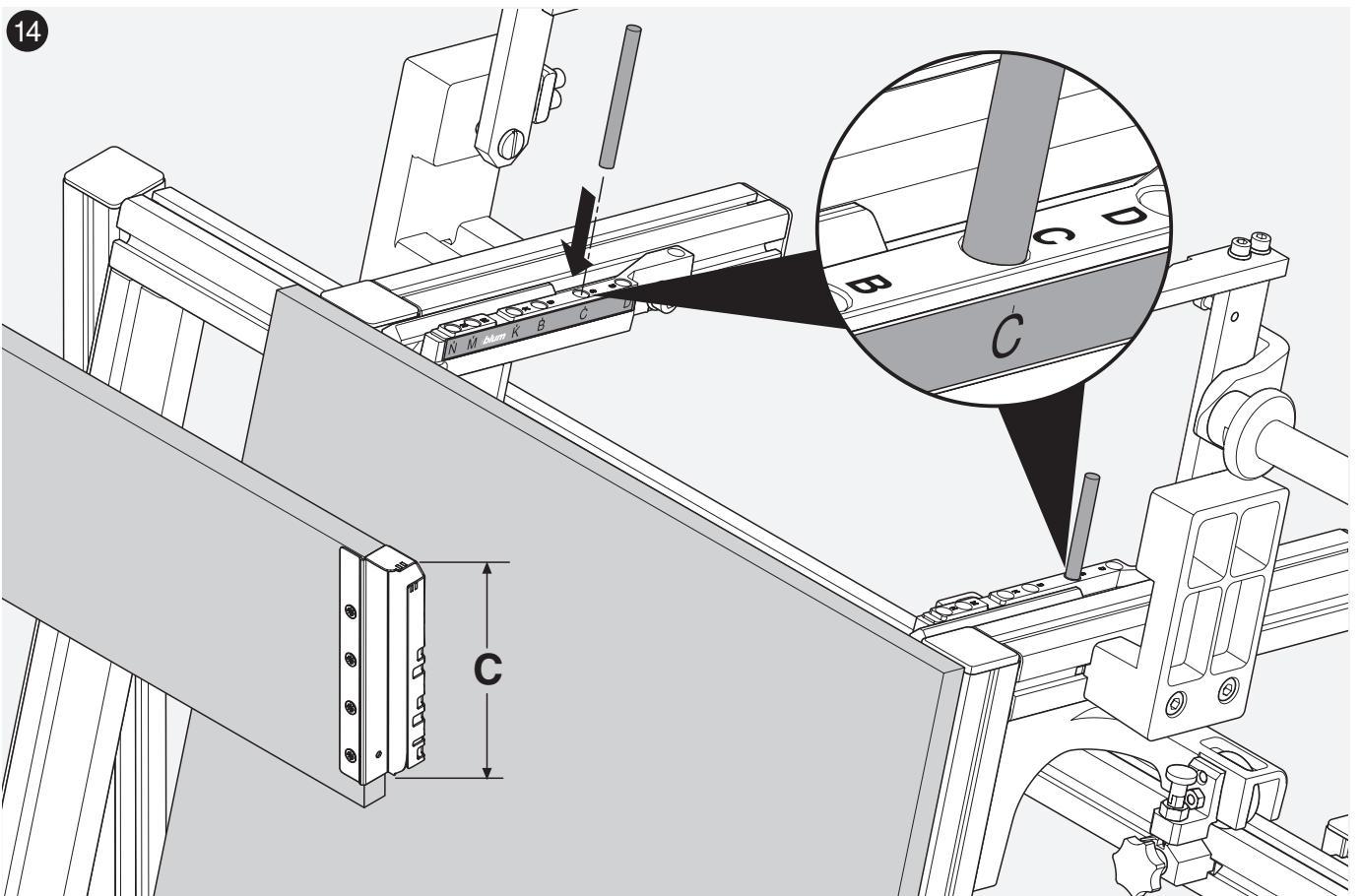
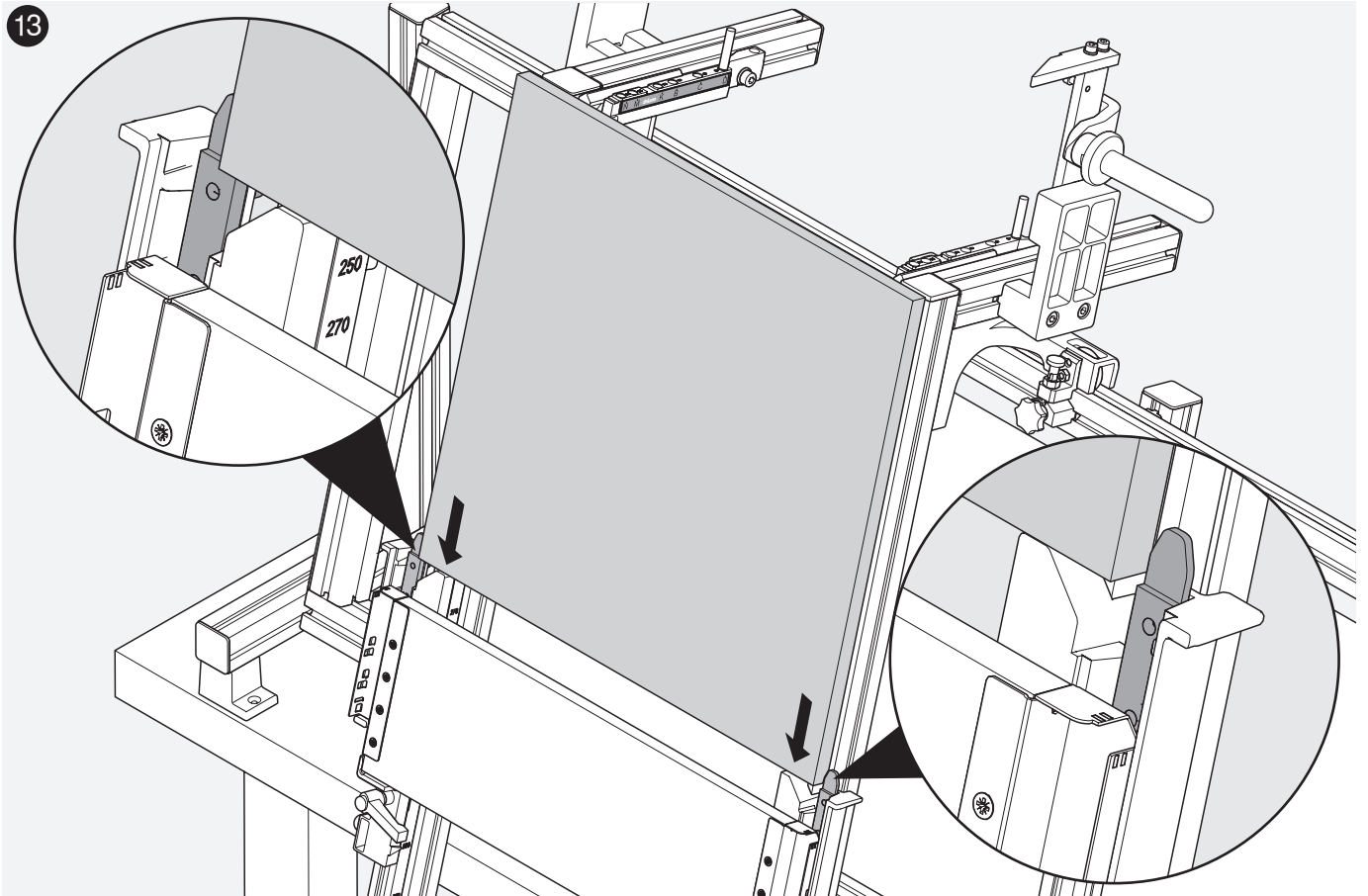
6

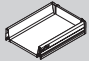




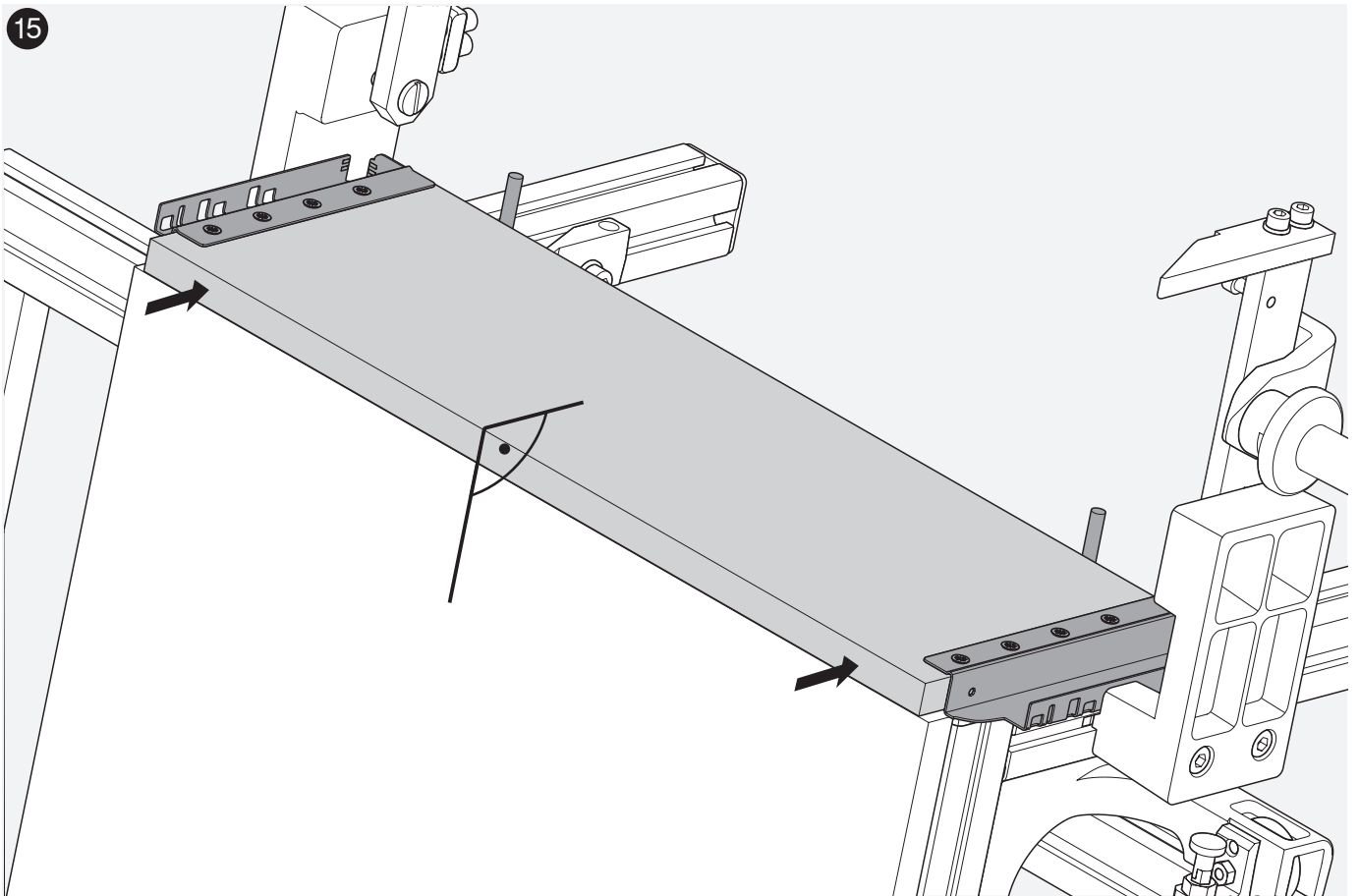




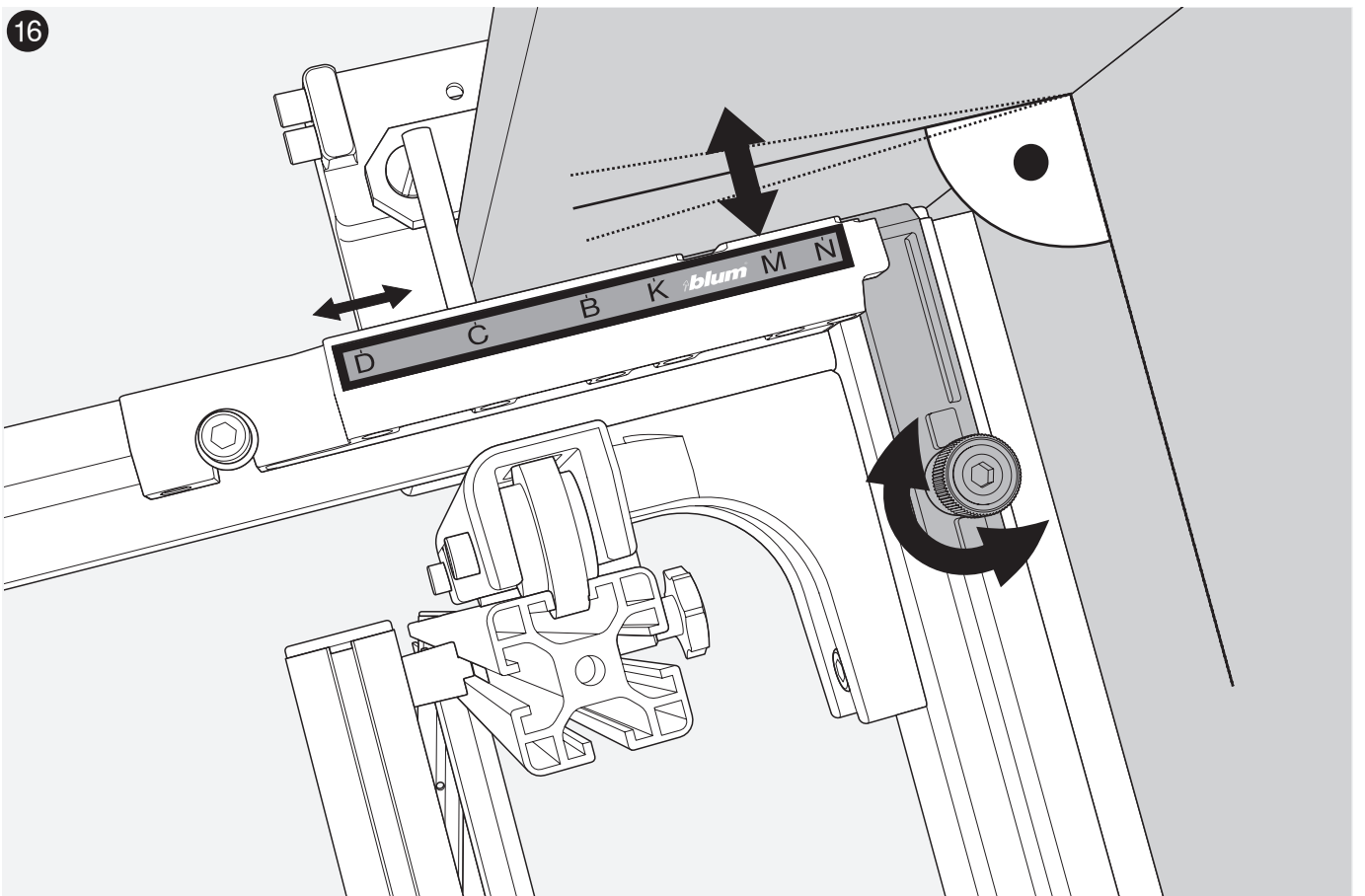


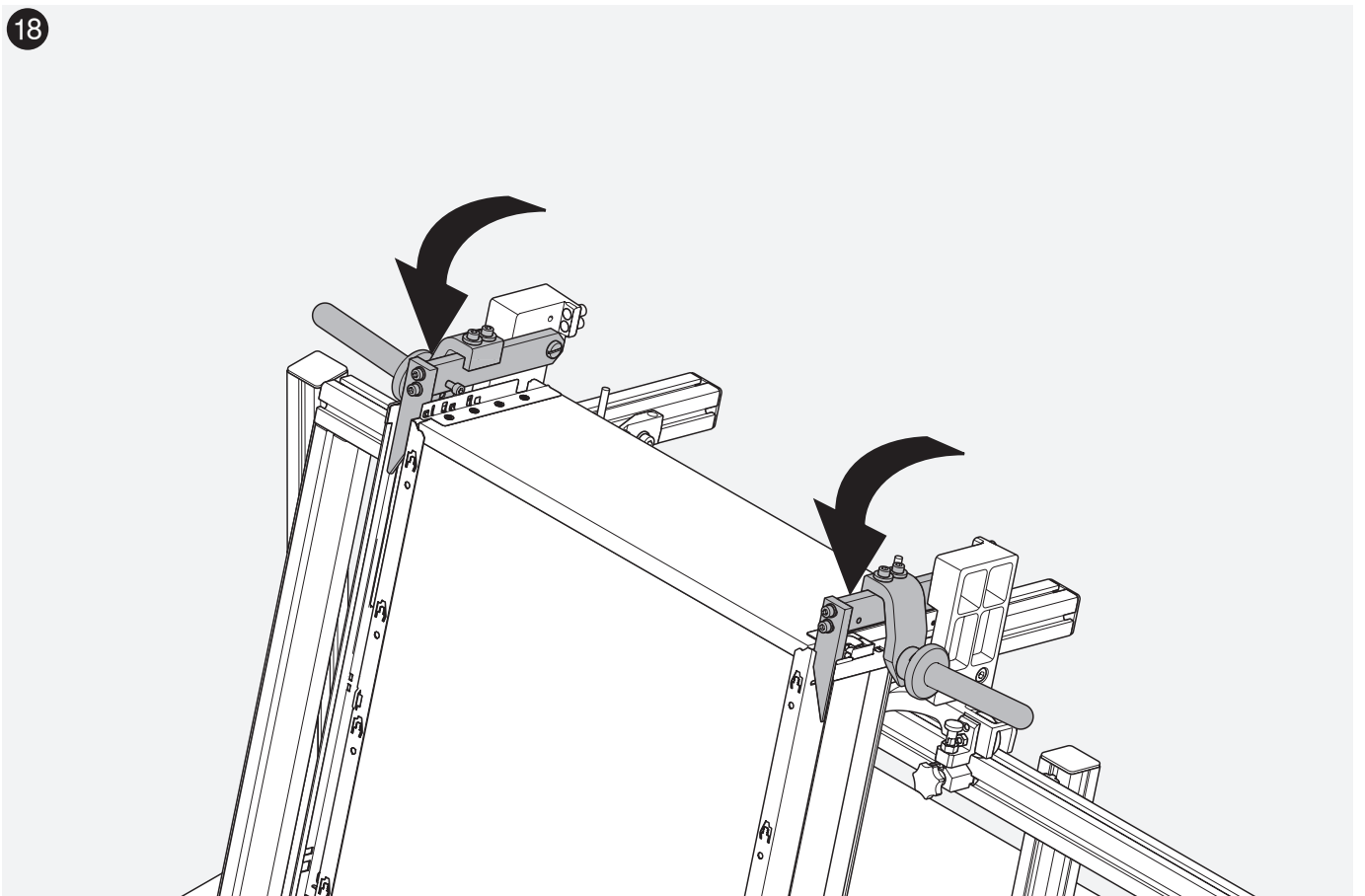
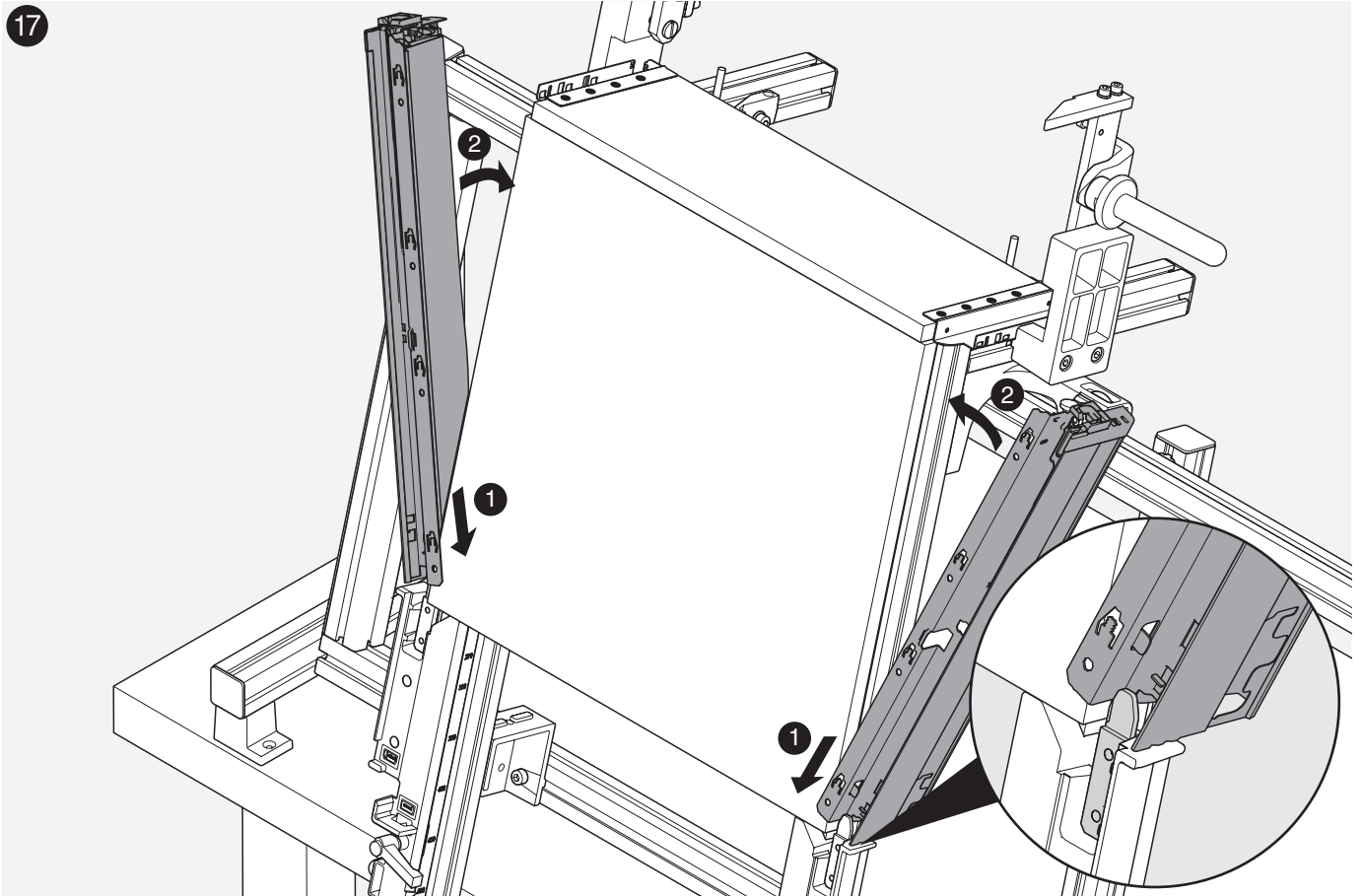


15



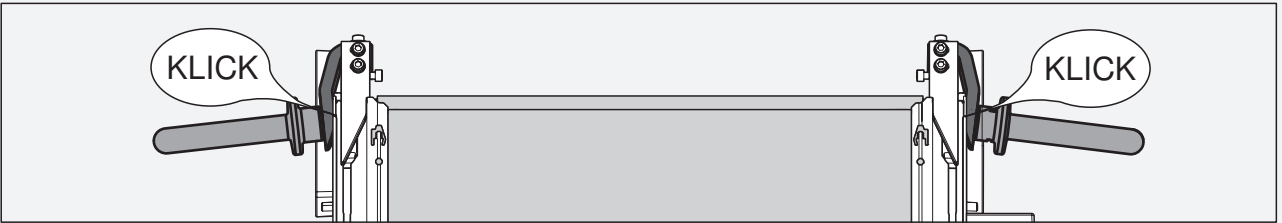
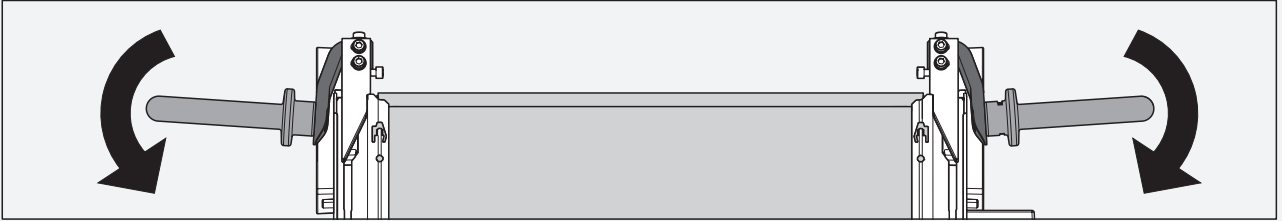
16



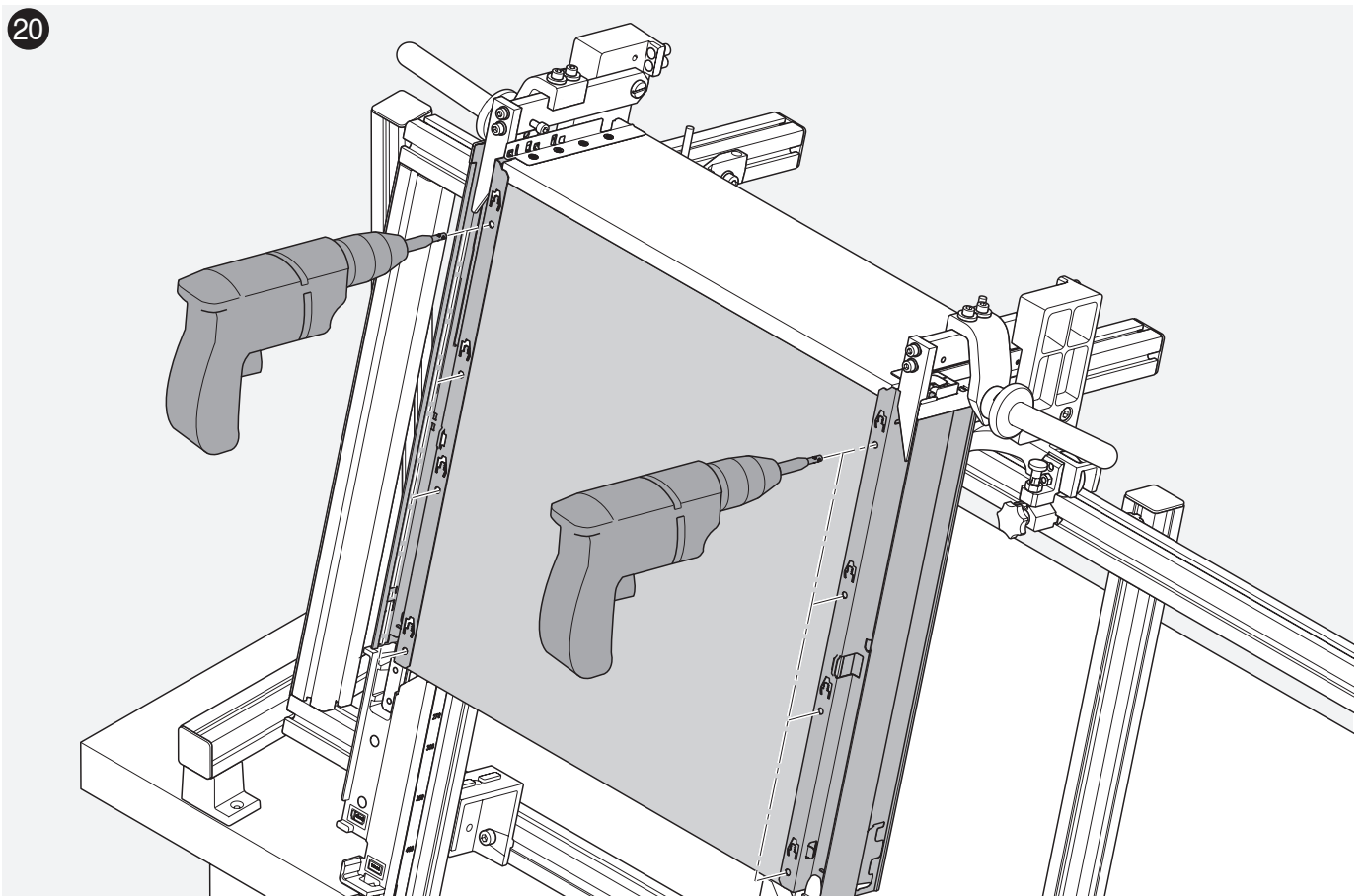




19

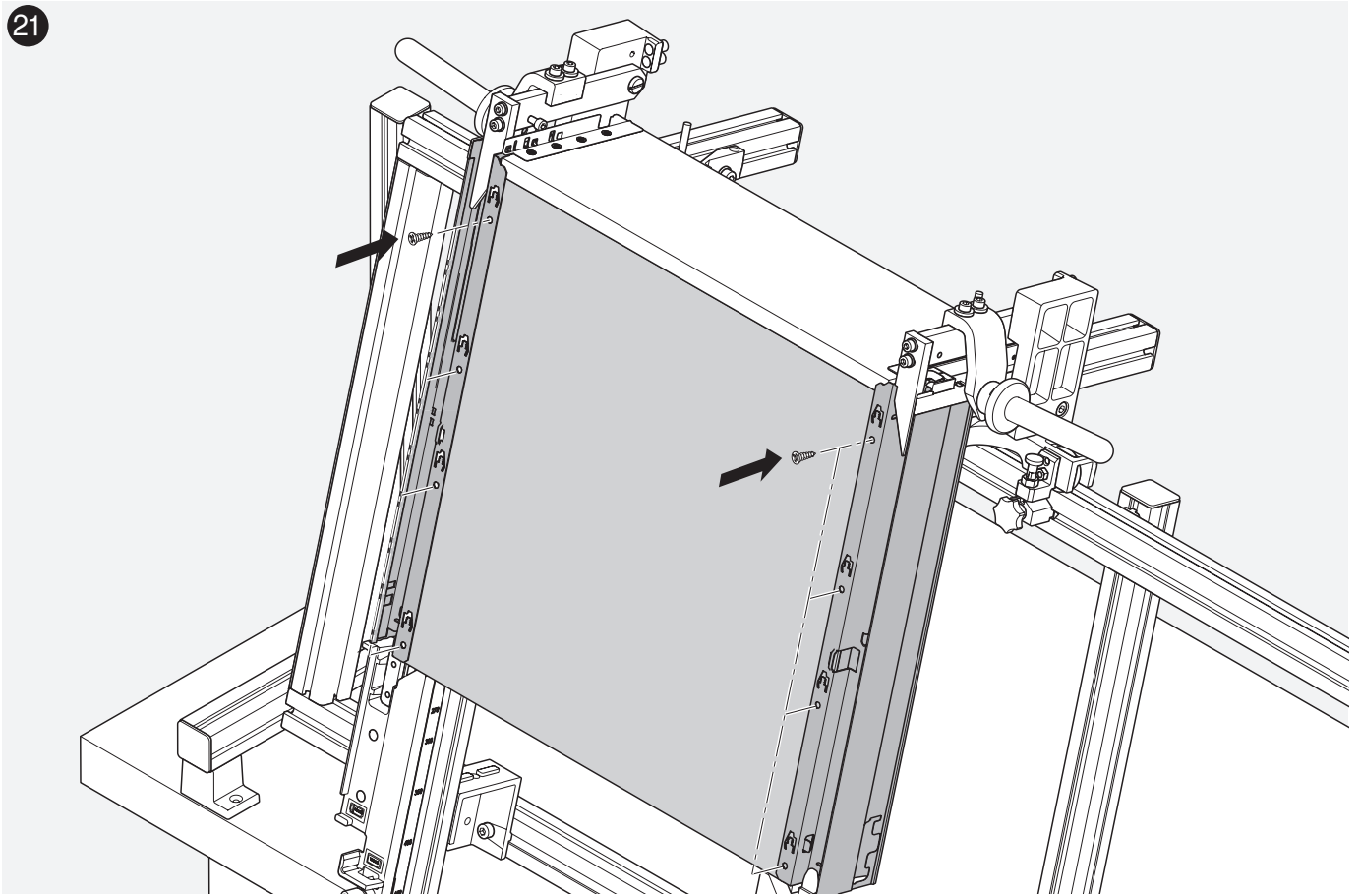


20

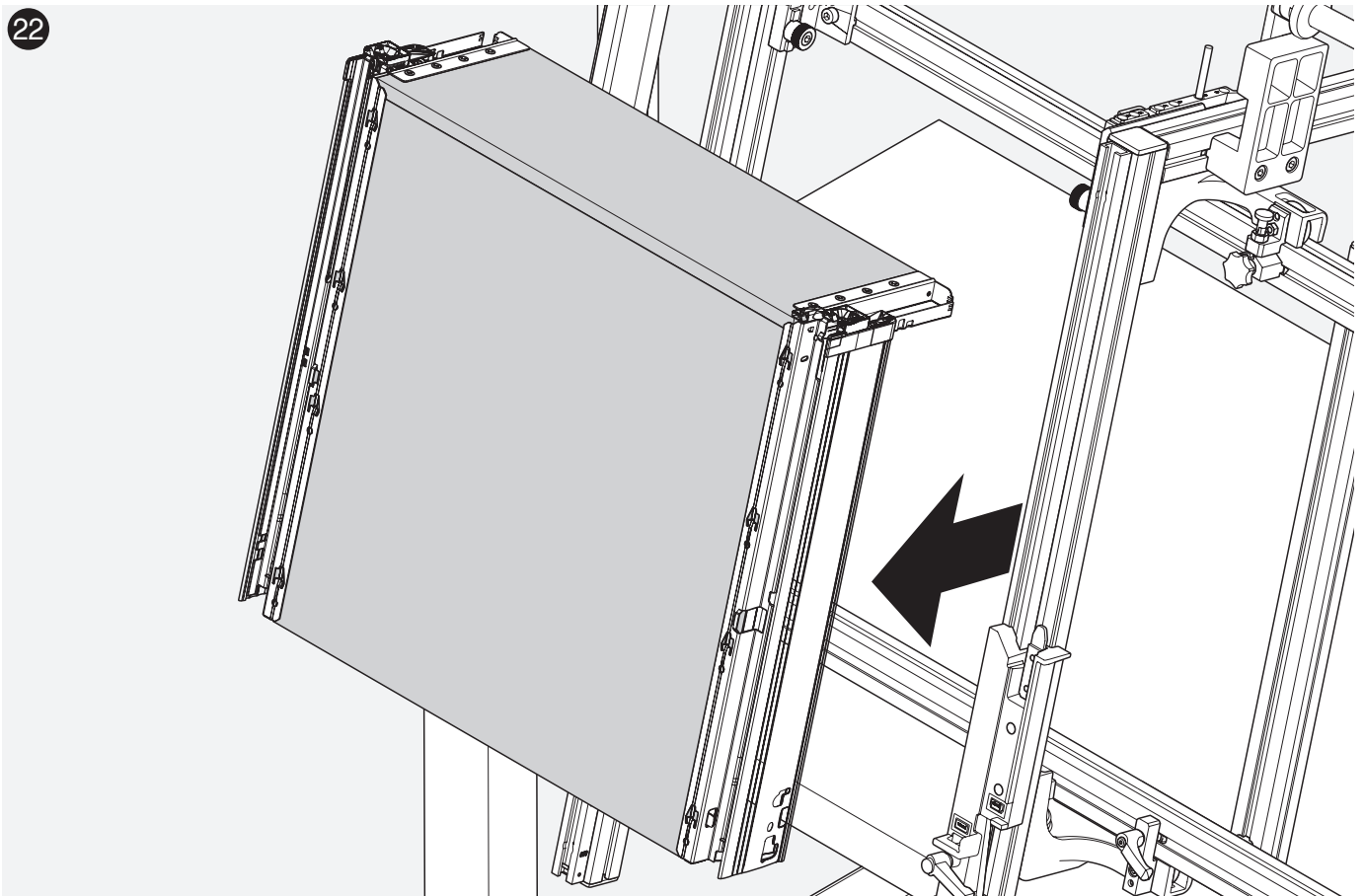


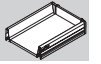


21

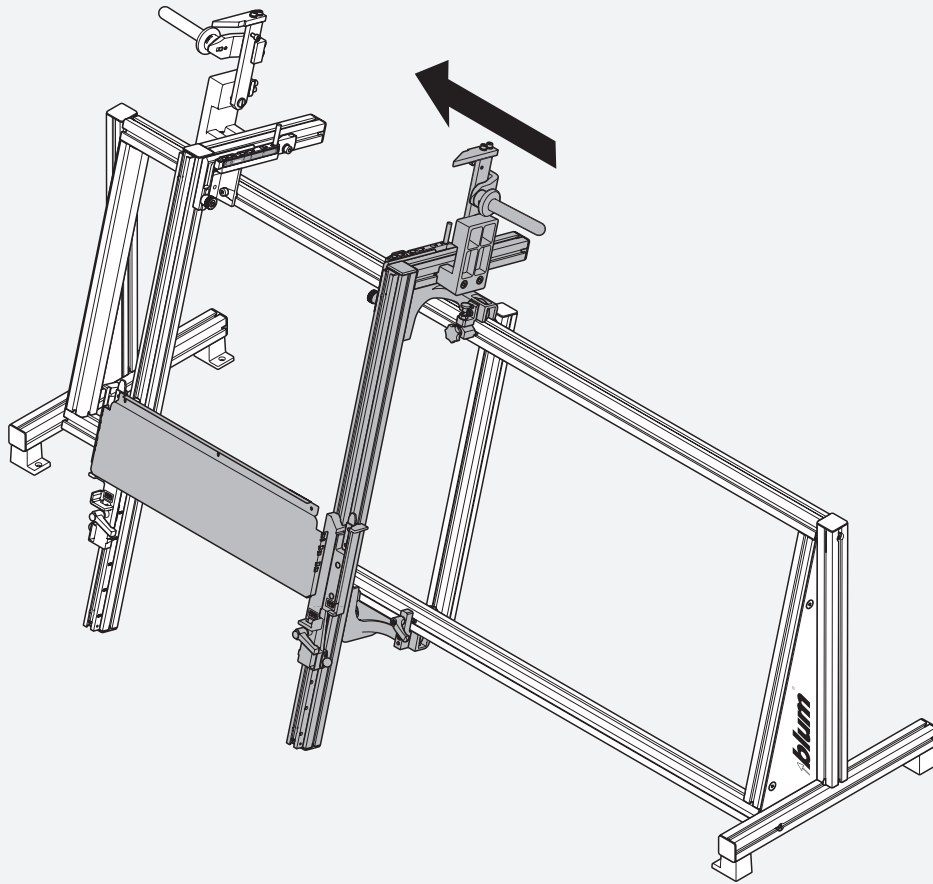


22

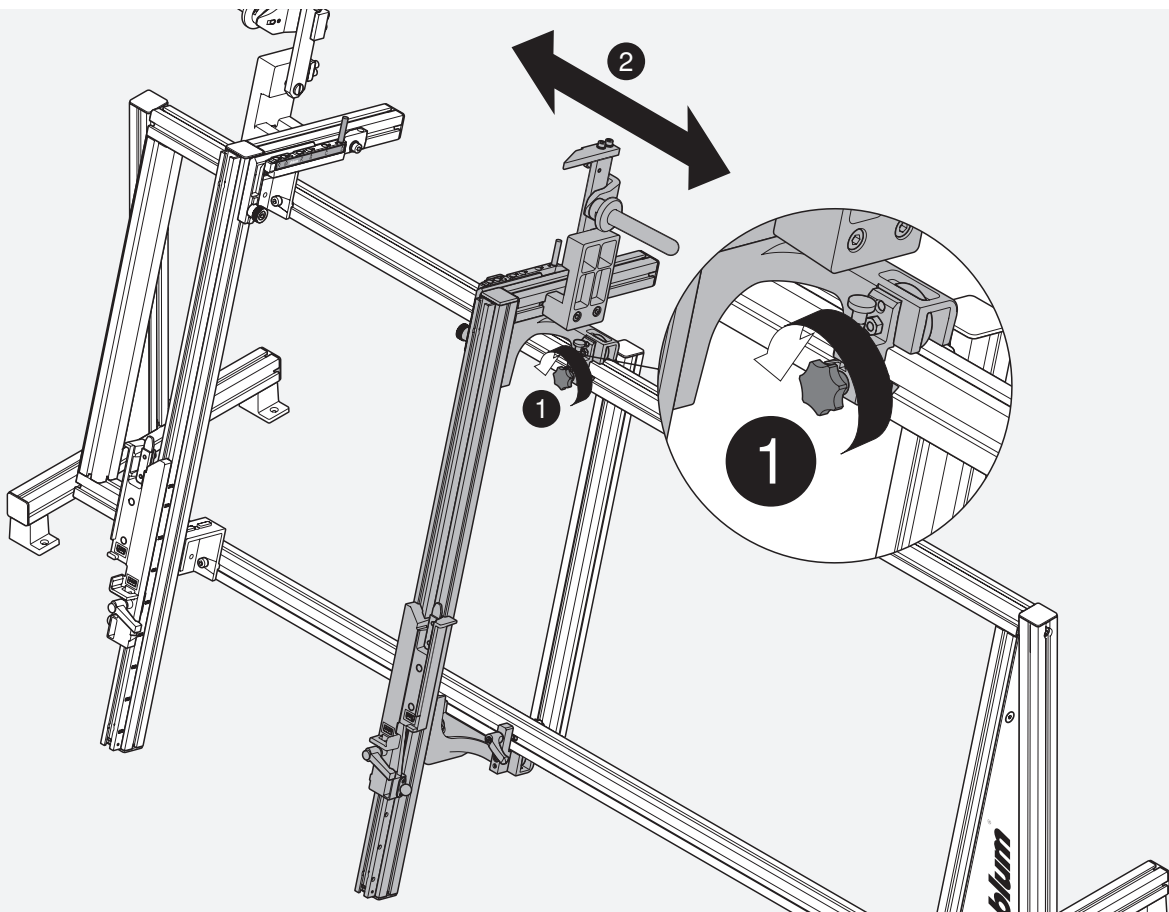


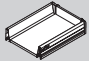


23

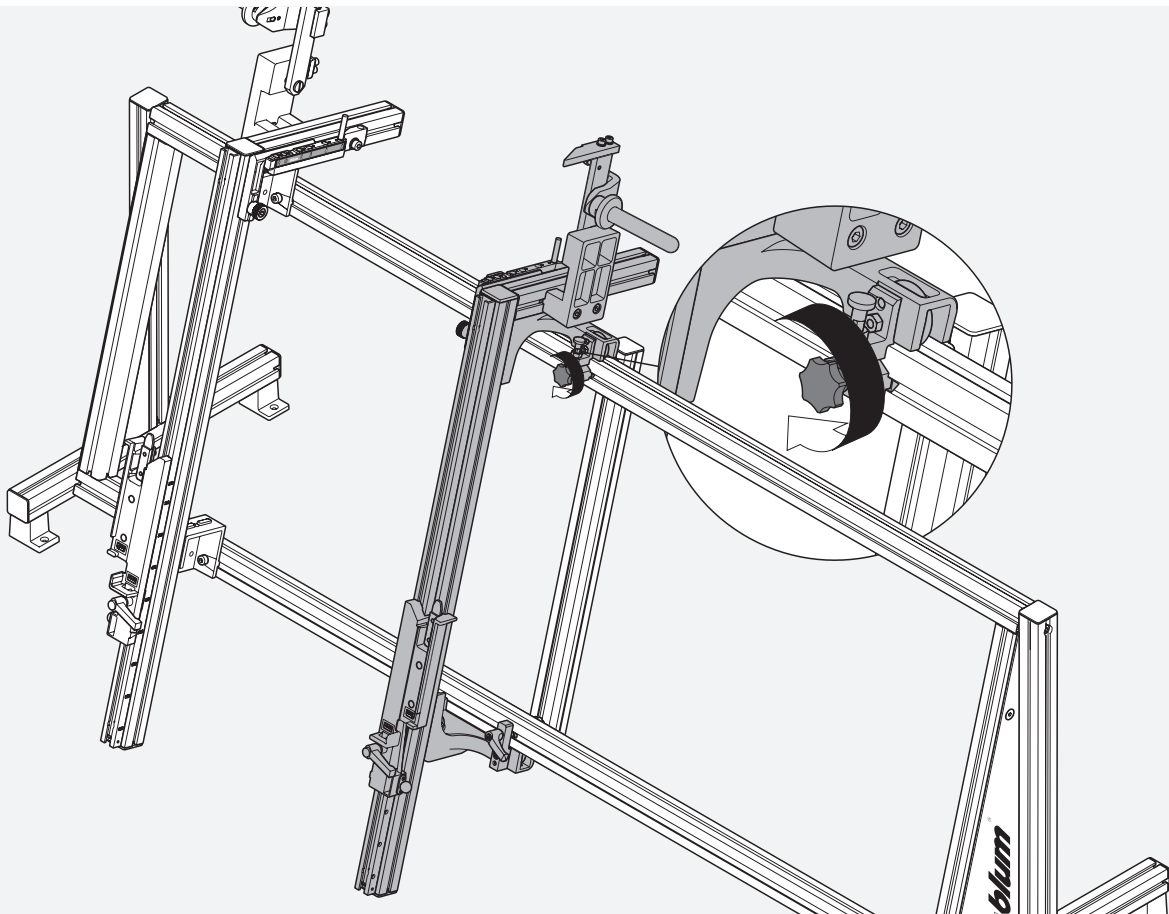


24

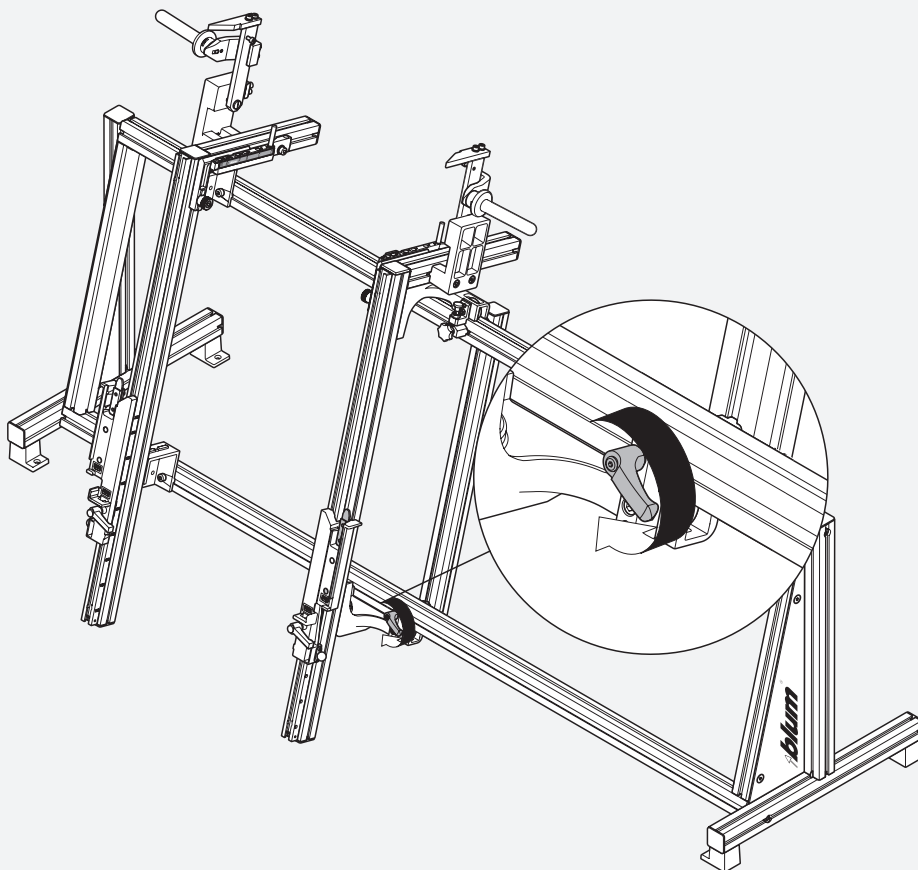


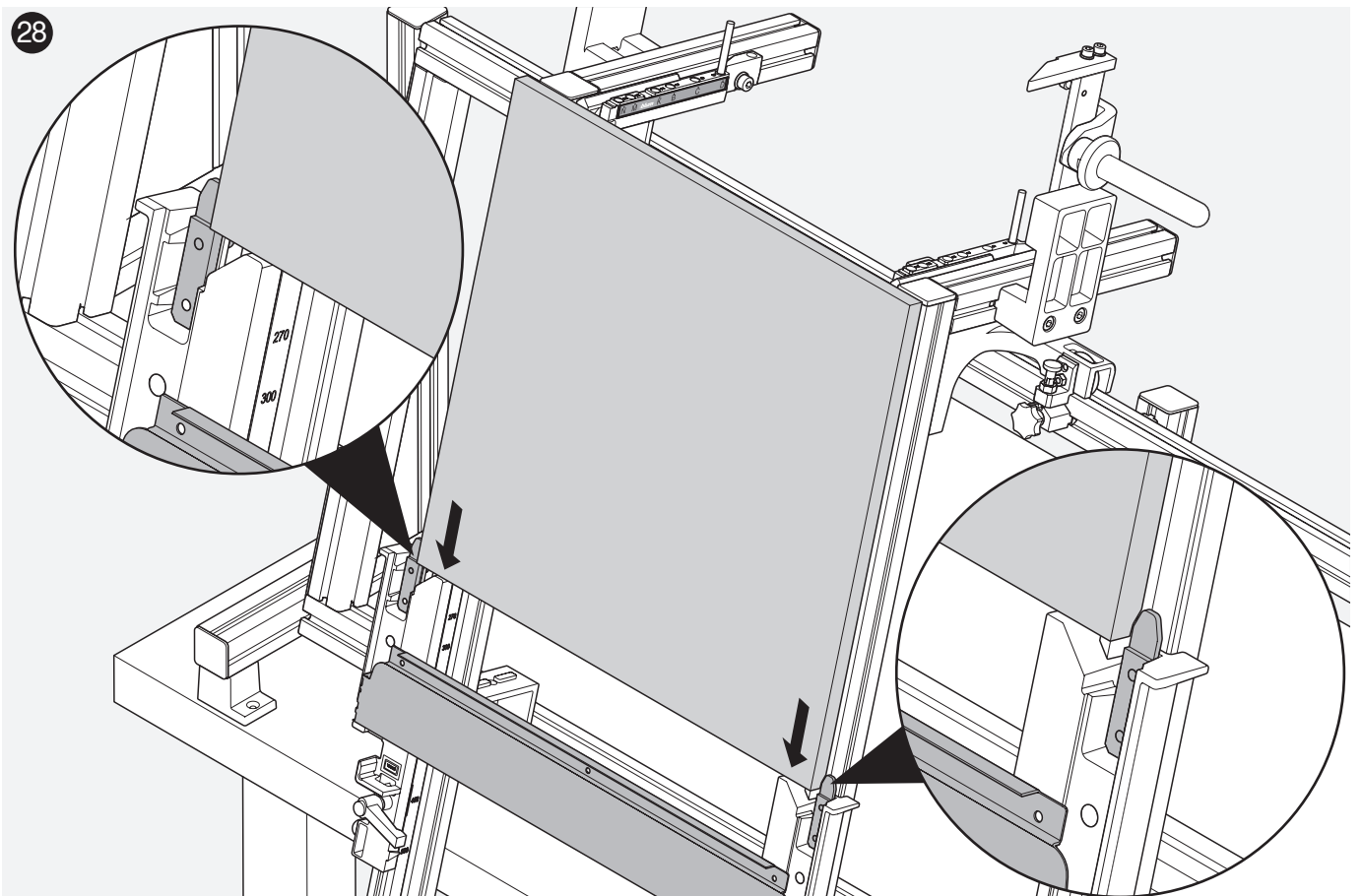
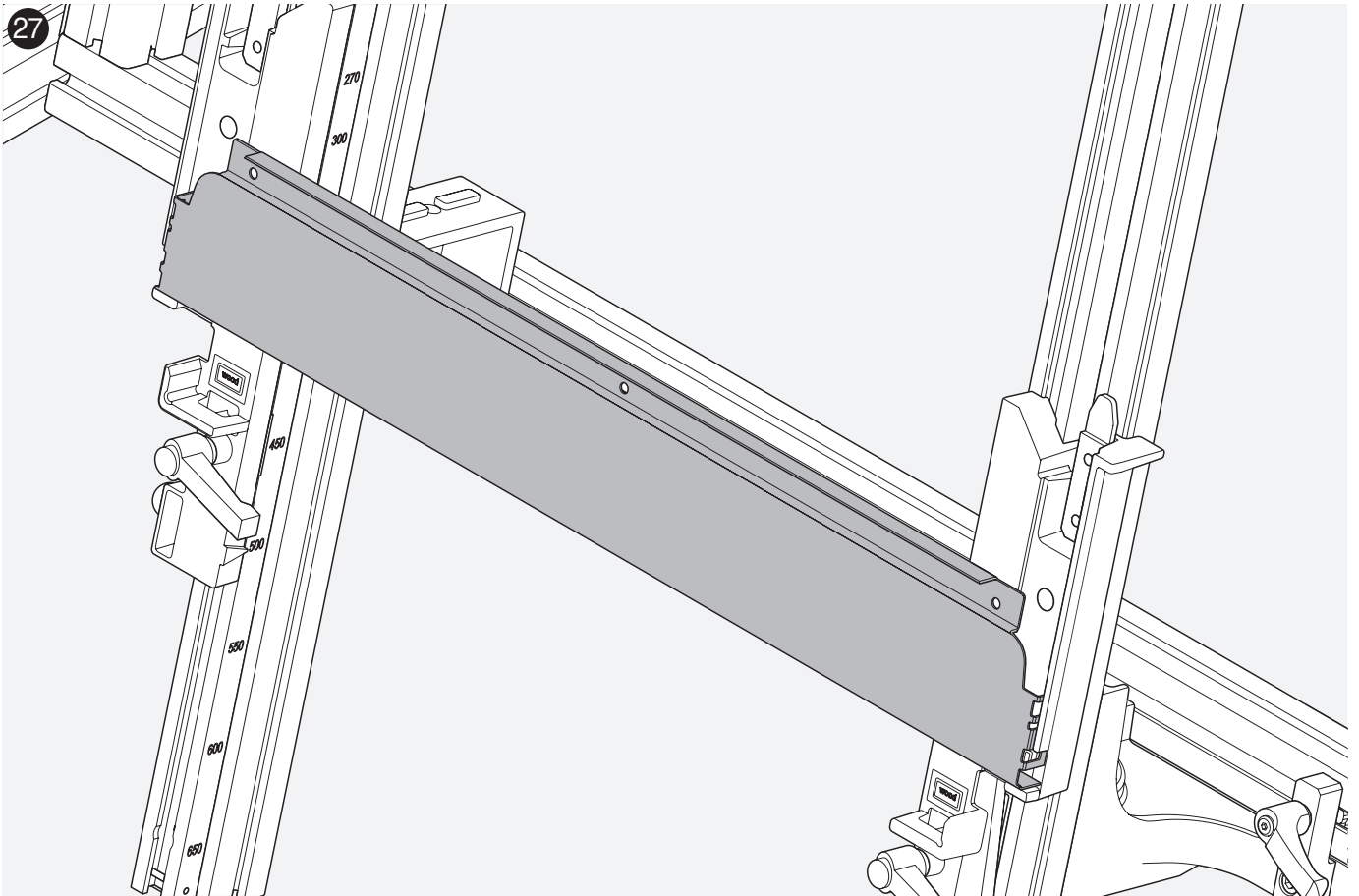
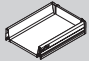


25



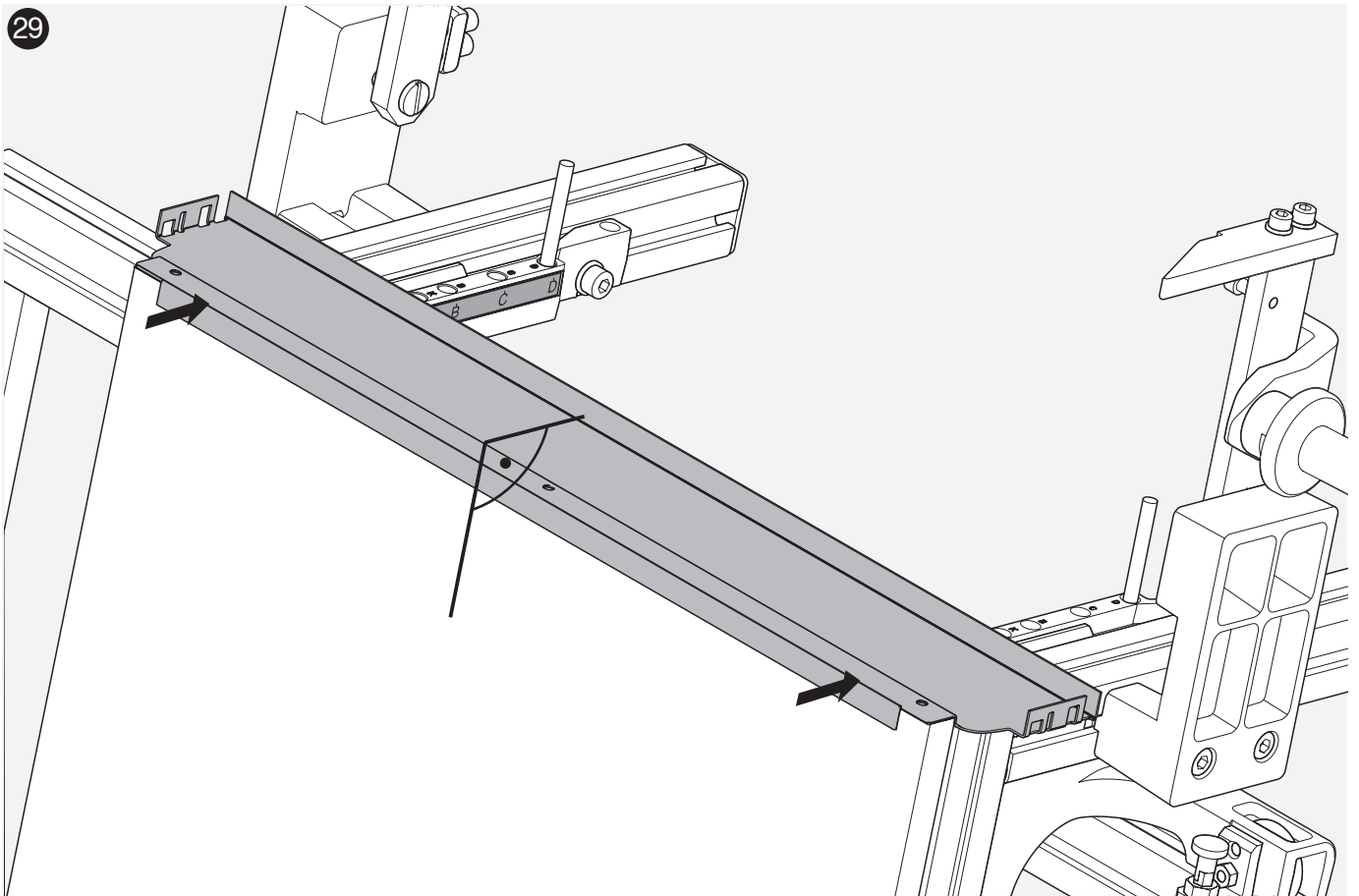
26



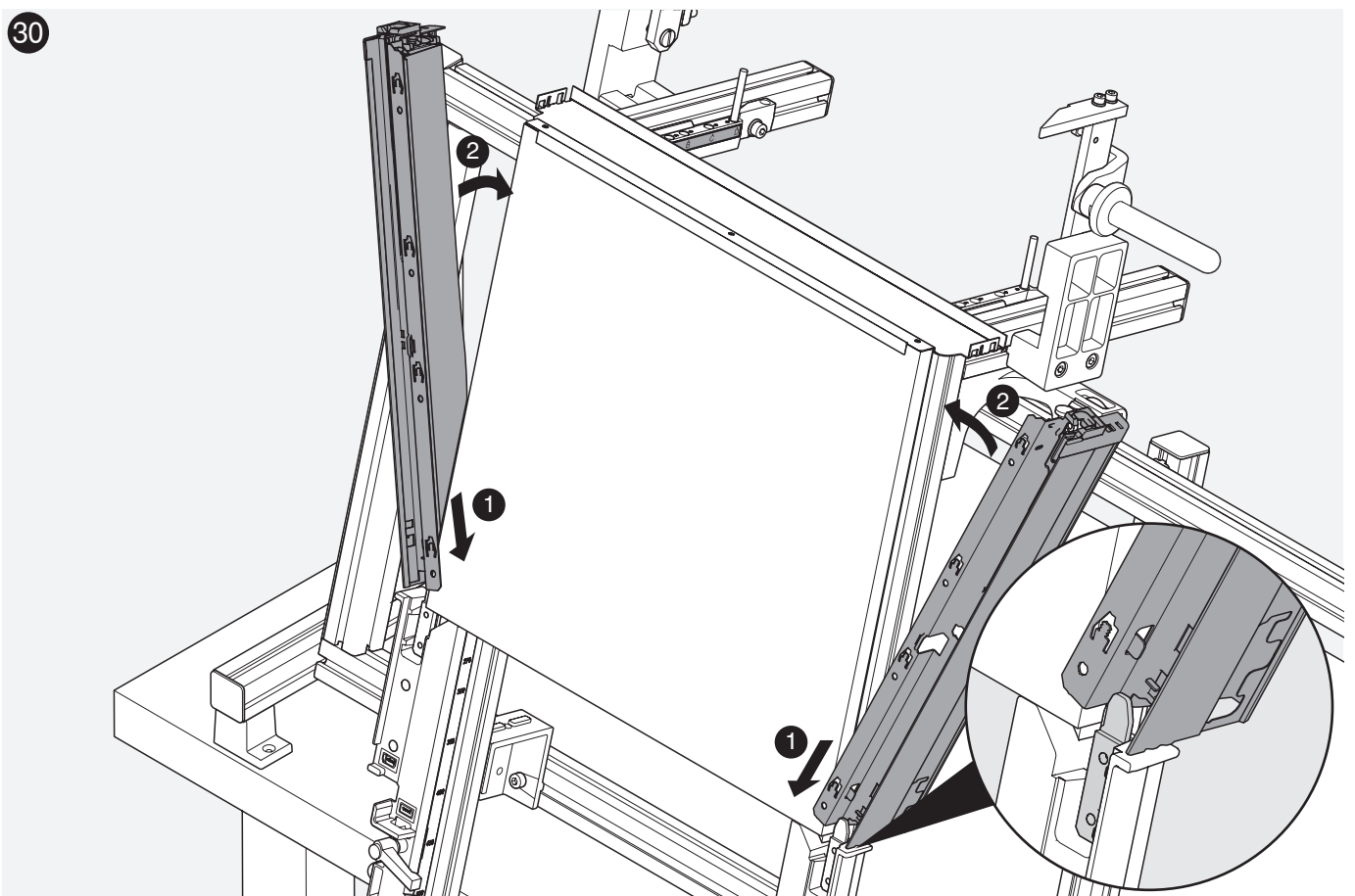




29

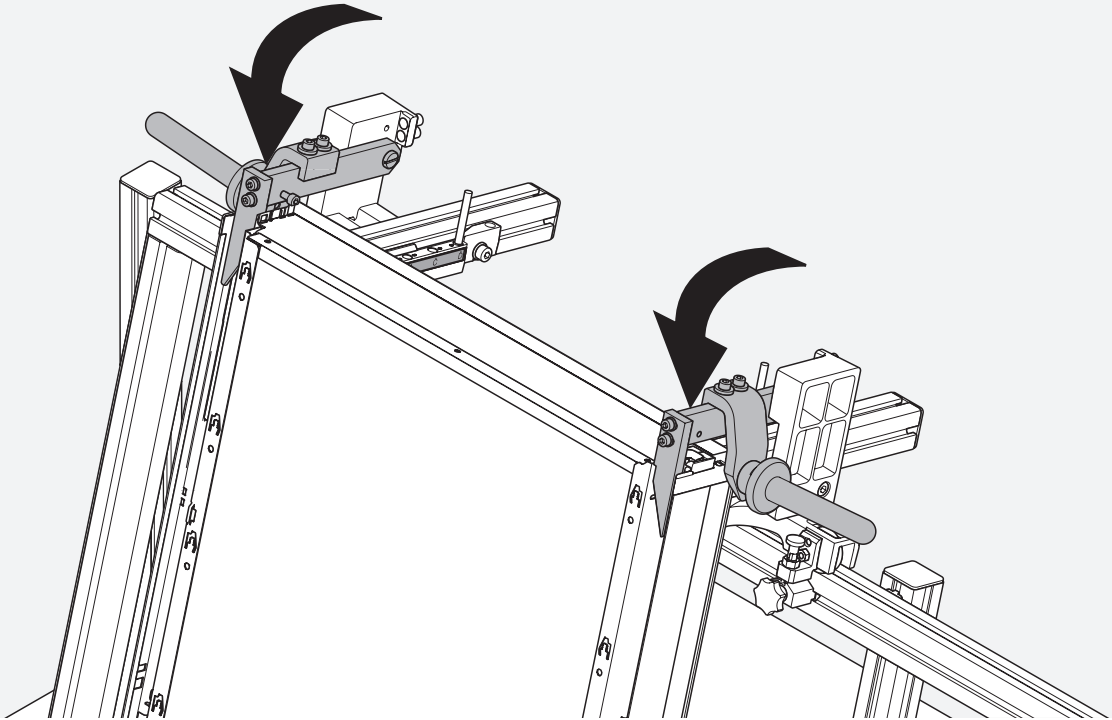


30

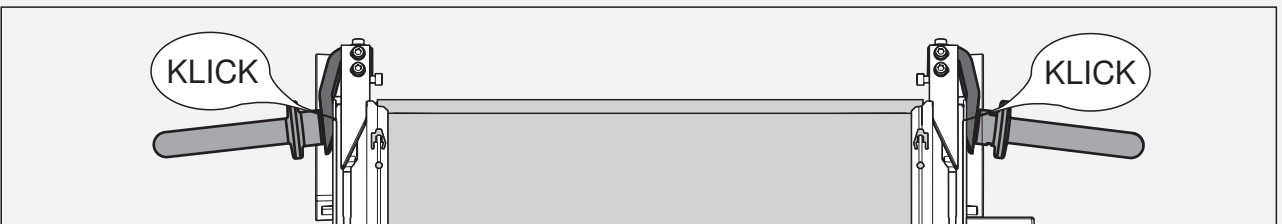
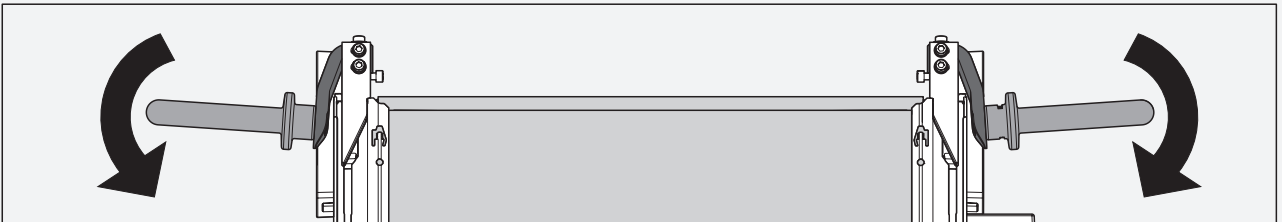


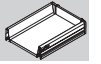


31

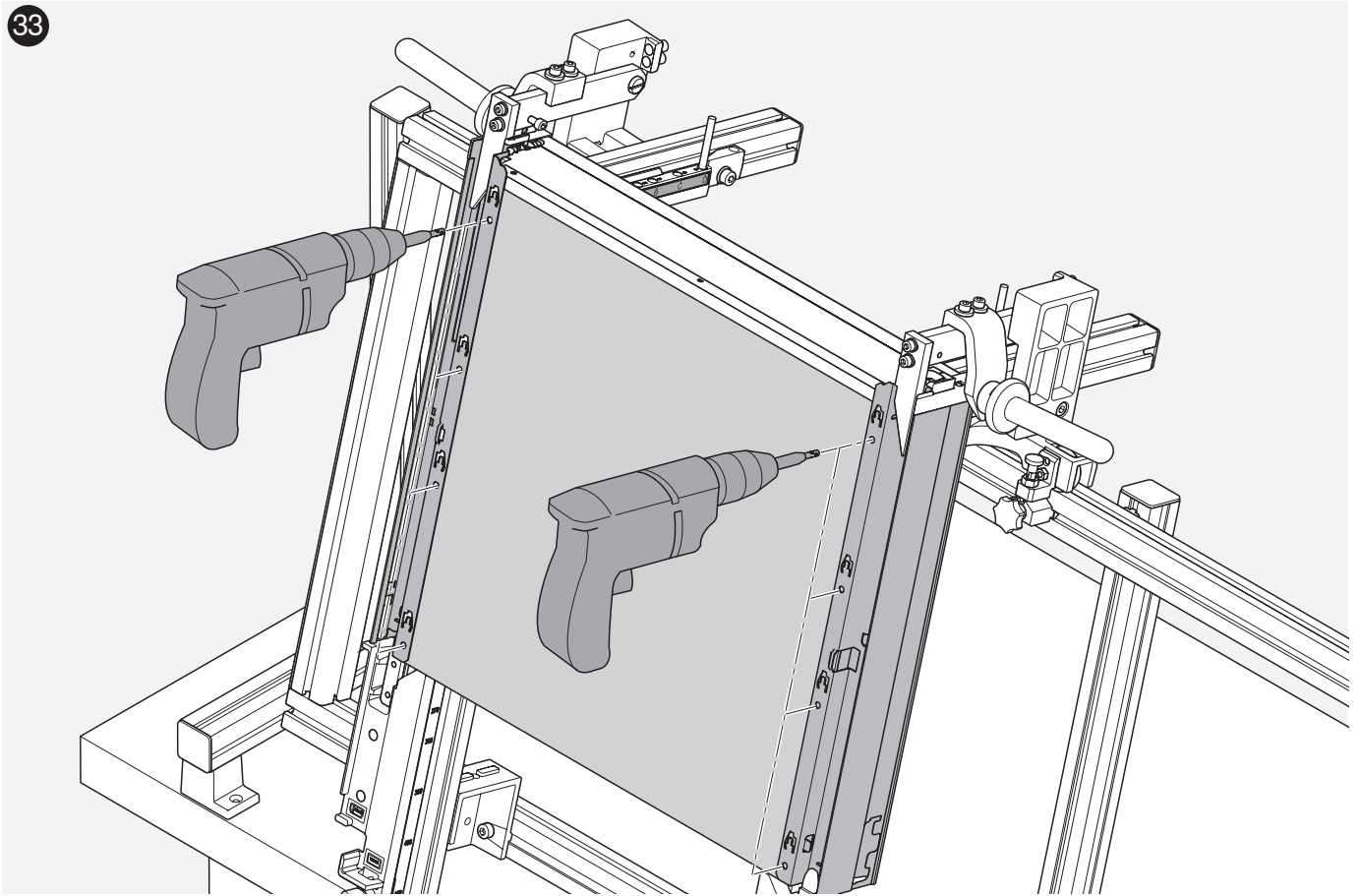


32

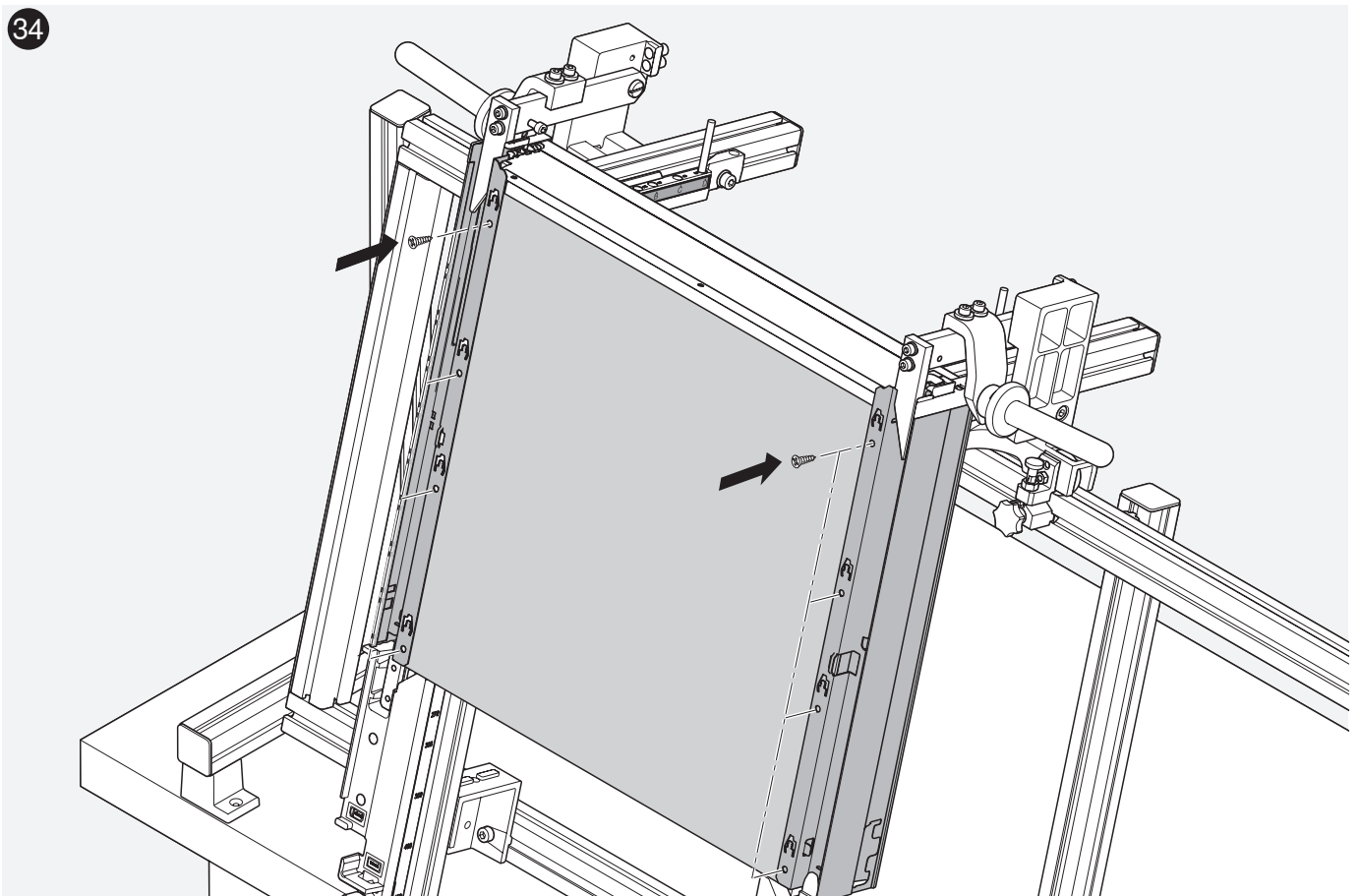




33

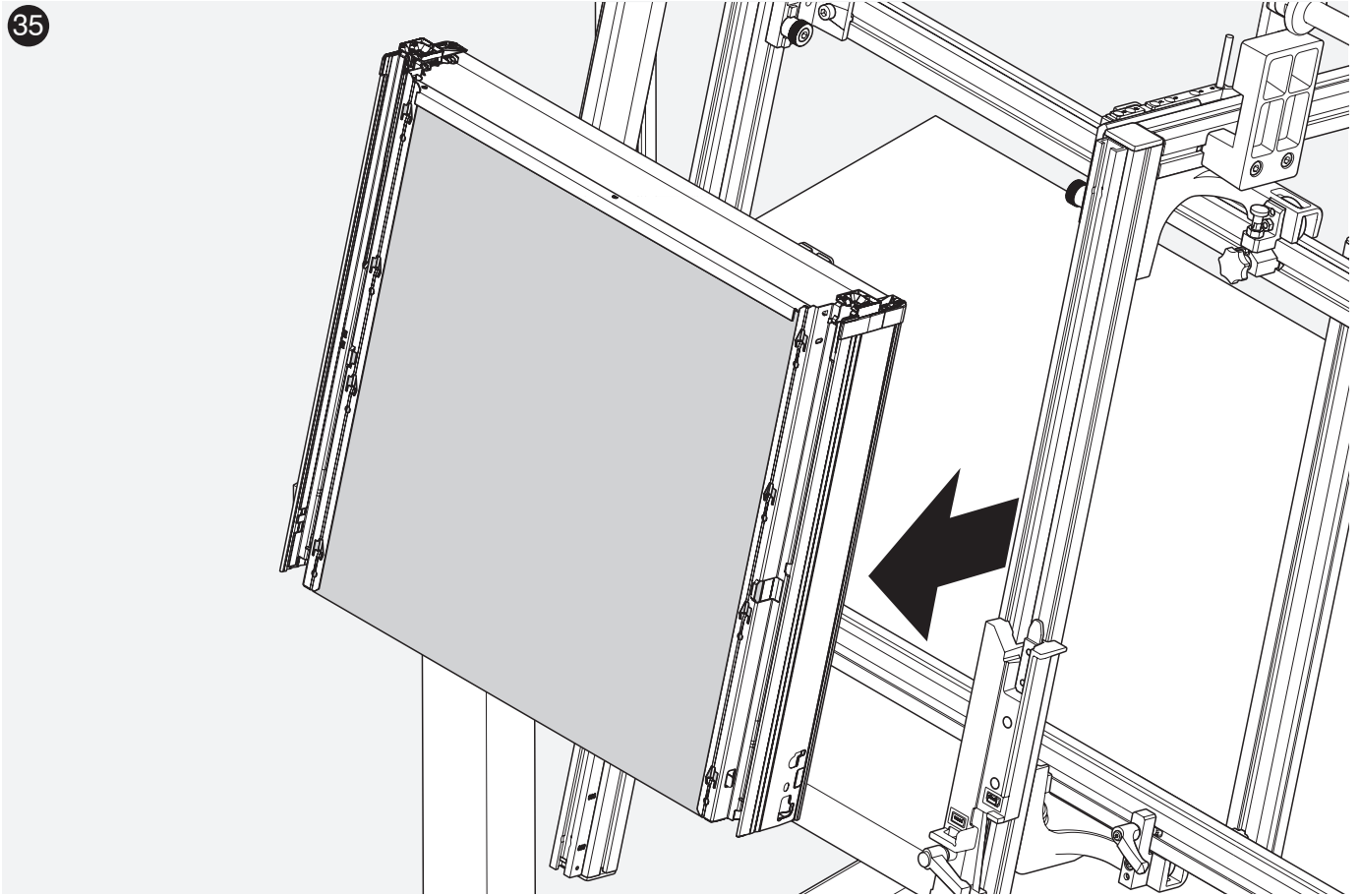


34





35



Julius Blum GmbH
Beschlägefabrik
6973 Höchst, Austria
Tel.: +43 5578 705-0
Fax: +43 5578 705-44
E-Mail: info@blum.com
www.blum.com



 **blum**®