

ZMM.7350 BOXFIX PRO

ML

The Blum logo consists of a stylized arrow pointing upwards and to the right, followed by the word "blum" in a bold, lowercase, sans-serif font. A registered trademark symbol (®) is located at the top right of the logo.

BA-104/3ML ZMM.7350

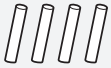
unpacking / BOXFIX PRO footprint



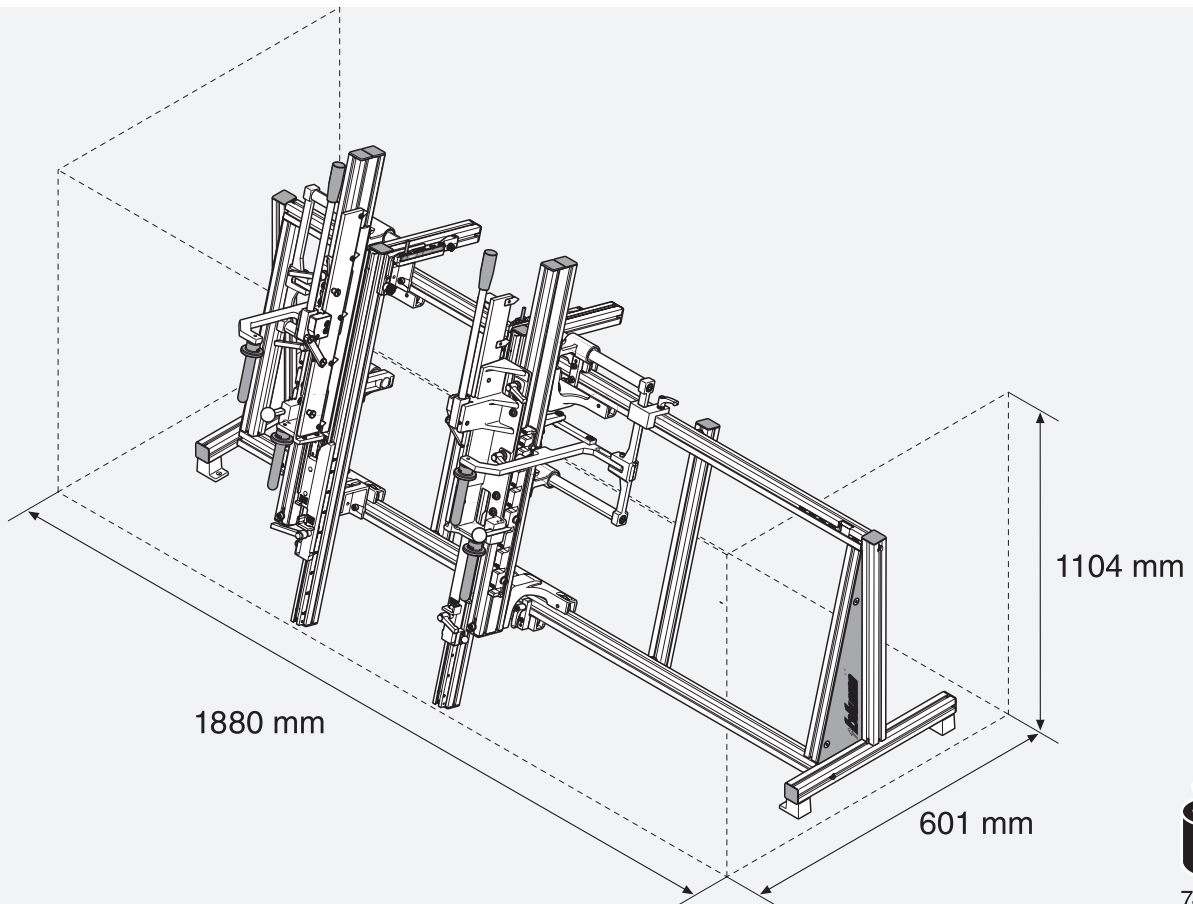
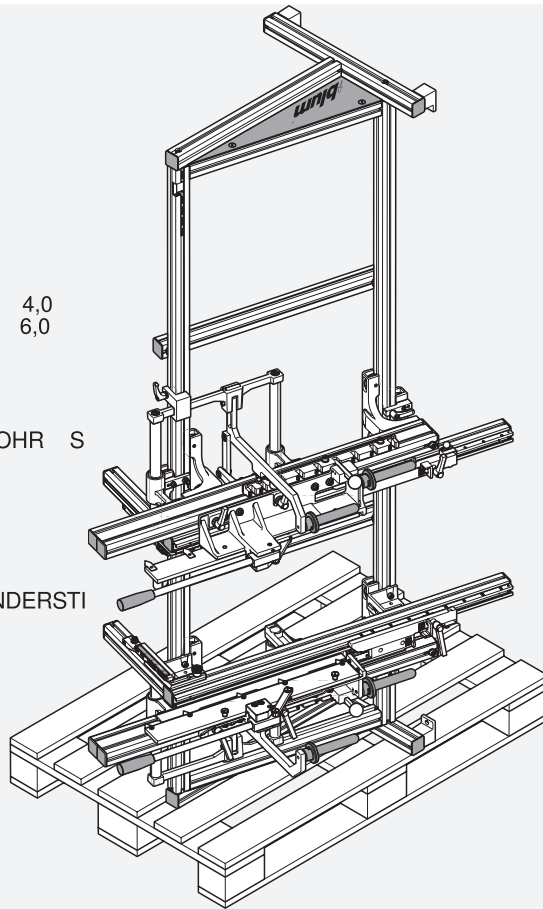
- 1x 5771620 STIFTSCHL.KURZ 4,0
- 1x 5771710 STIFTSCHL.KURZ 6,0



- 1x 7542934 M01.ZZ03 ZENT-BOHR S

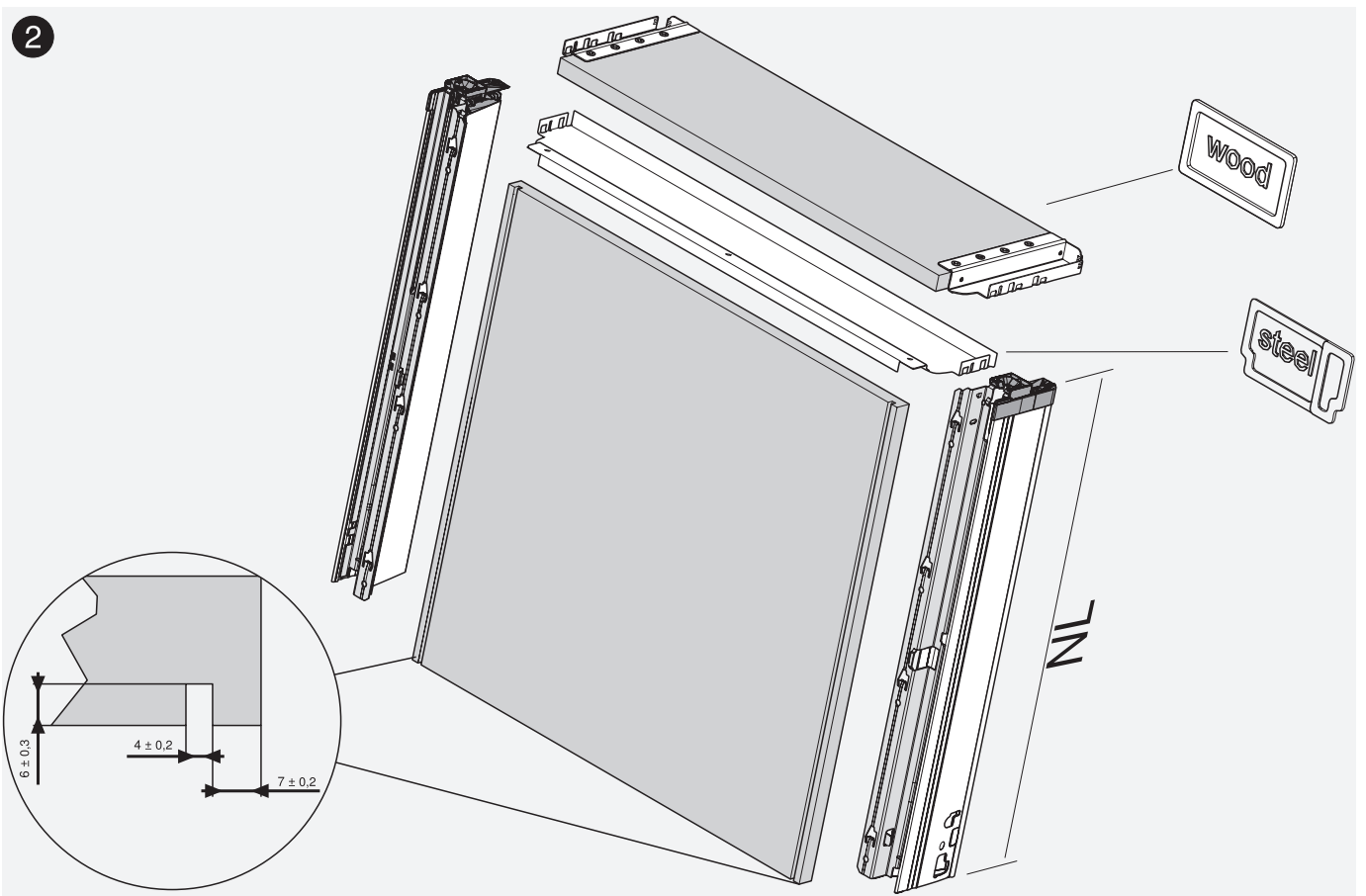
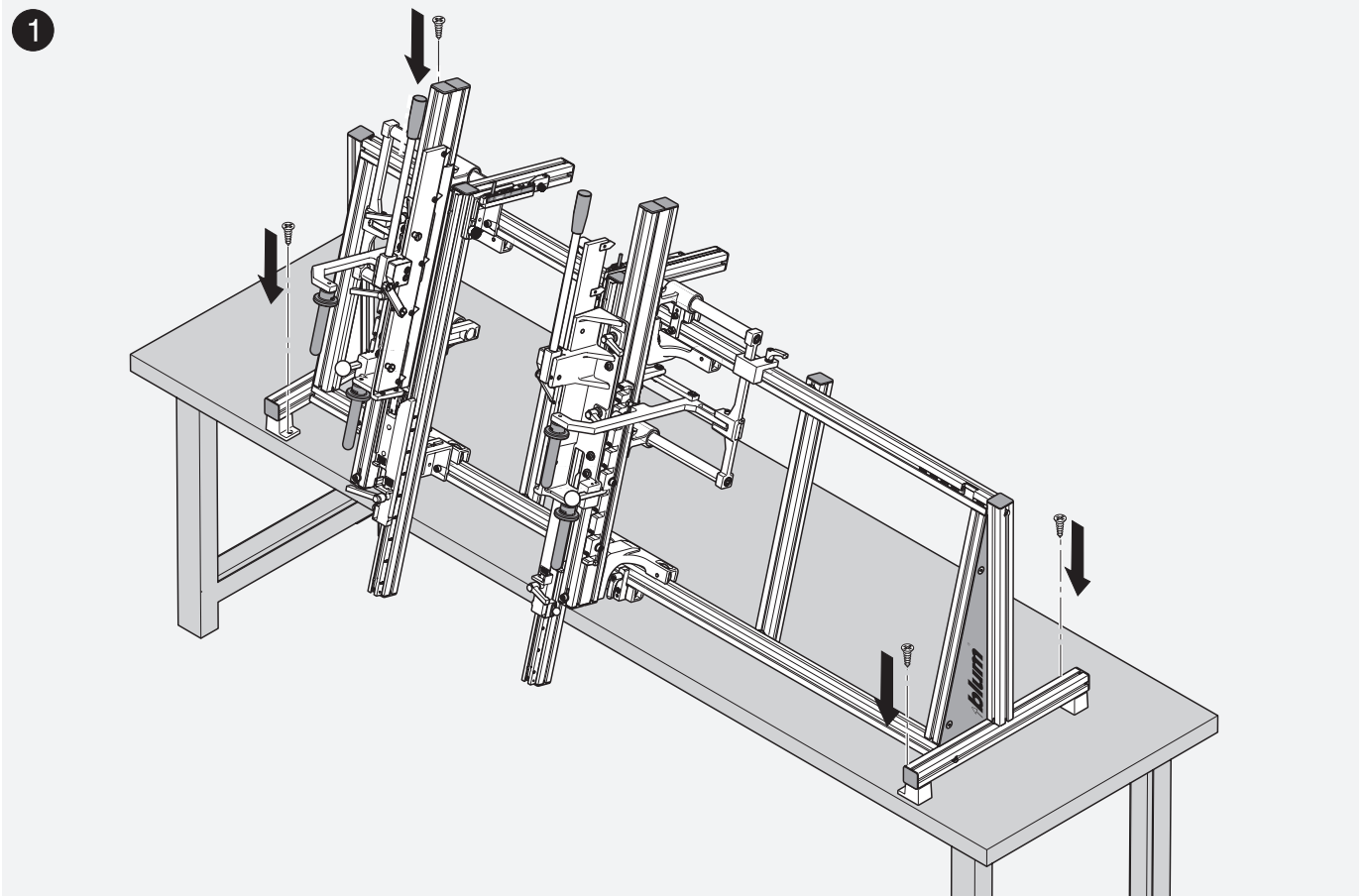


- 4x 0401000 DIN6325 8X80 ZYLINDERSTI

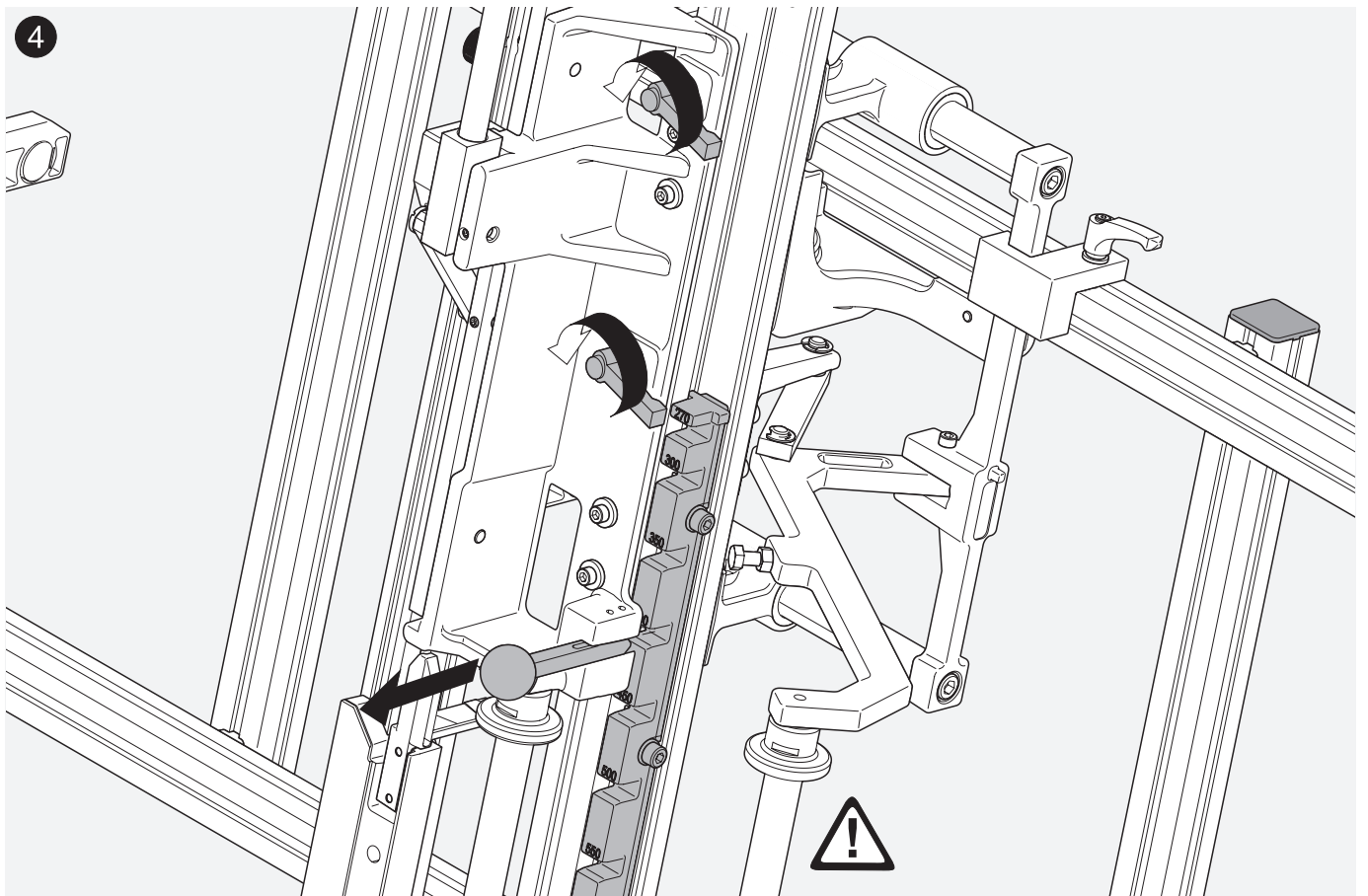
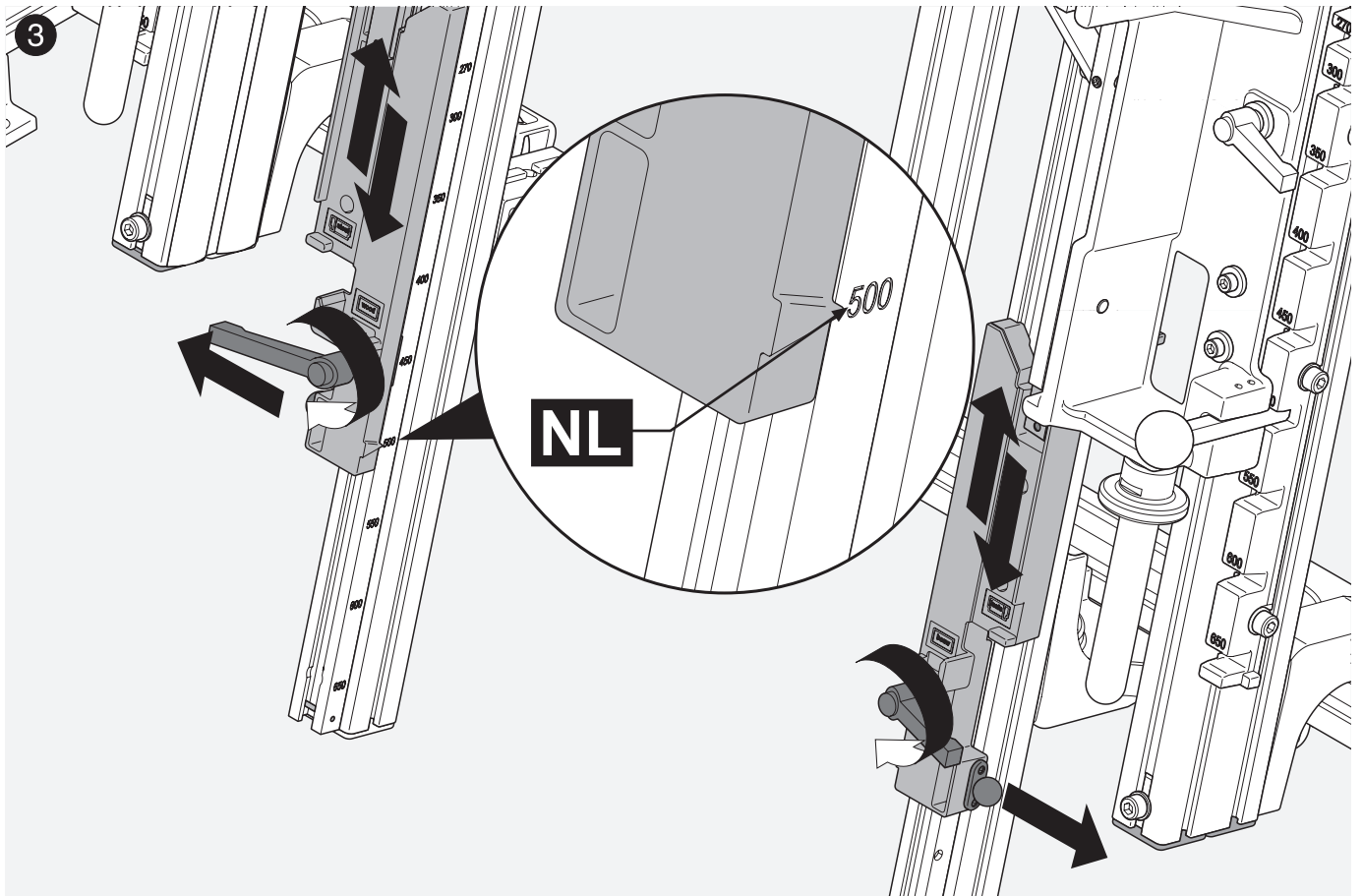


74 kg

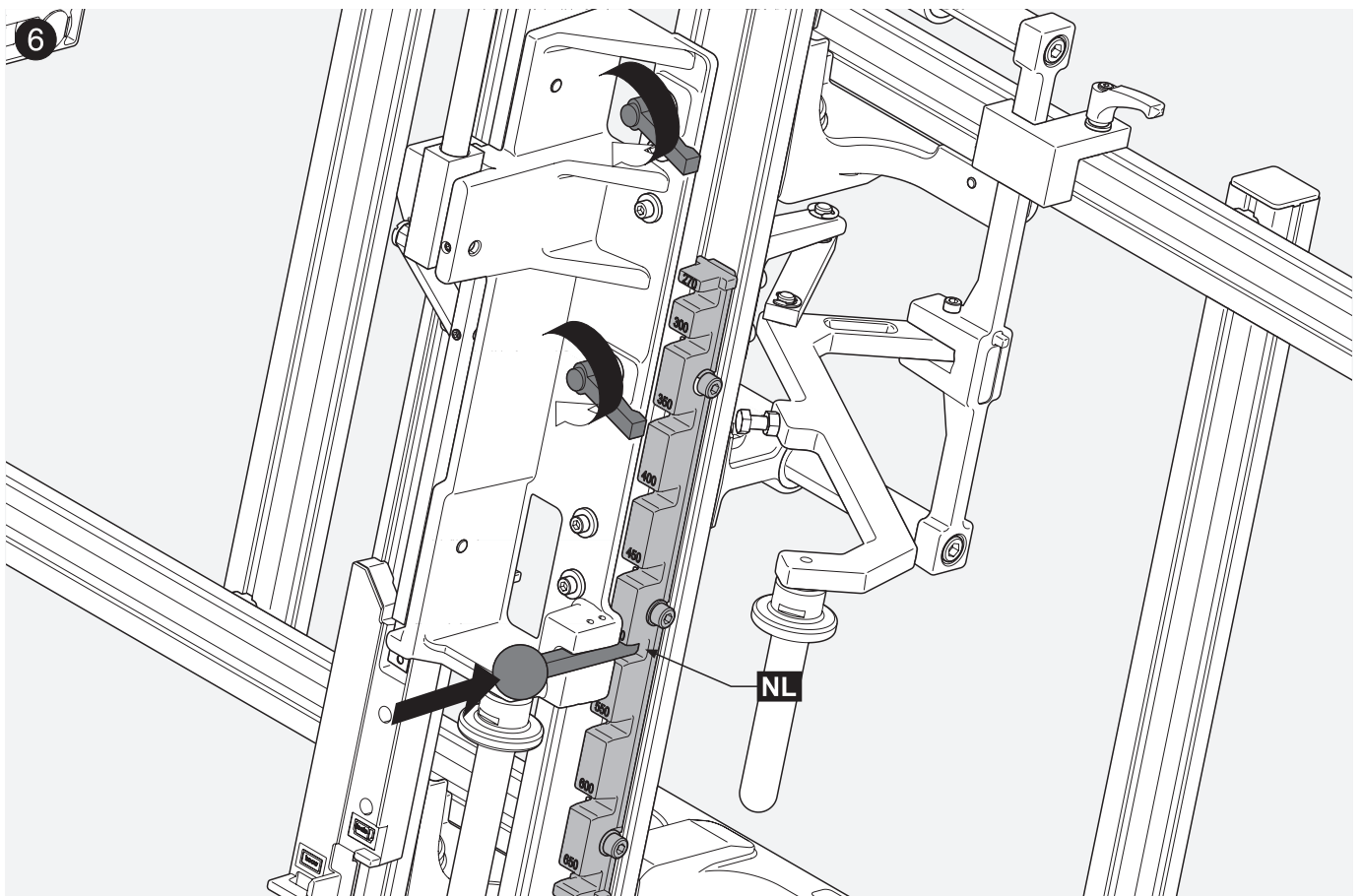
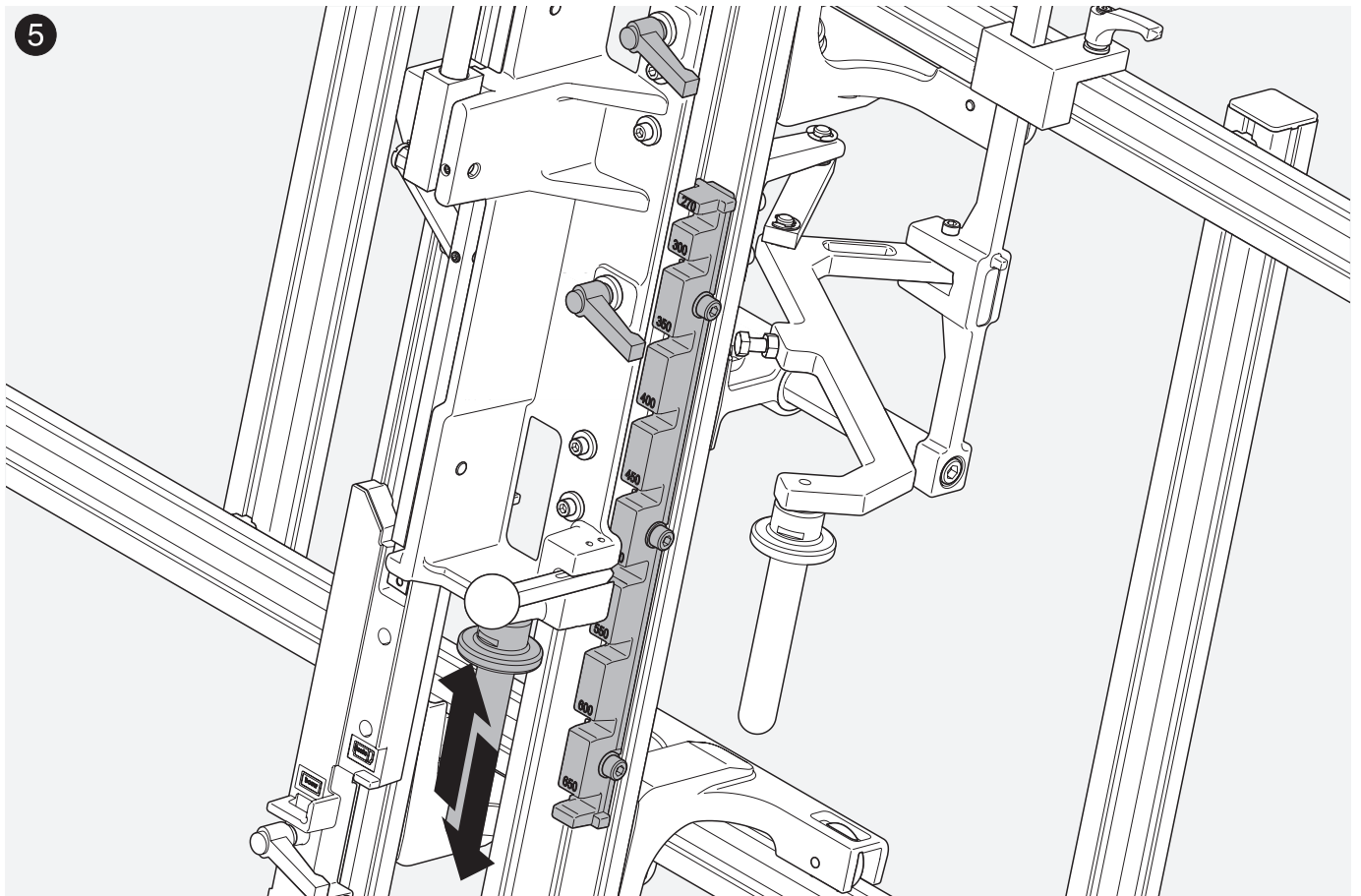
fasten it to suitable table



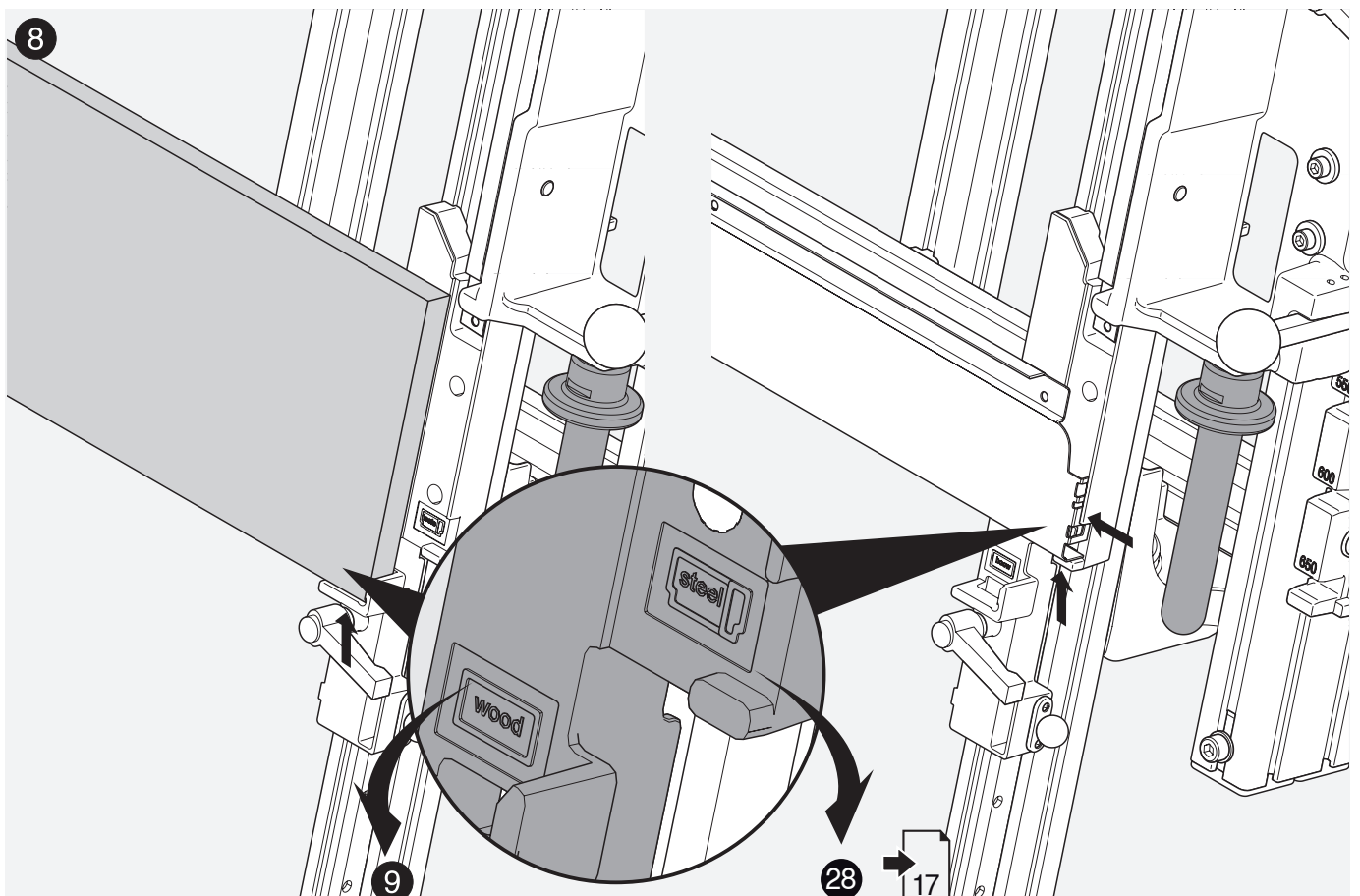
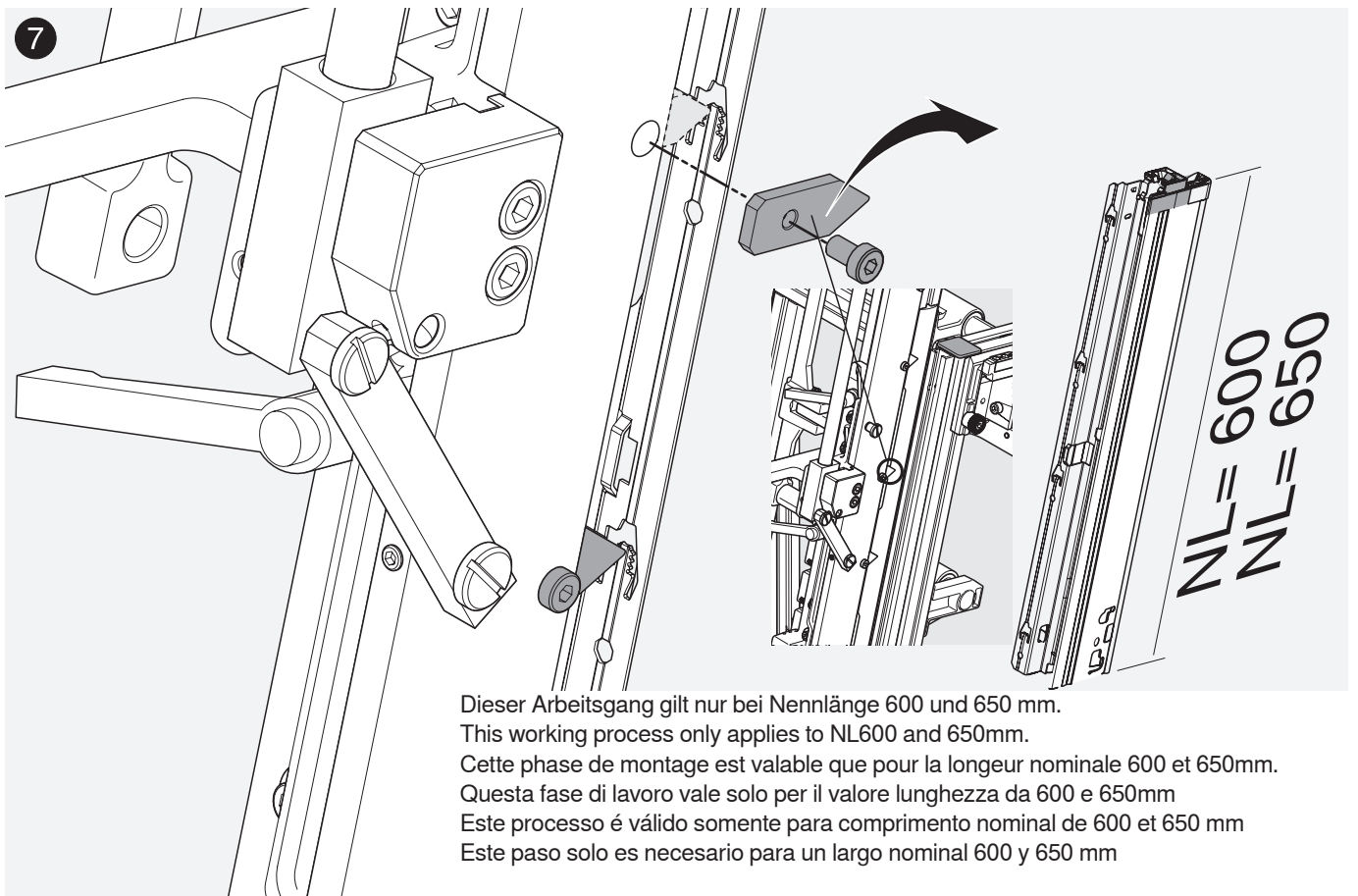
set-up



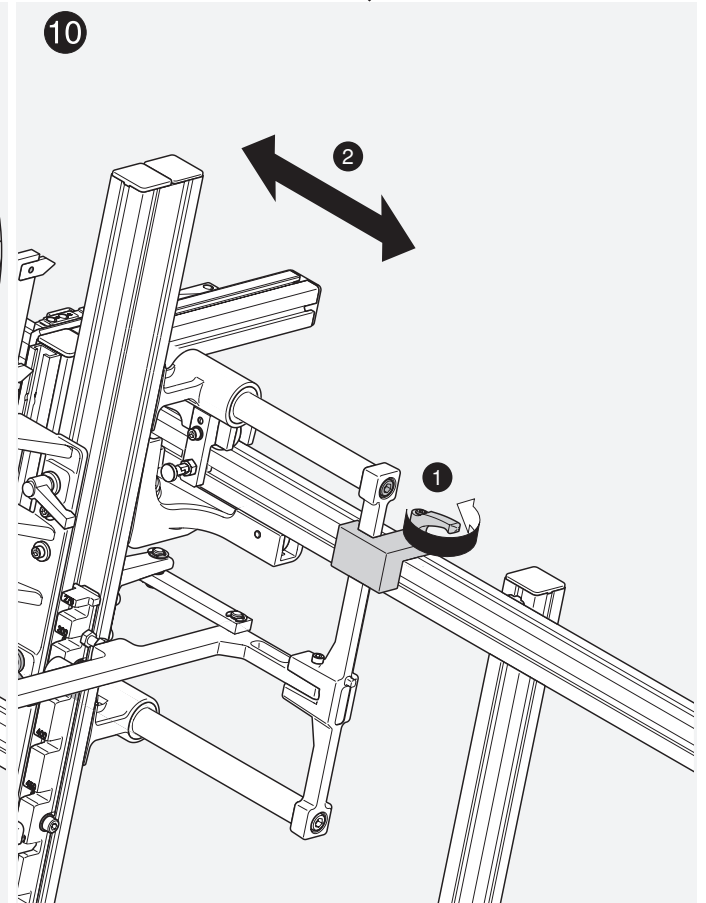
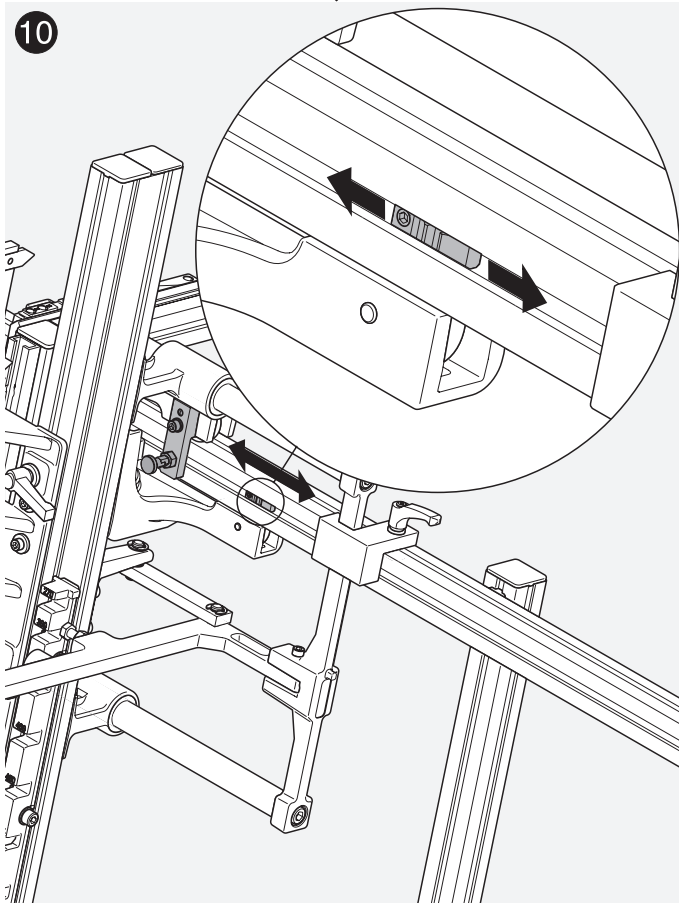
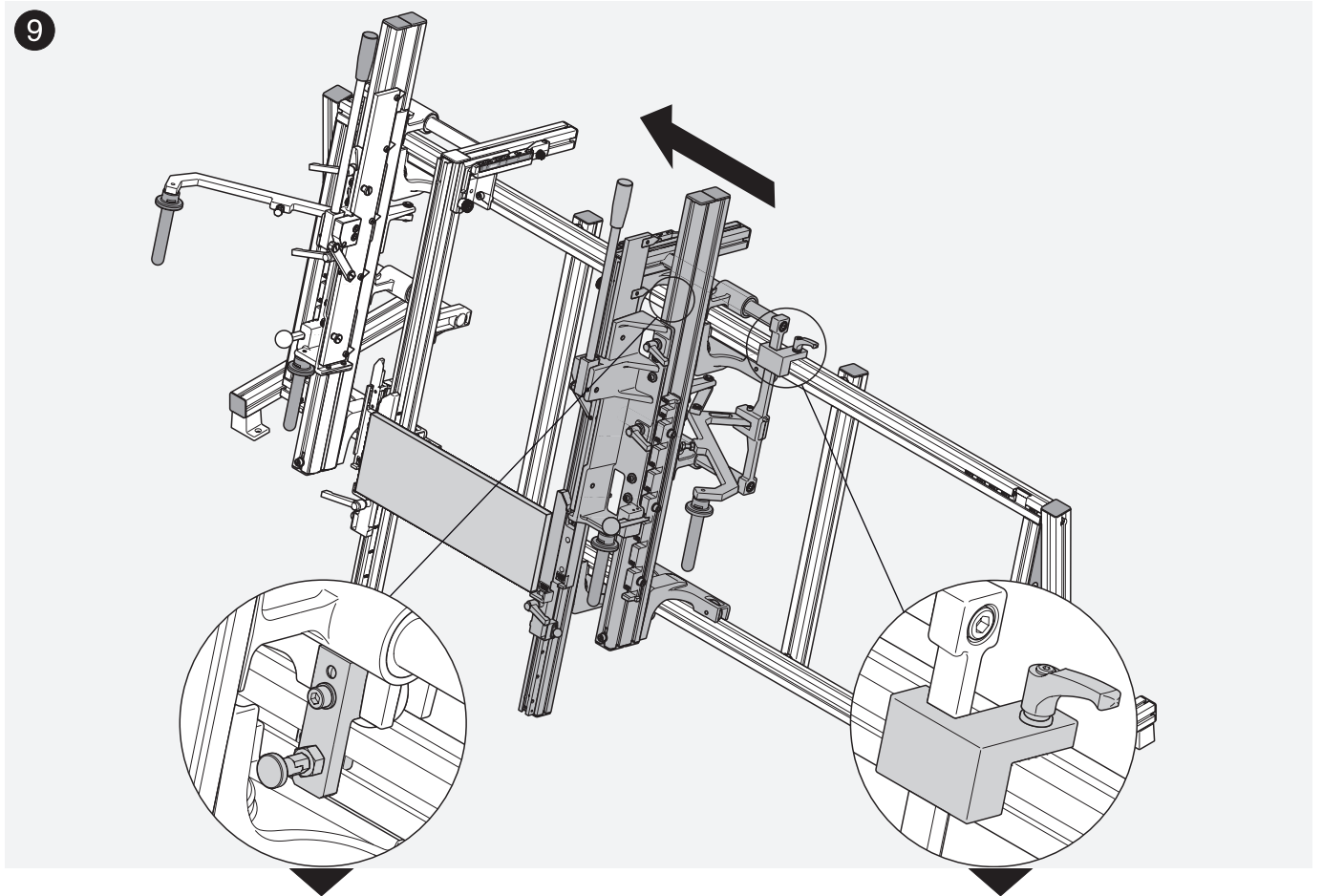
set-up



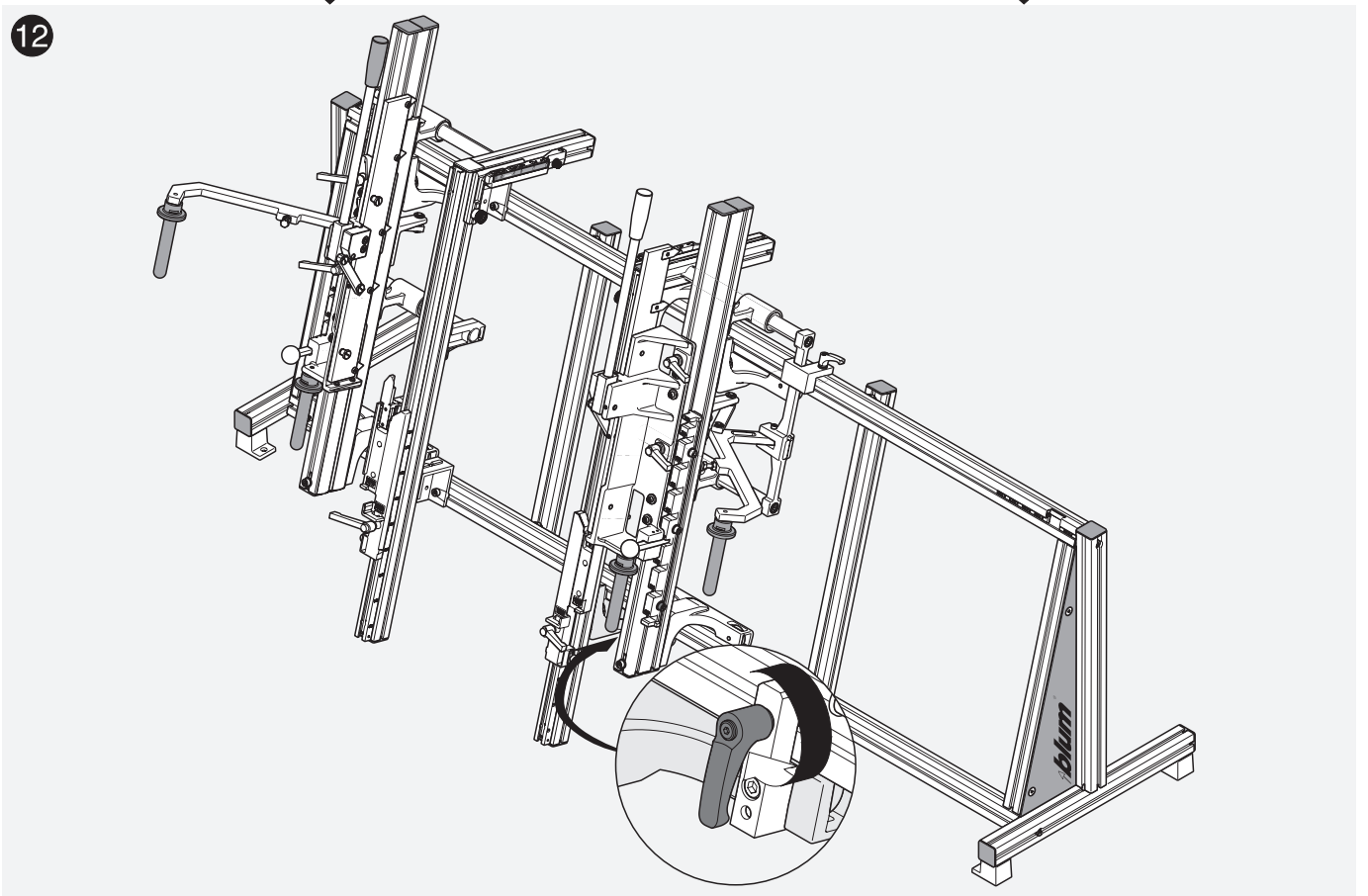
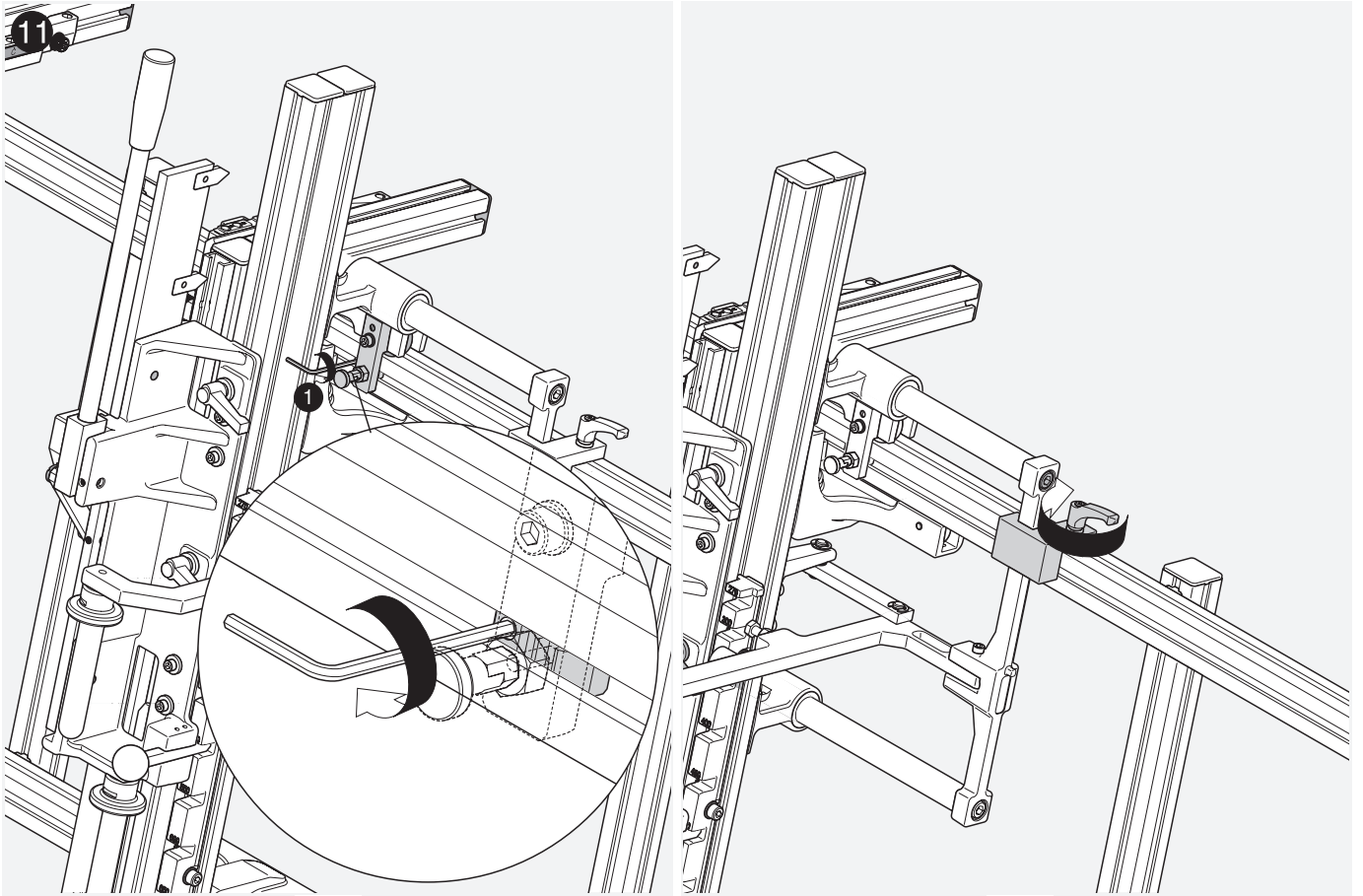
set-up



set-up

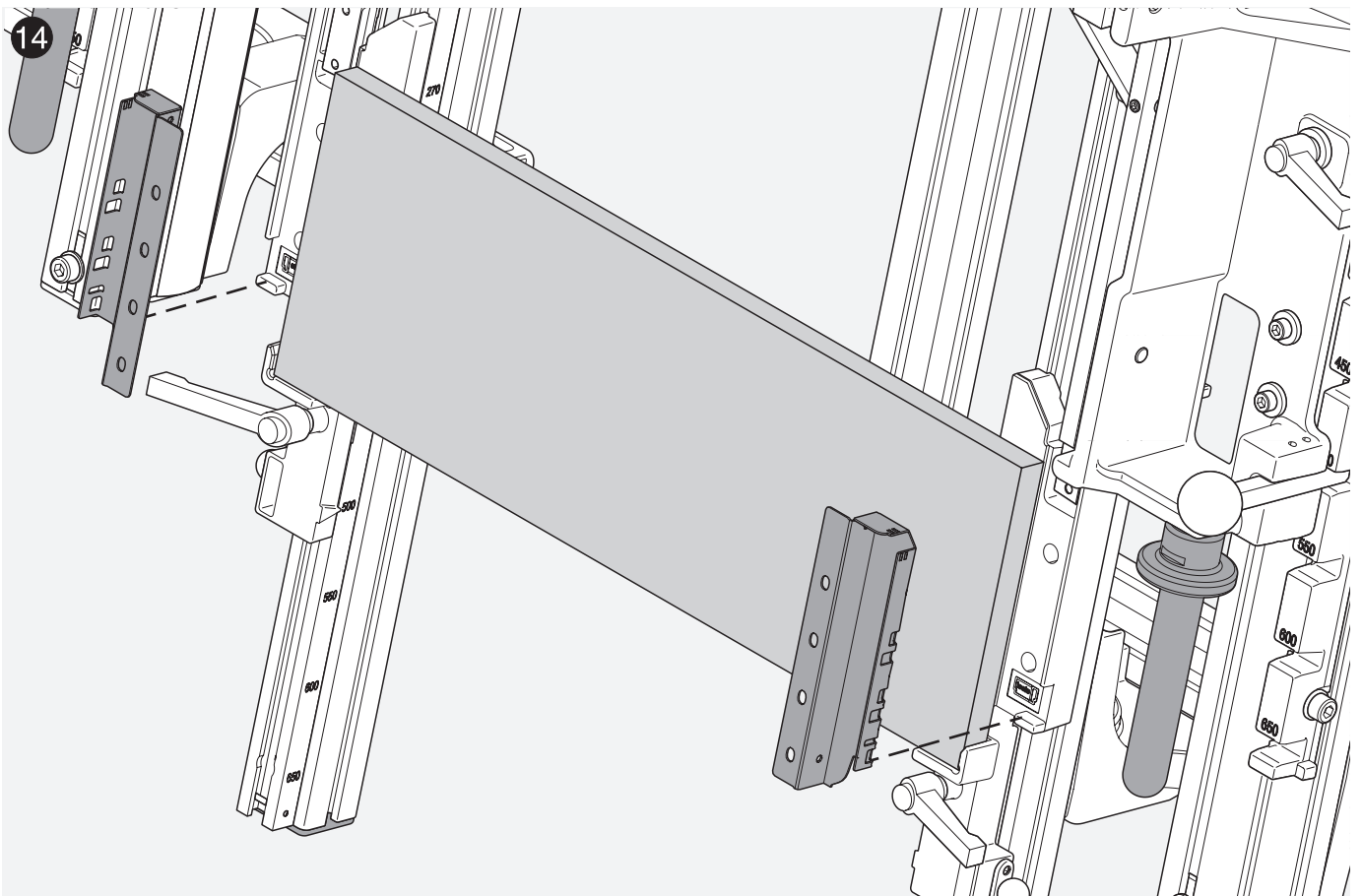
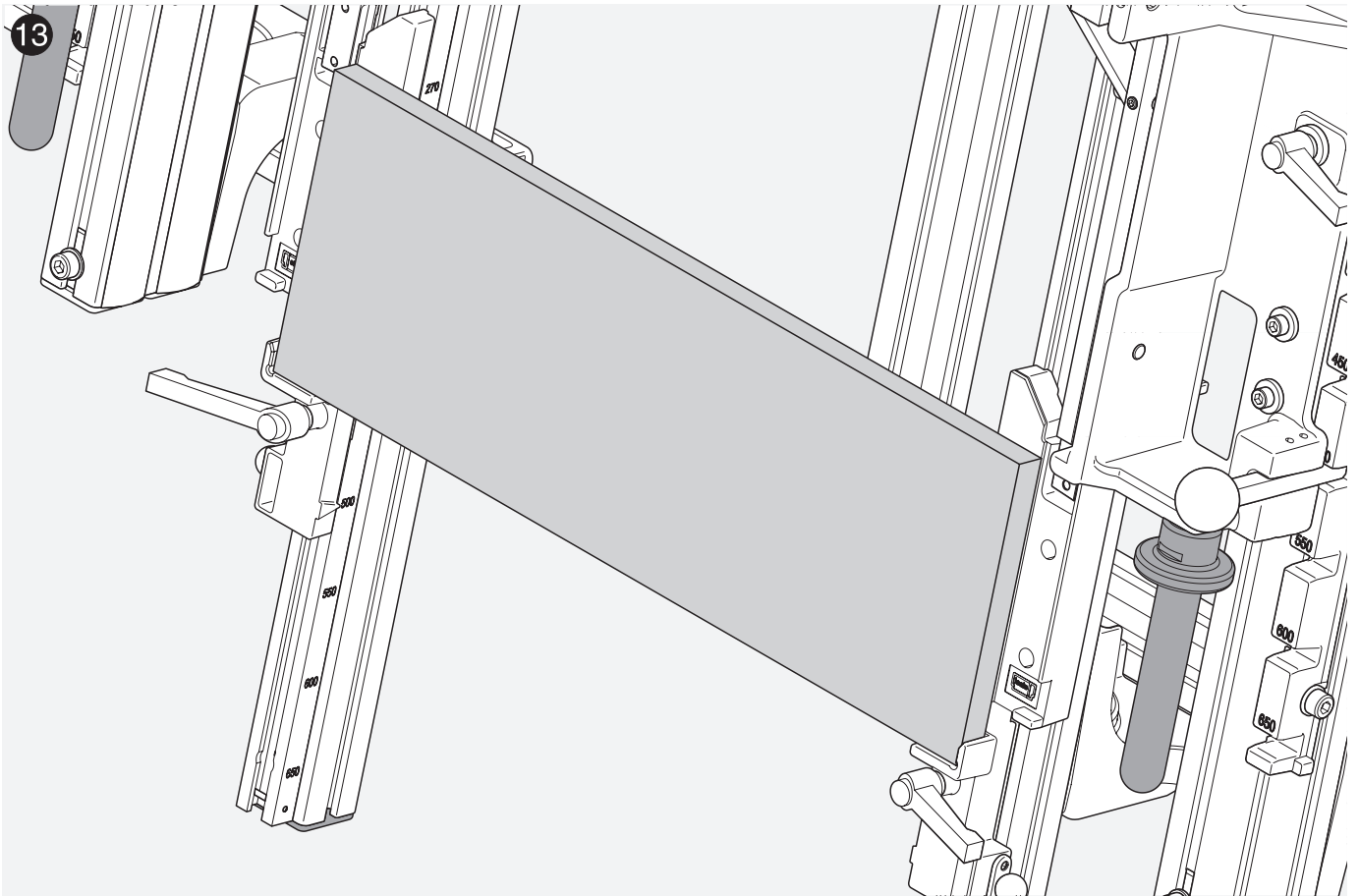


set-up



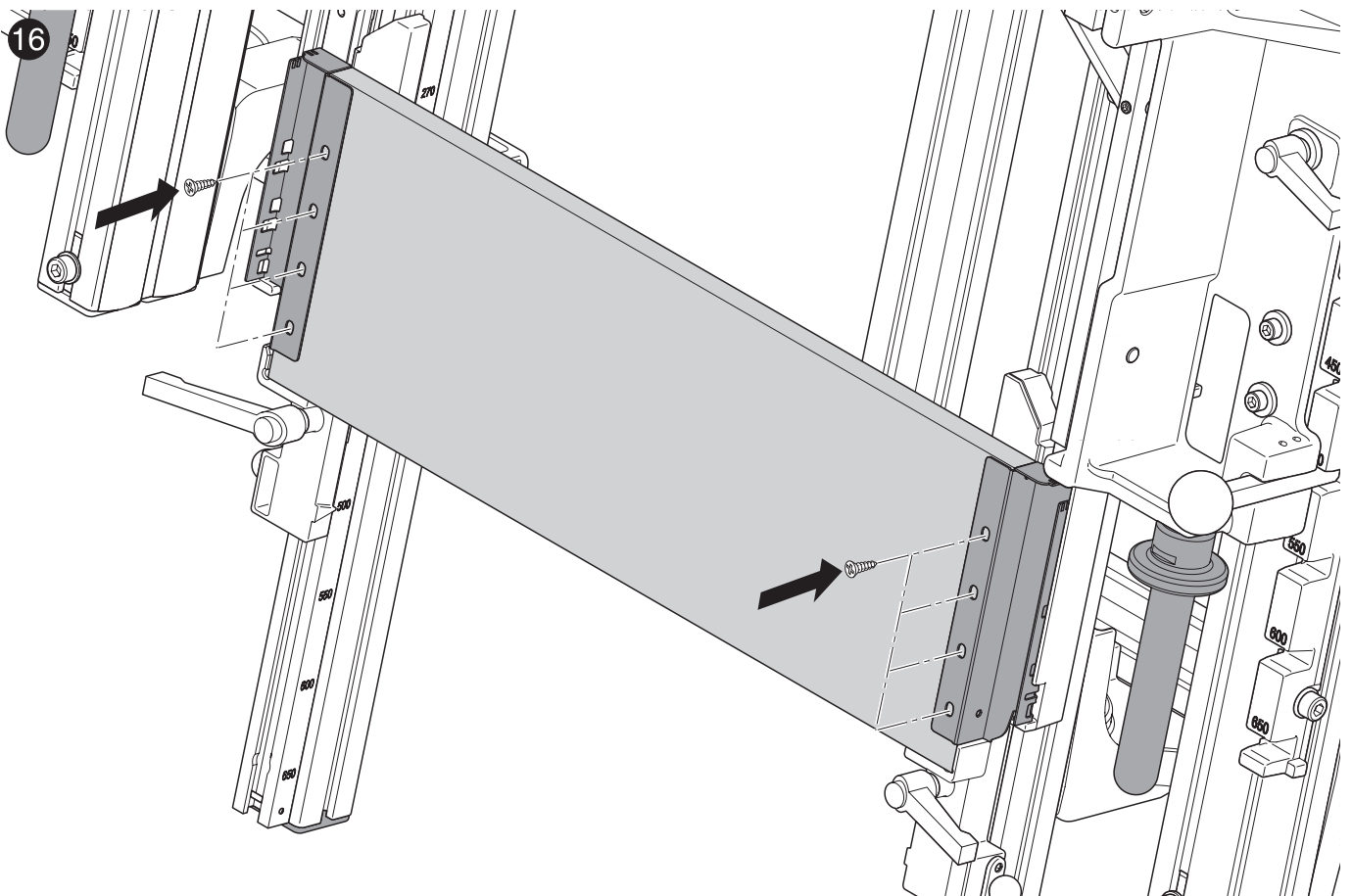
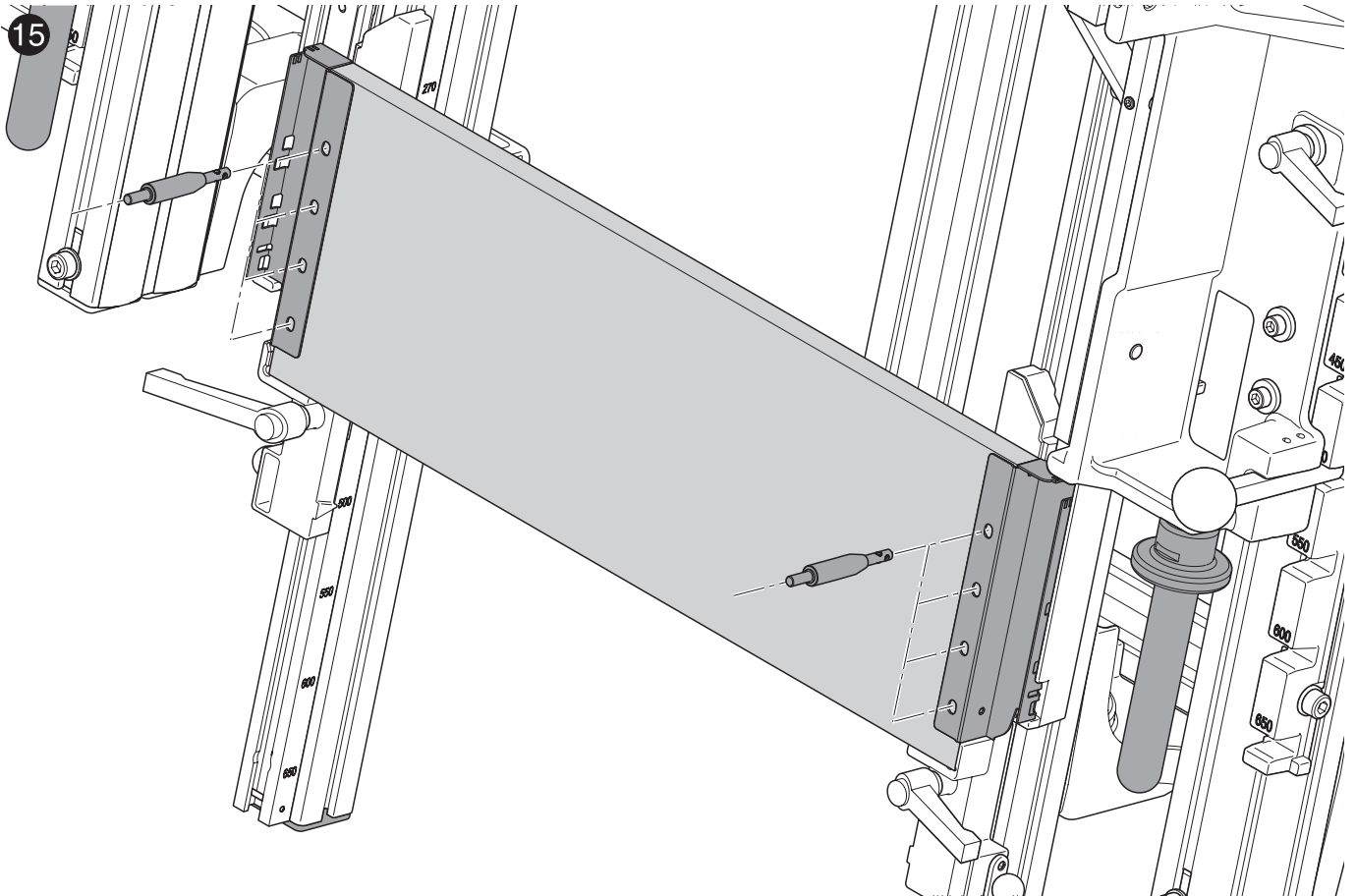
wood

wood



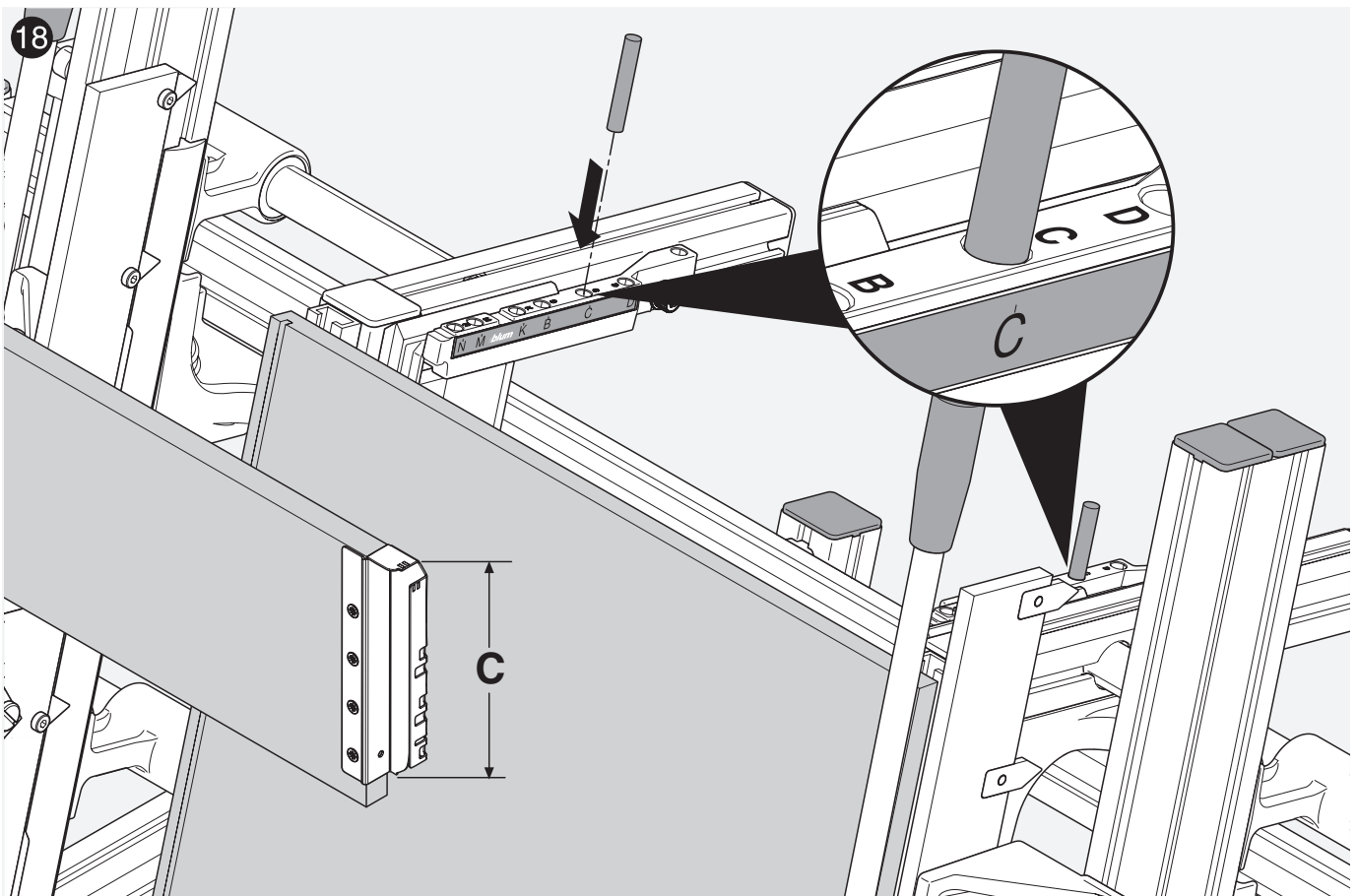
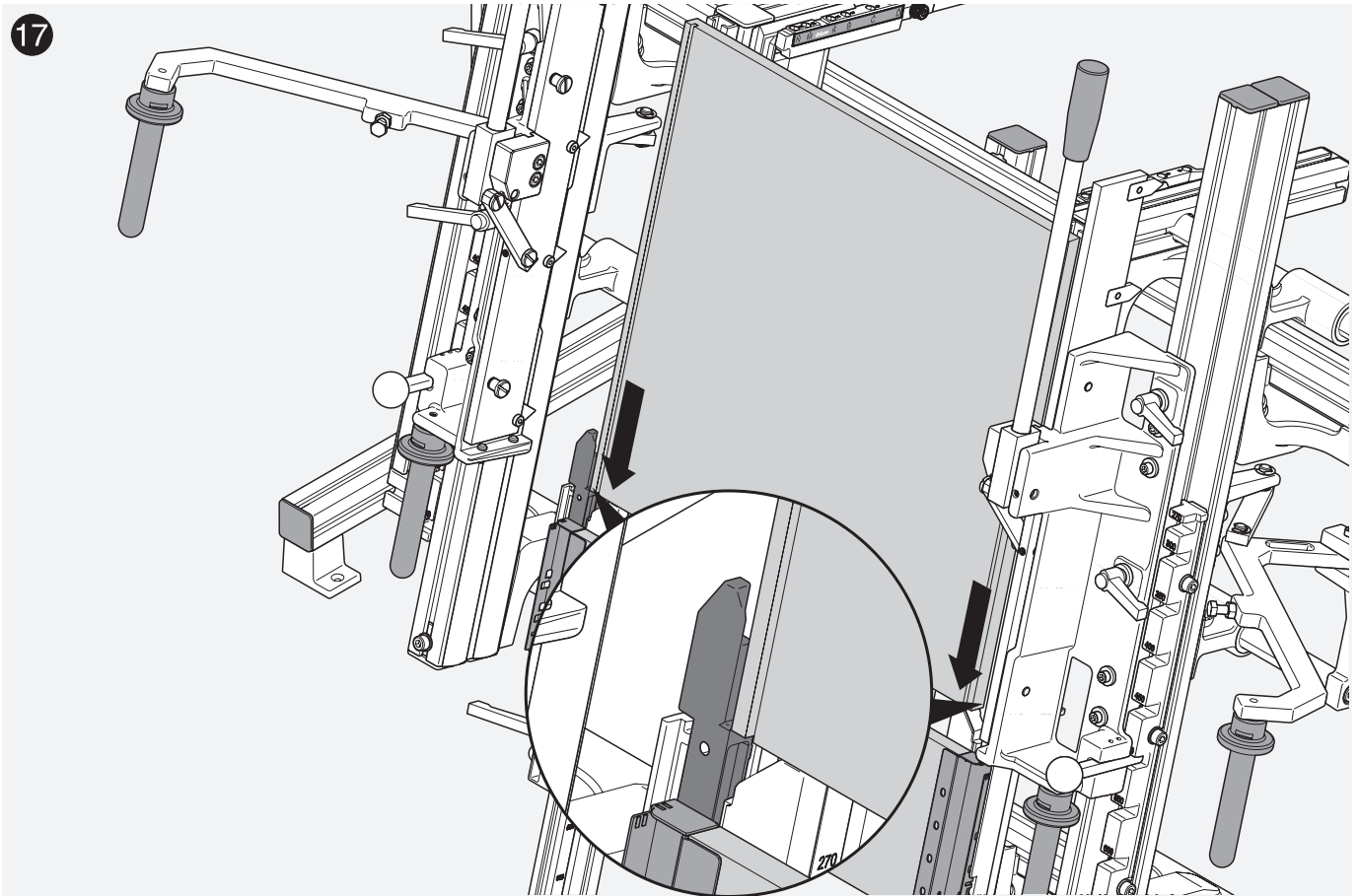
wood

wood



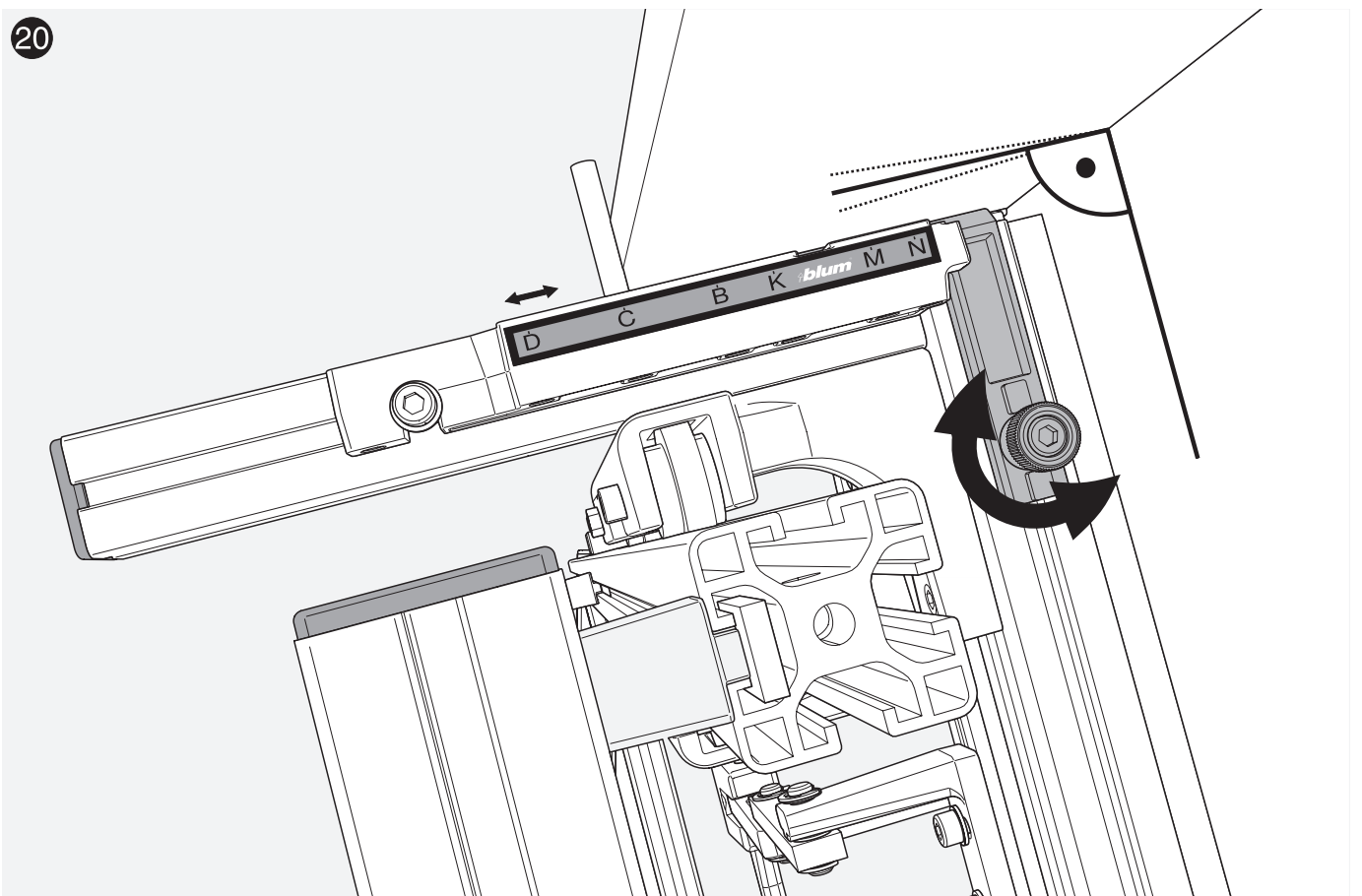
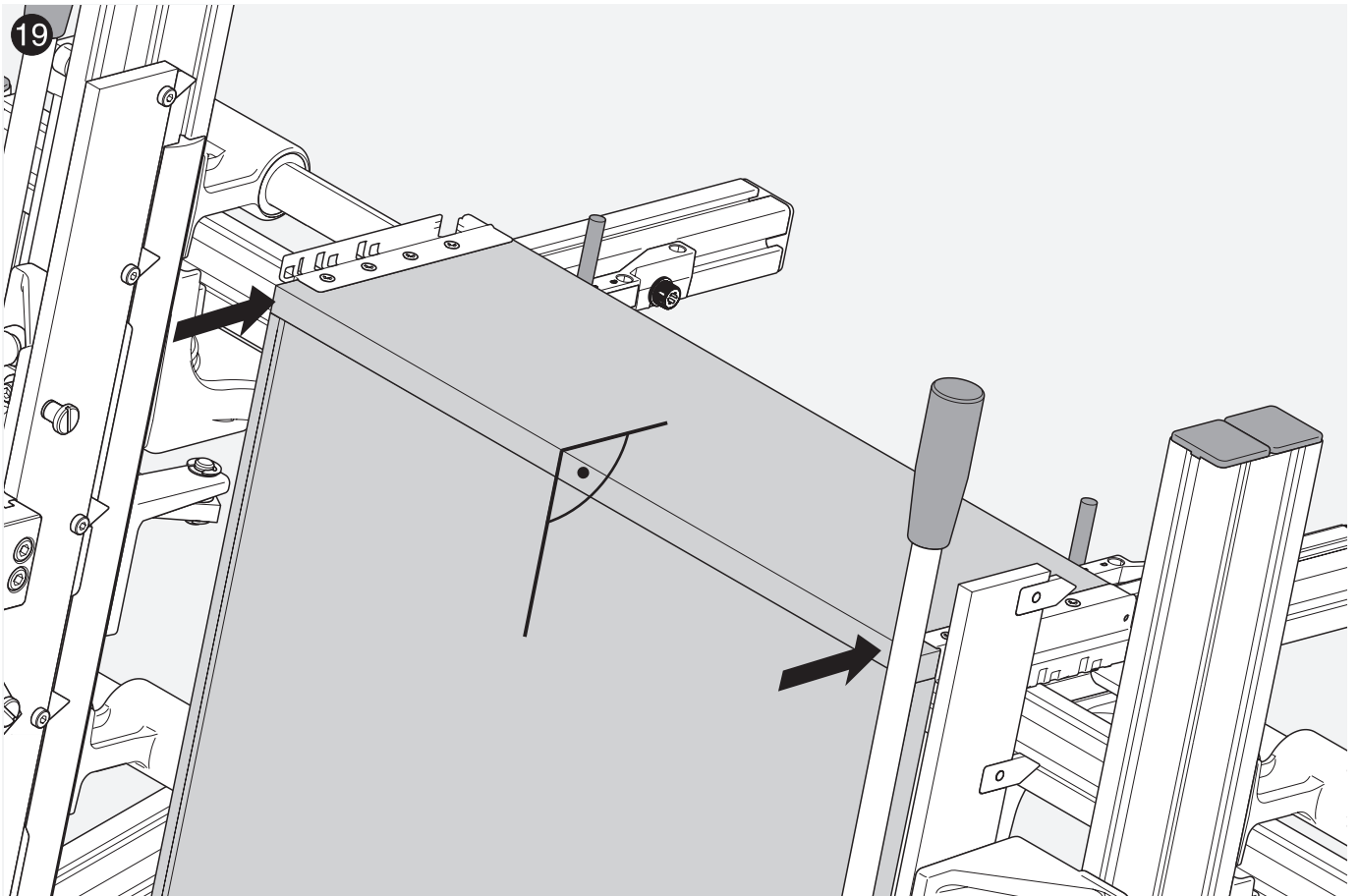
wood

wood



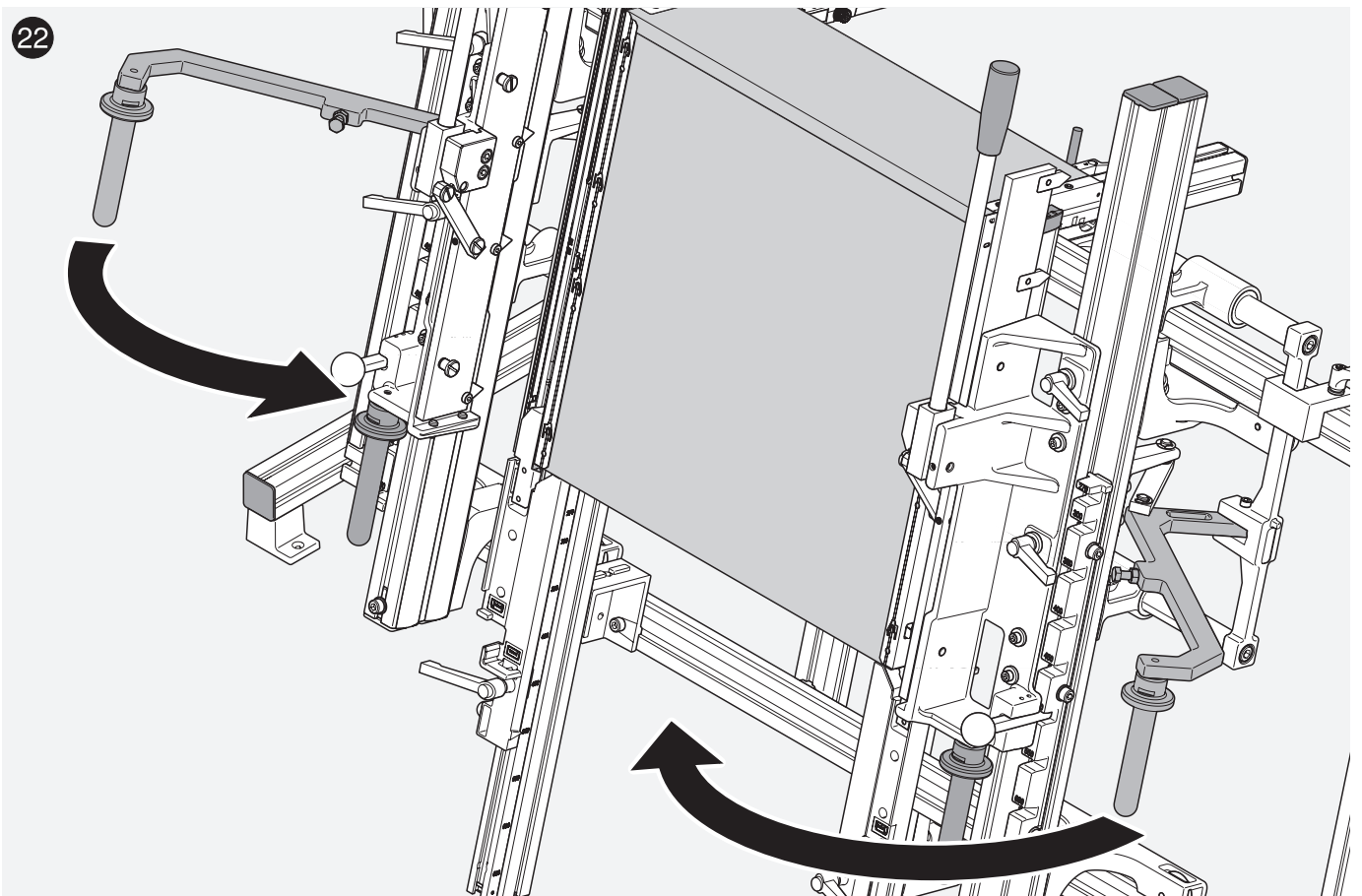
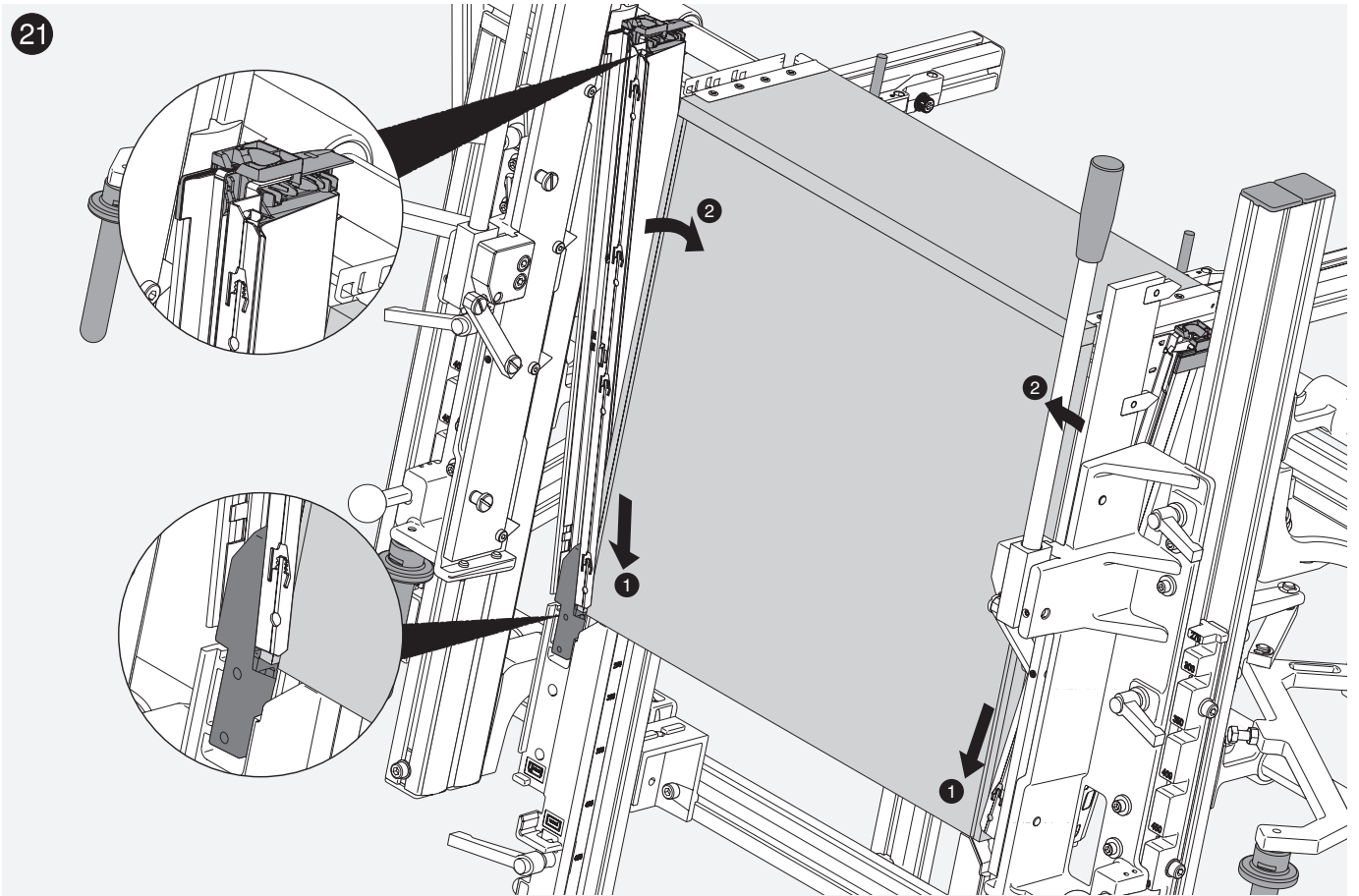
wood

wood

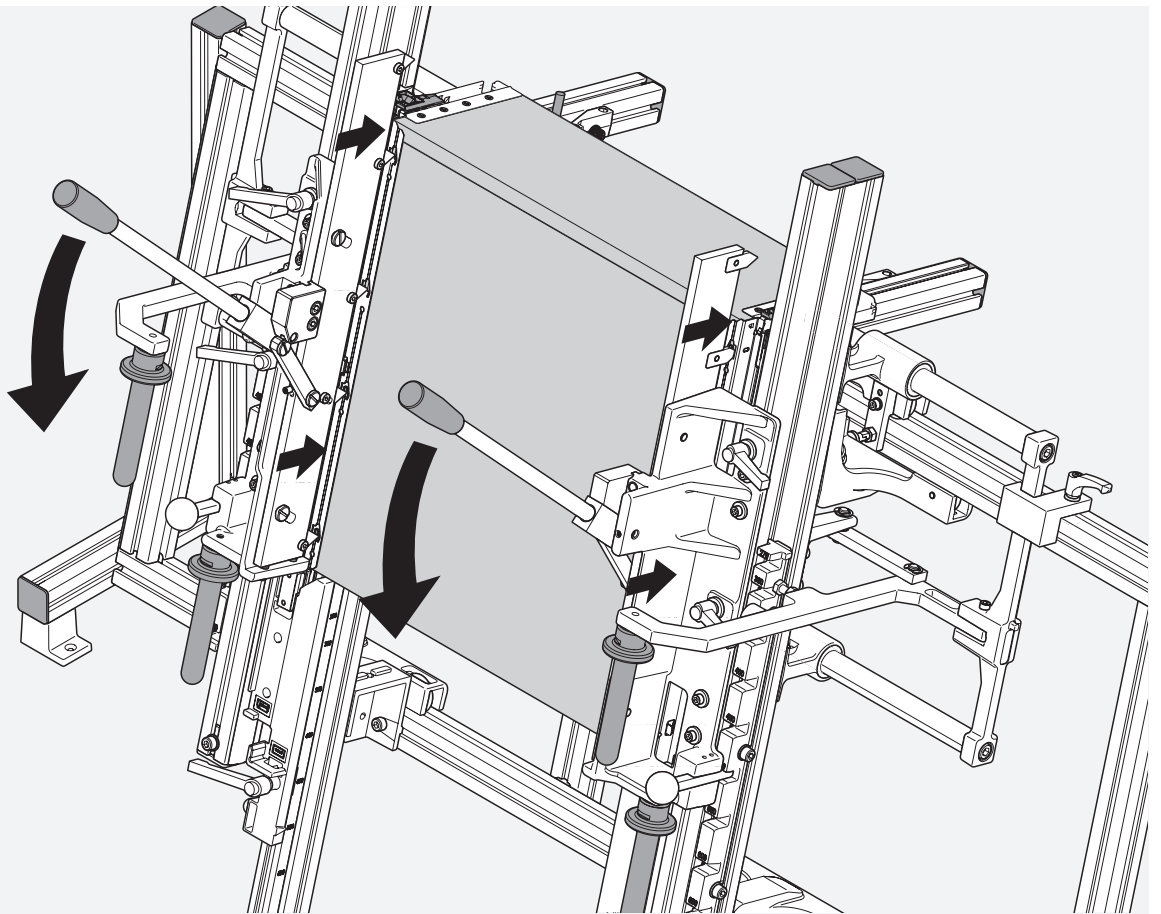


wood

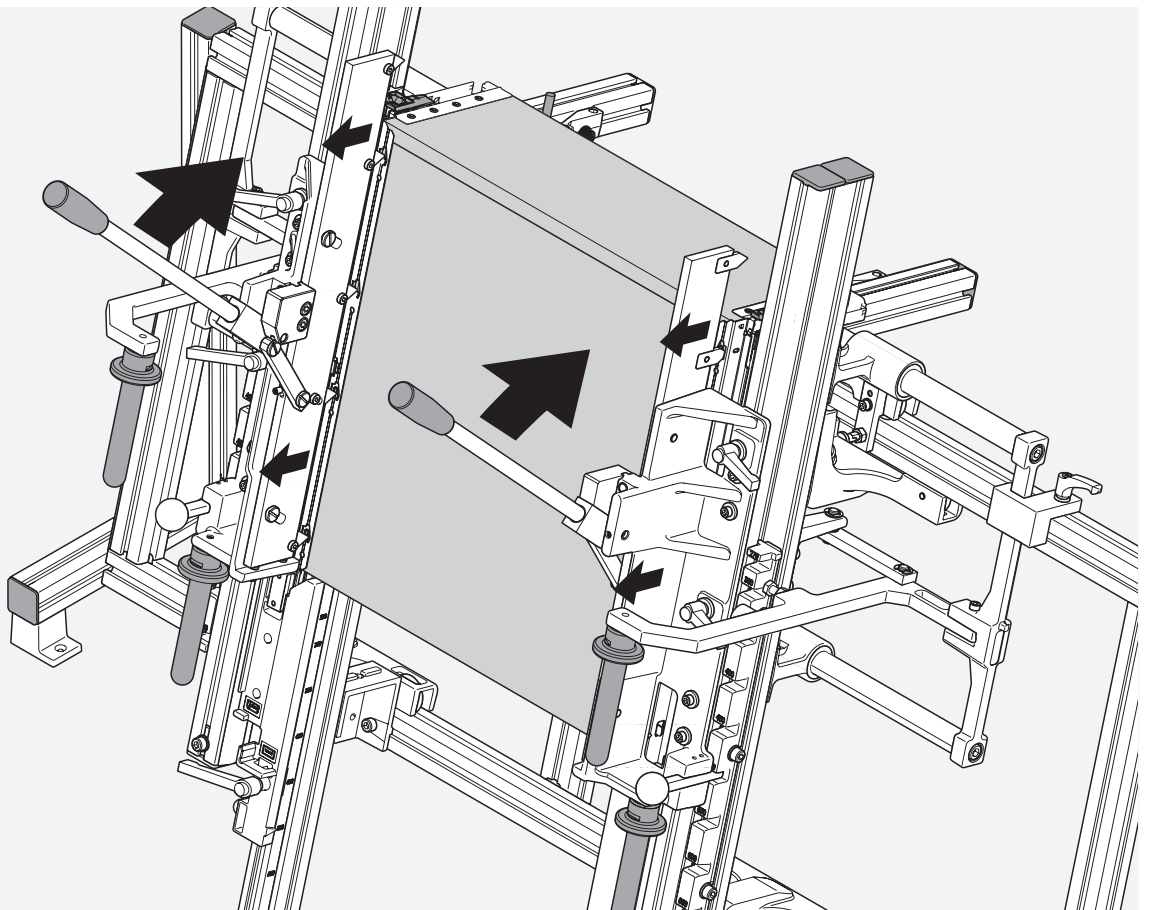
wood



23

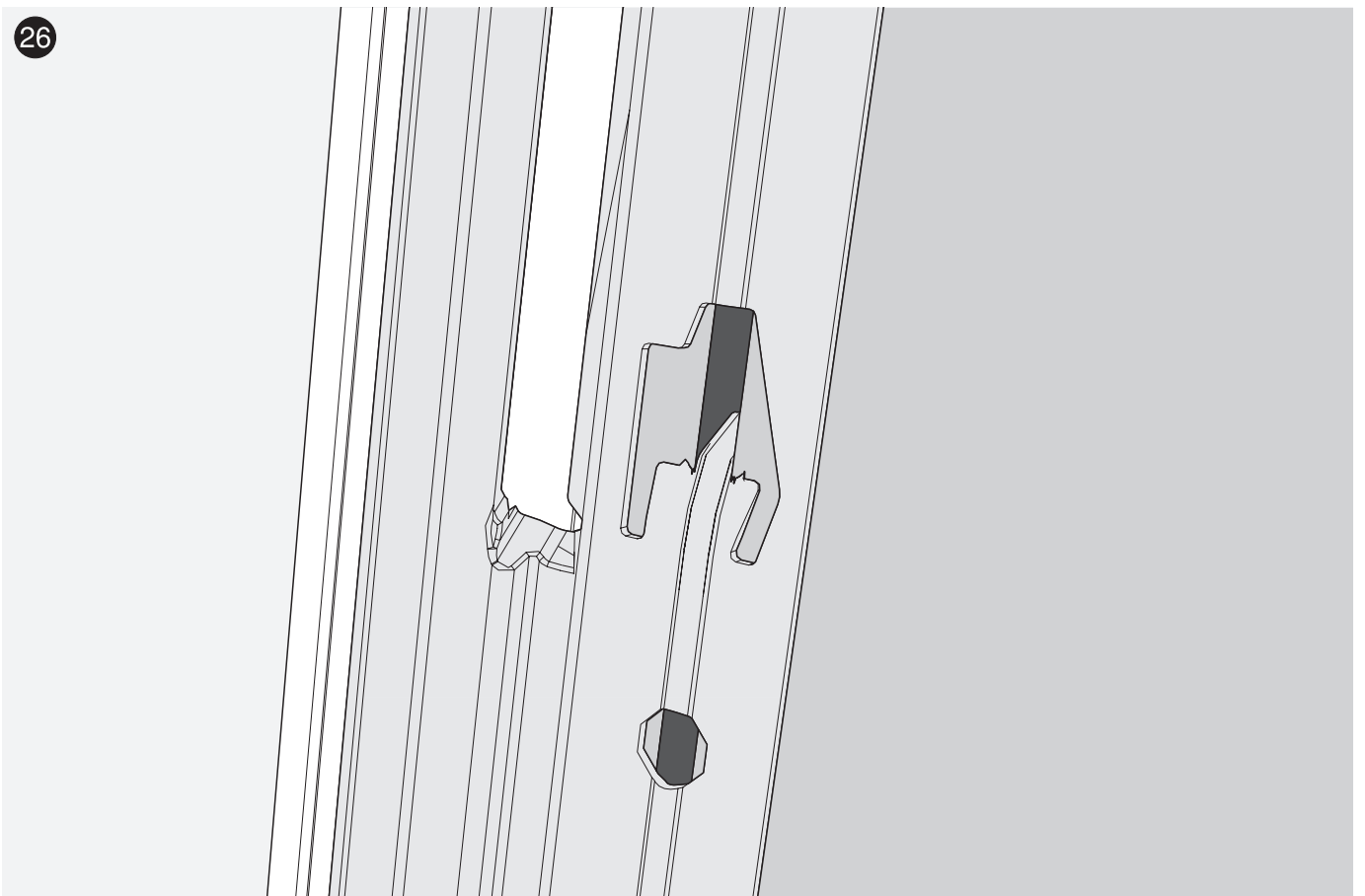
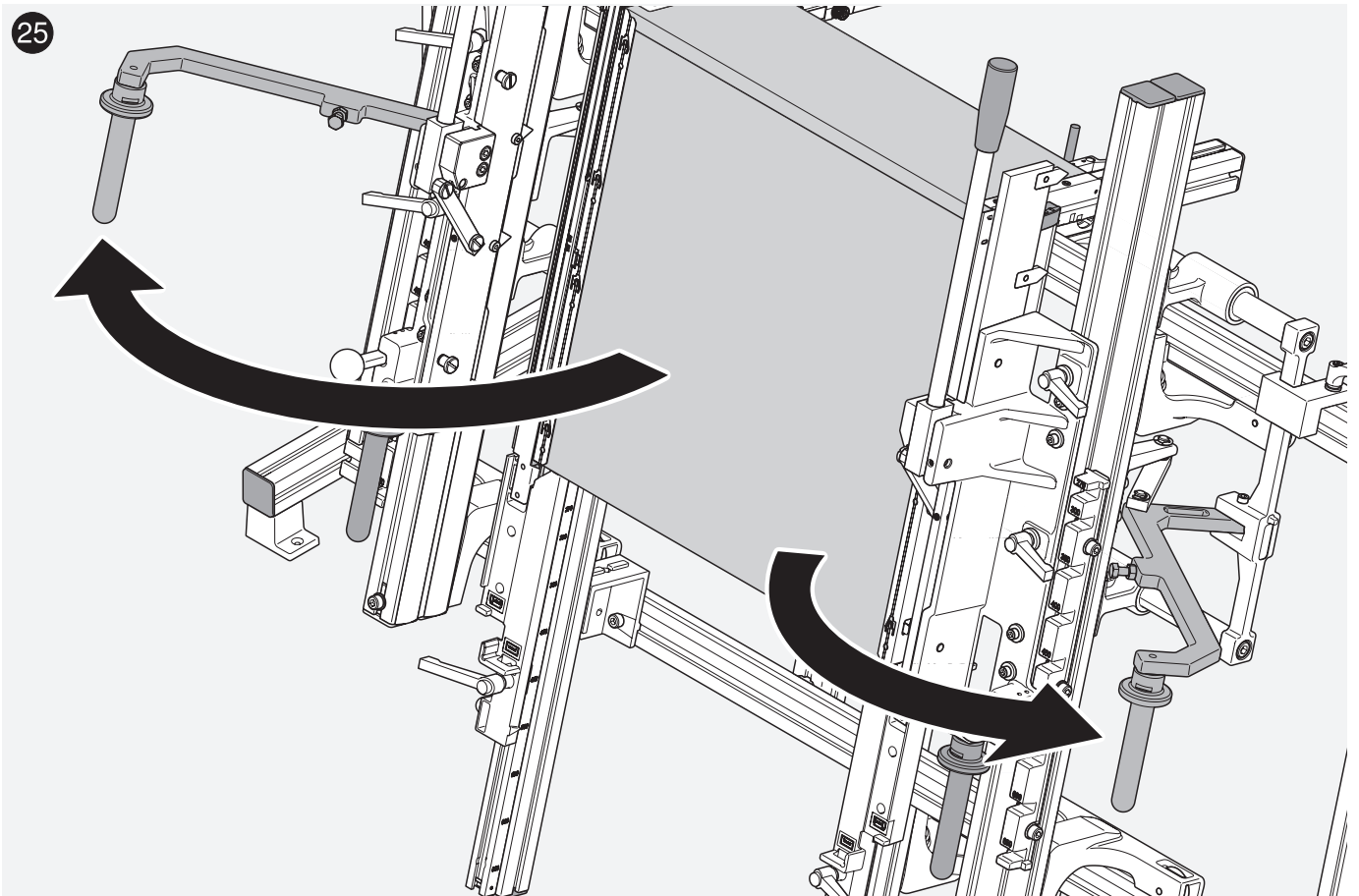


24

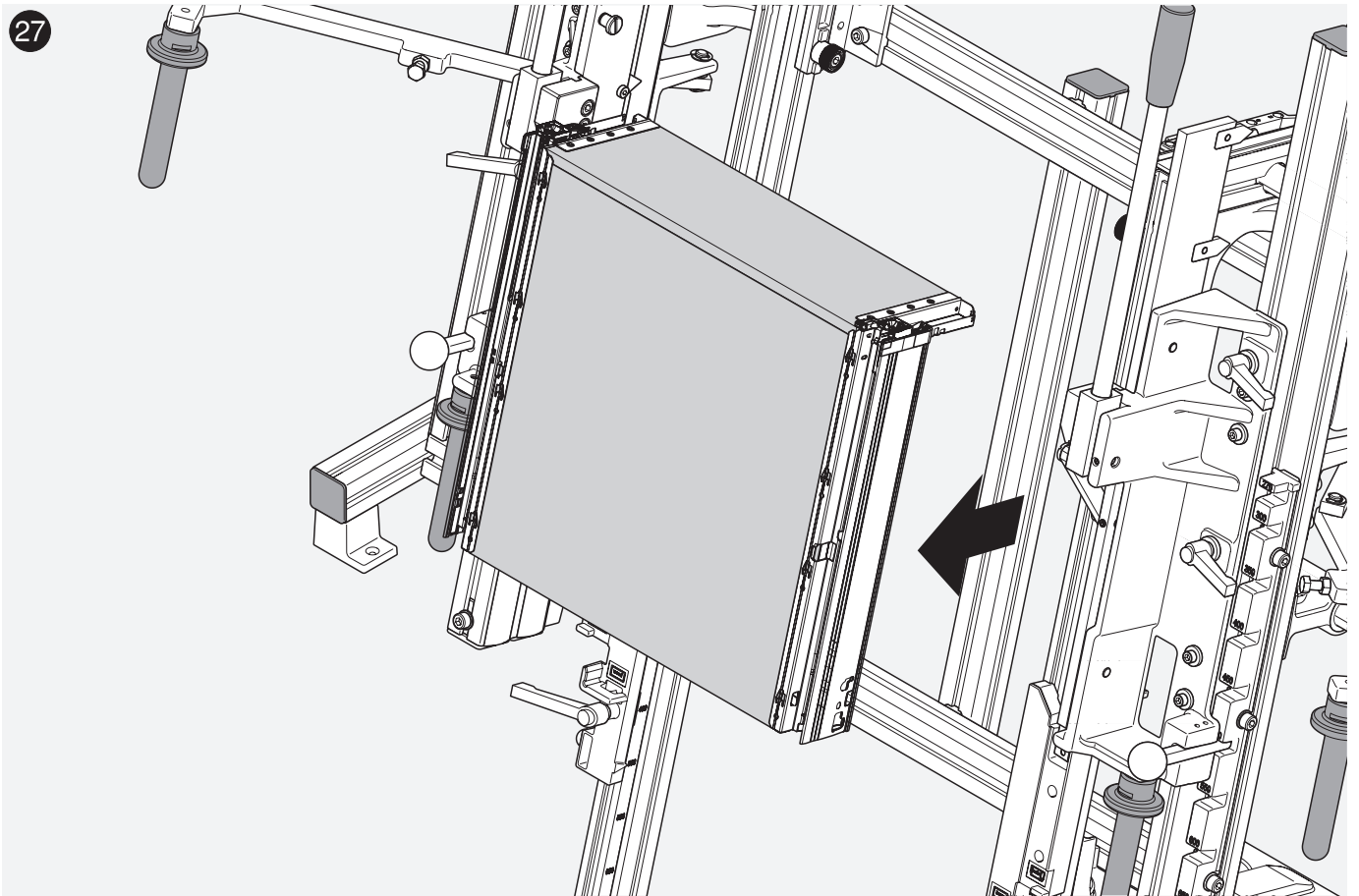


wood

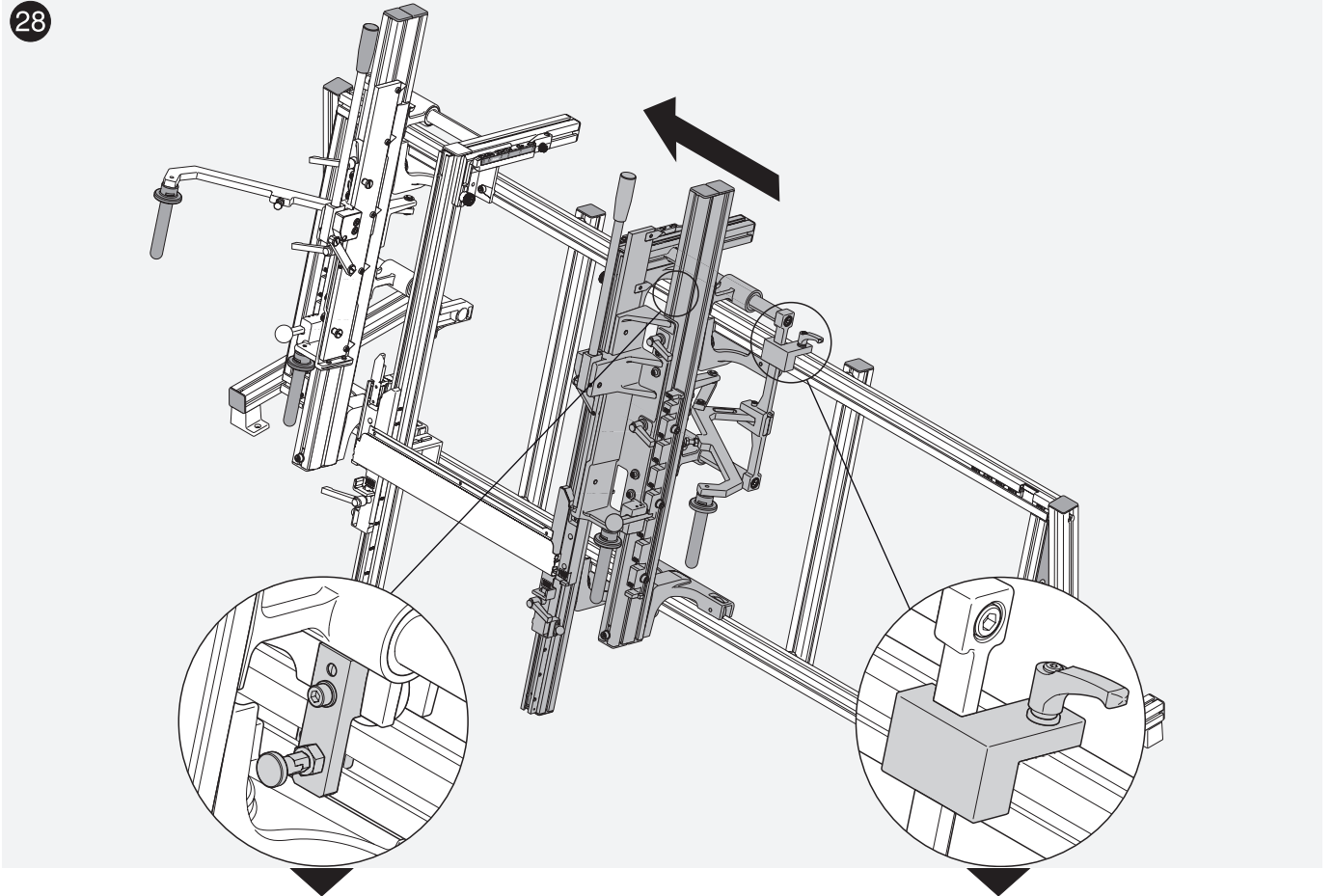
wood



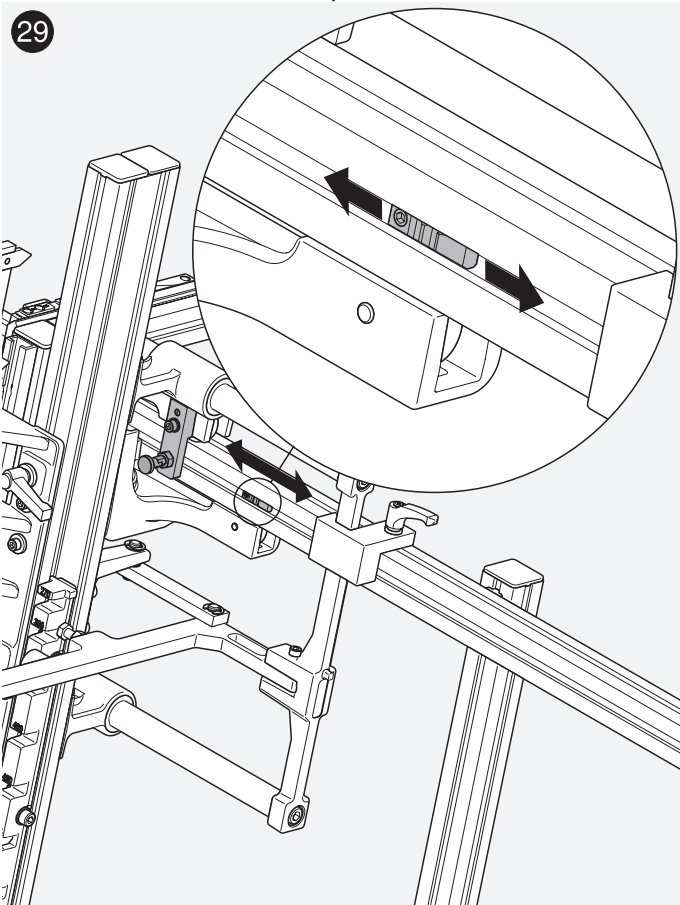
27



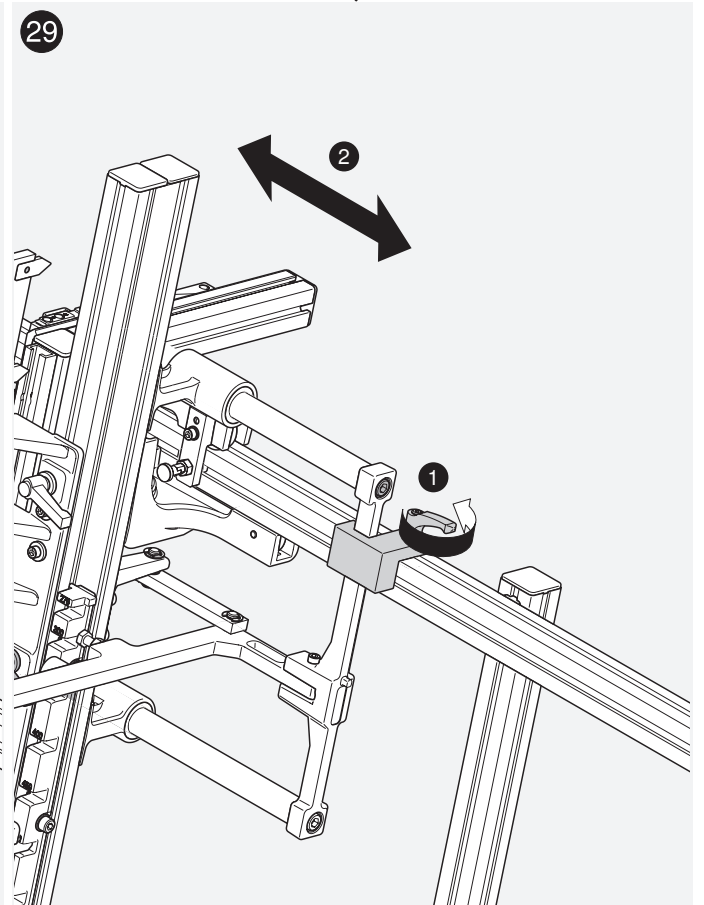
28



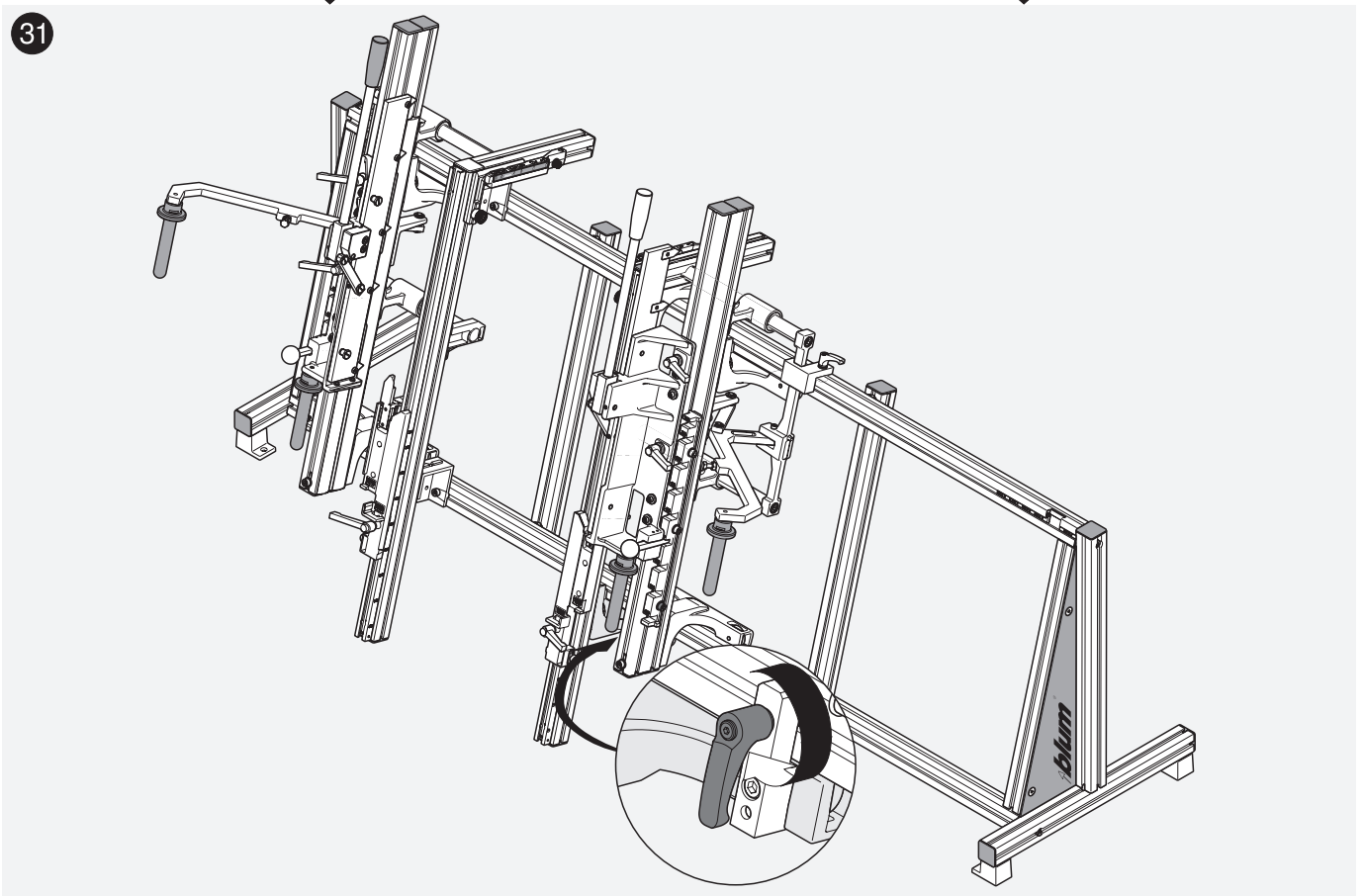
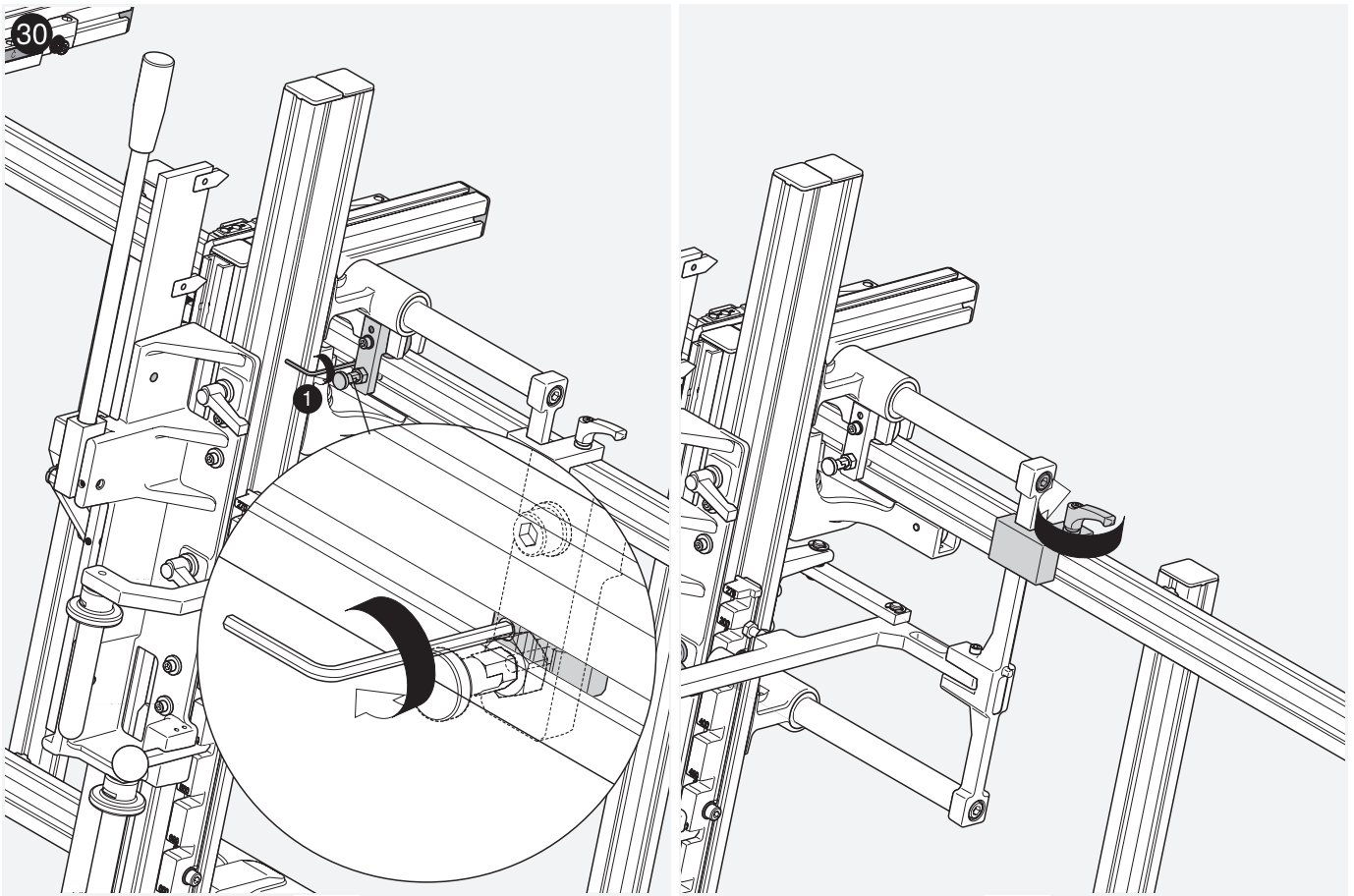
29



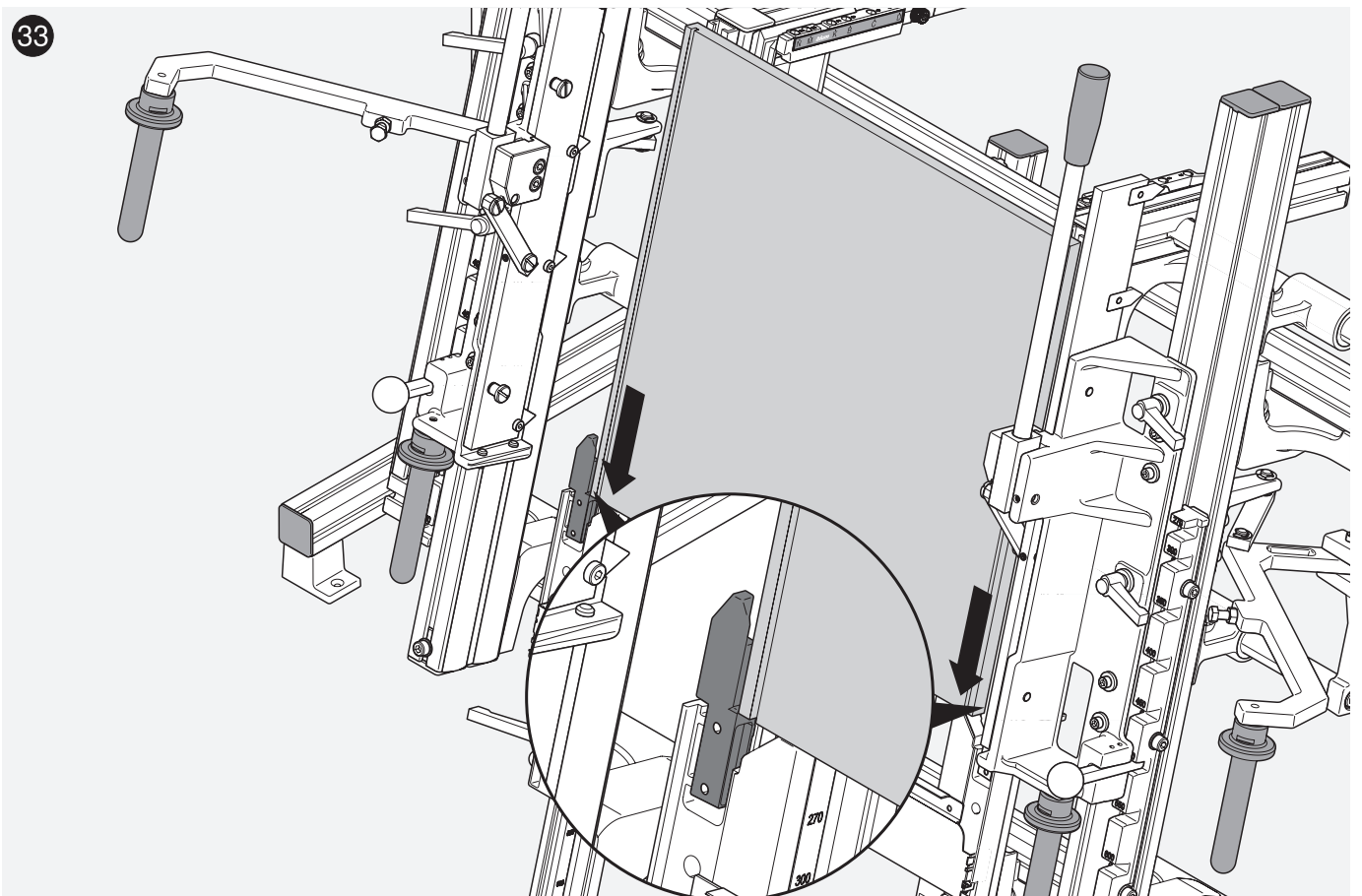
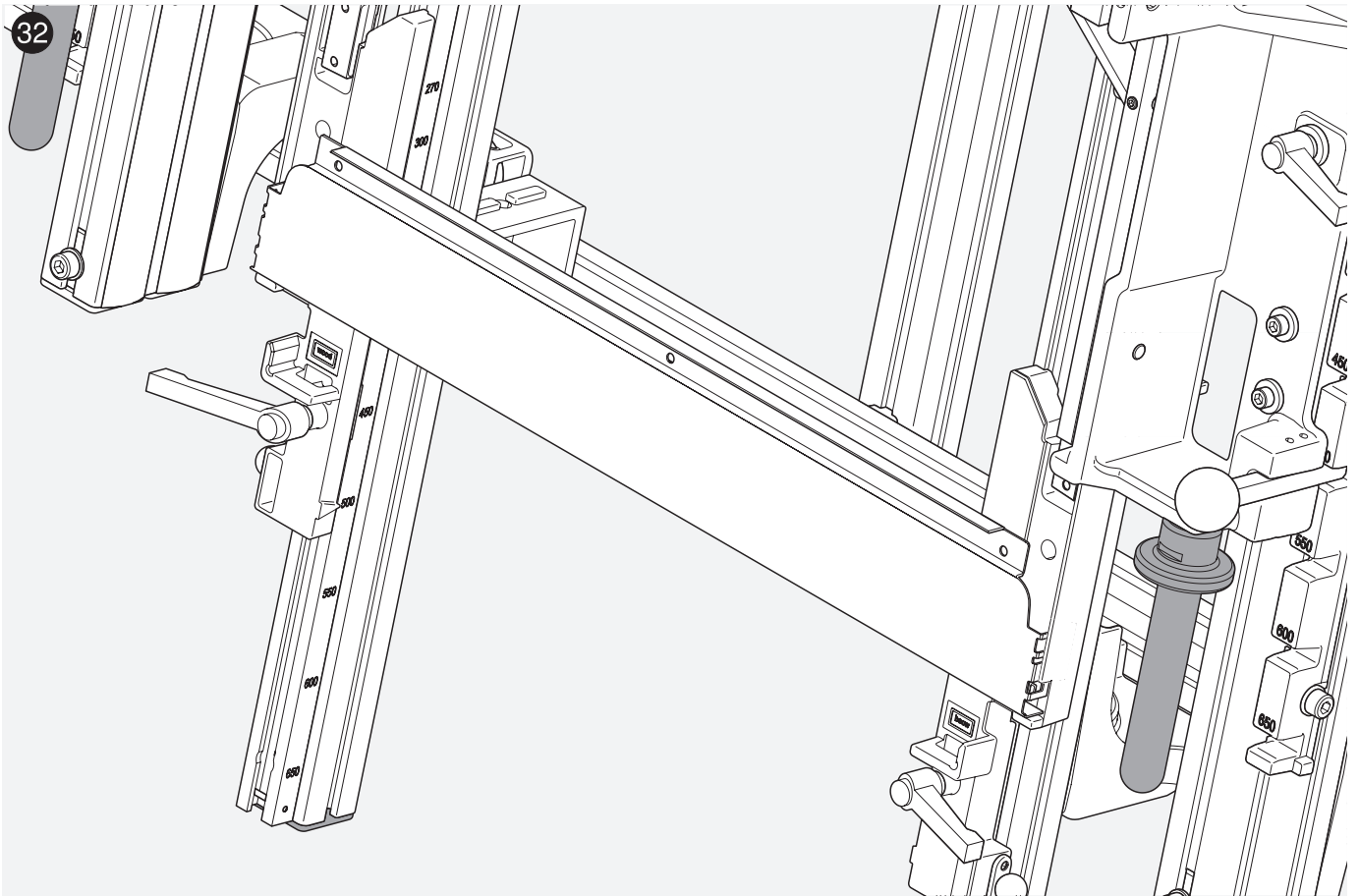
29



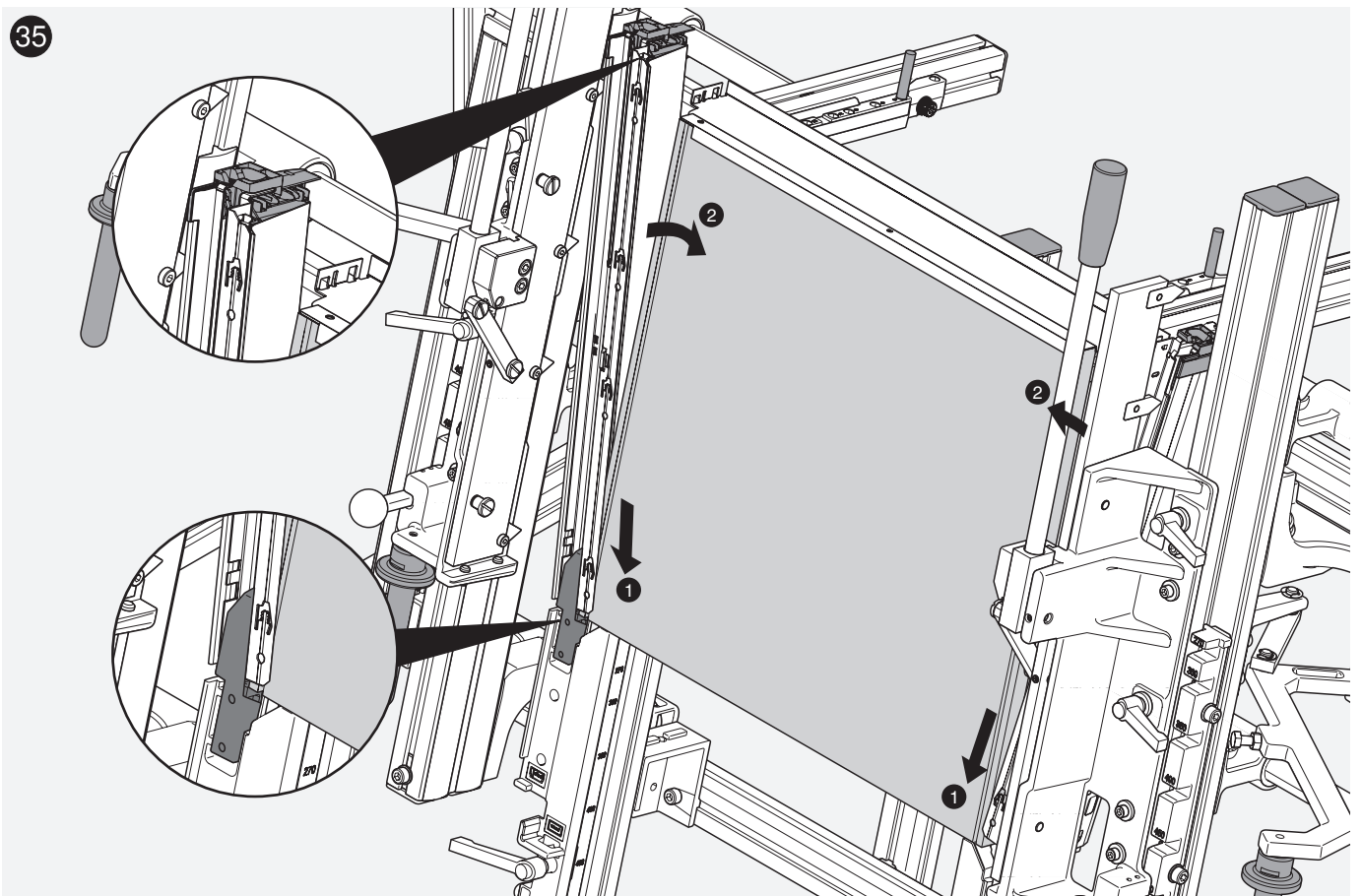
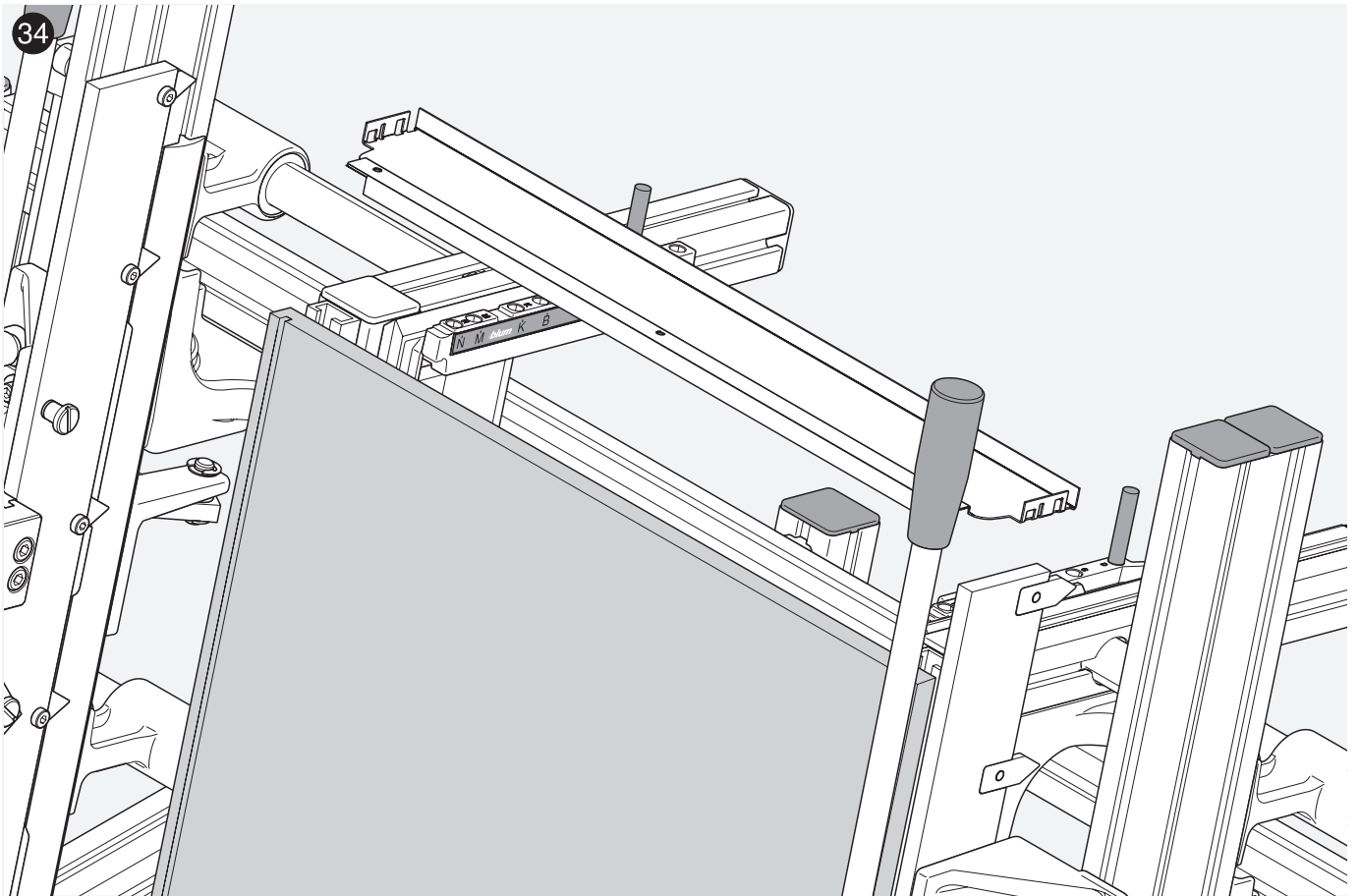
steel



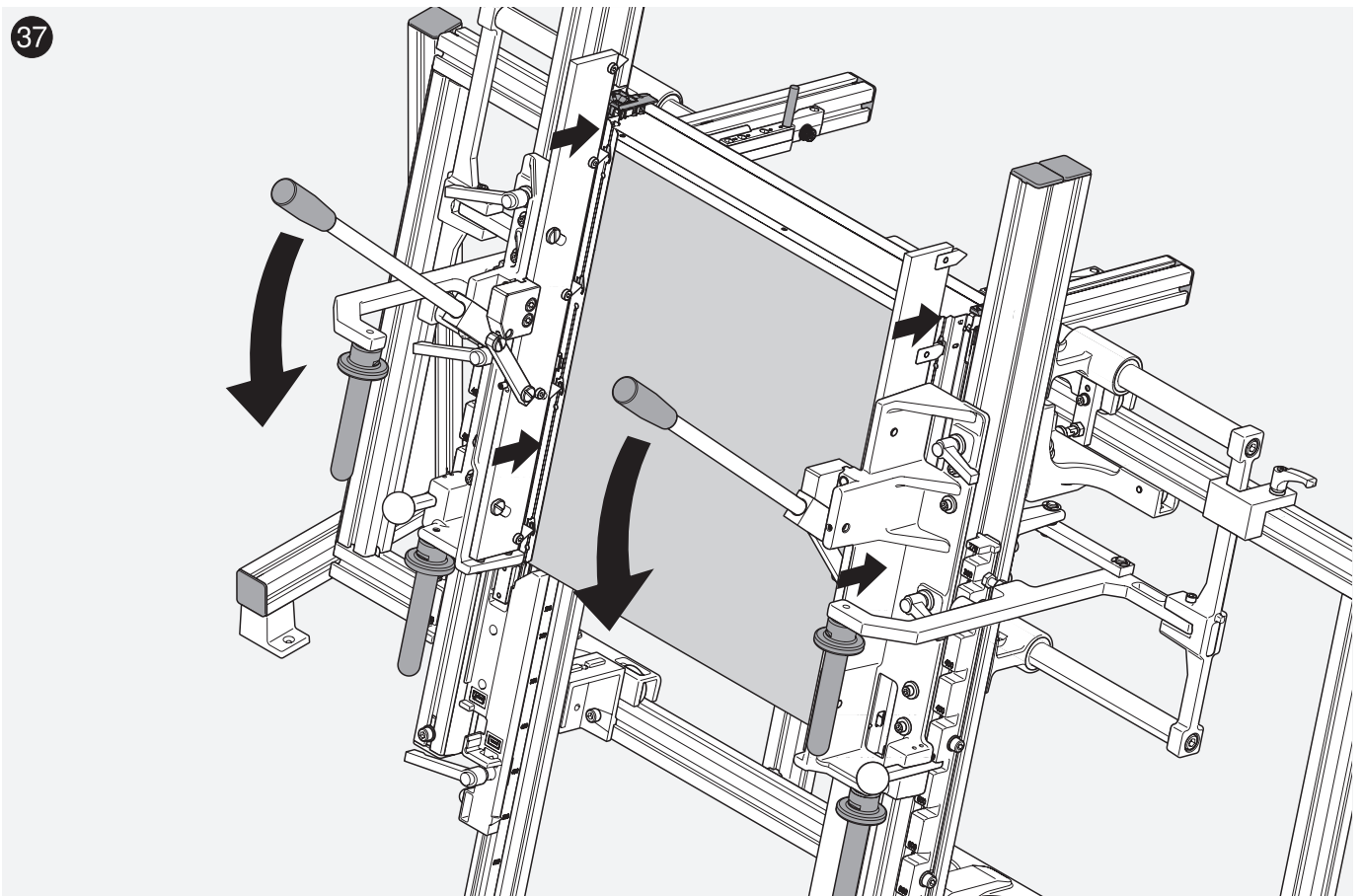
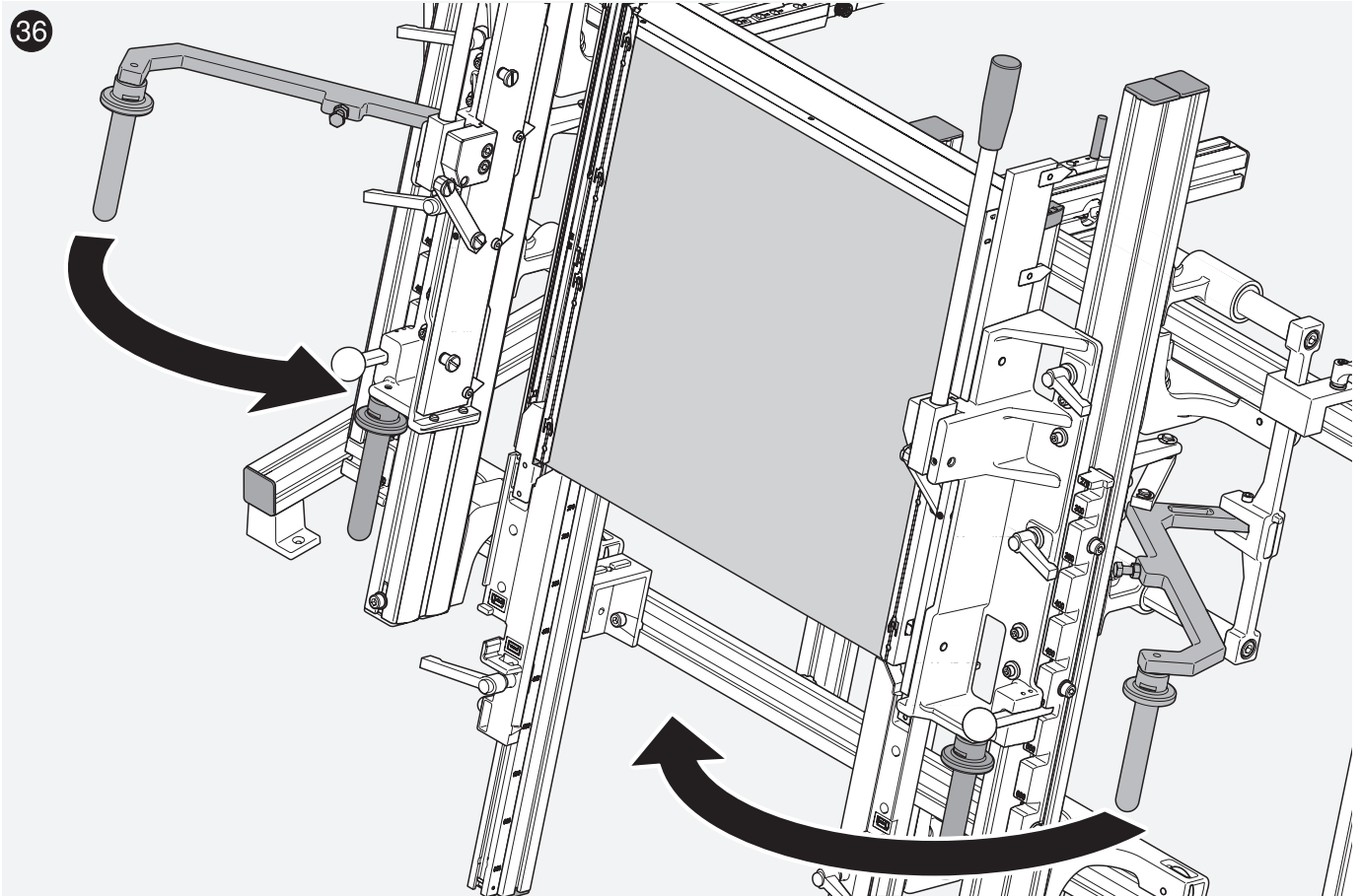
steel



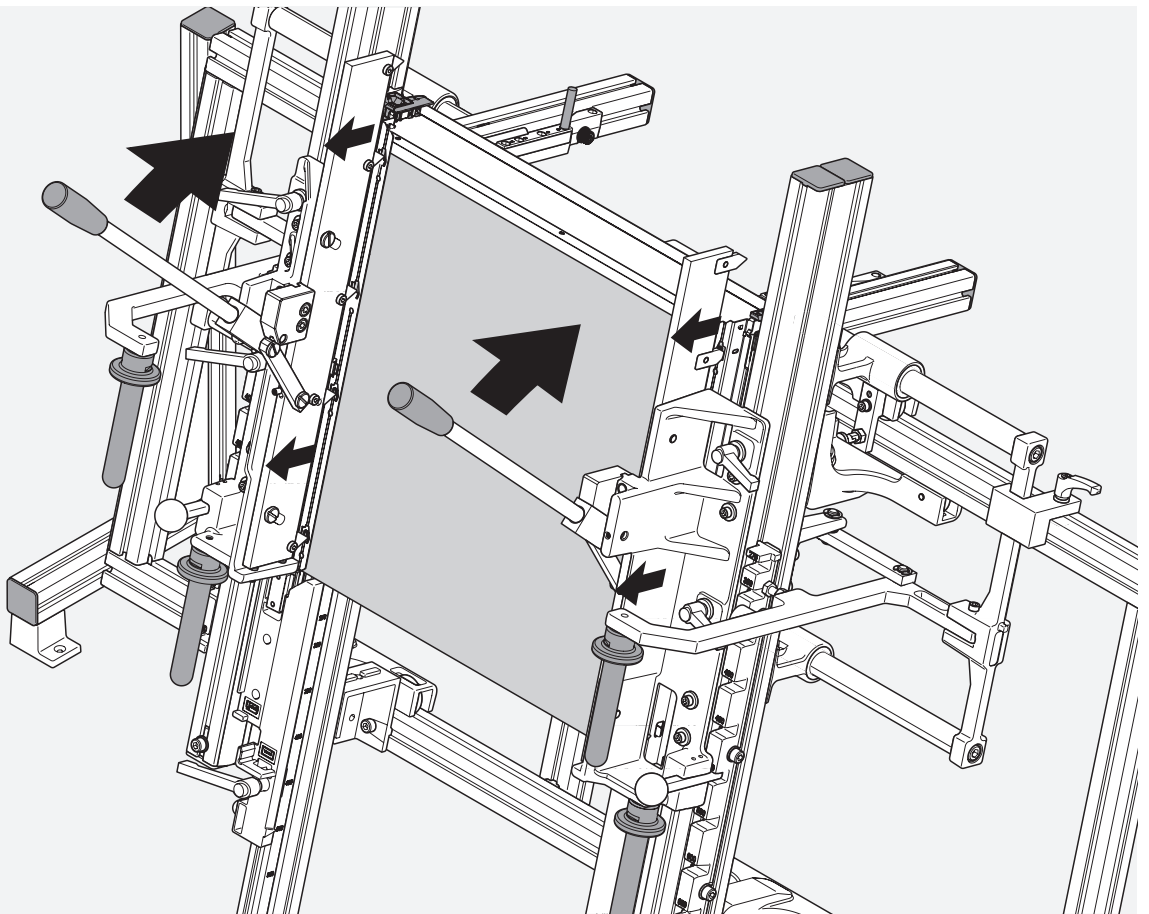
steel



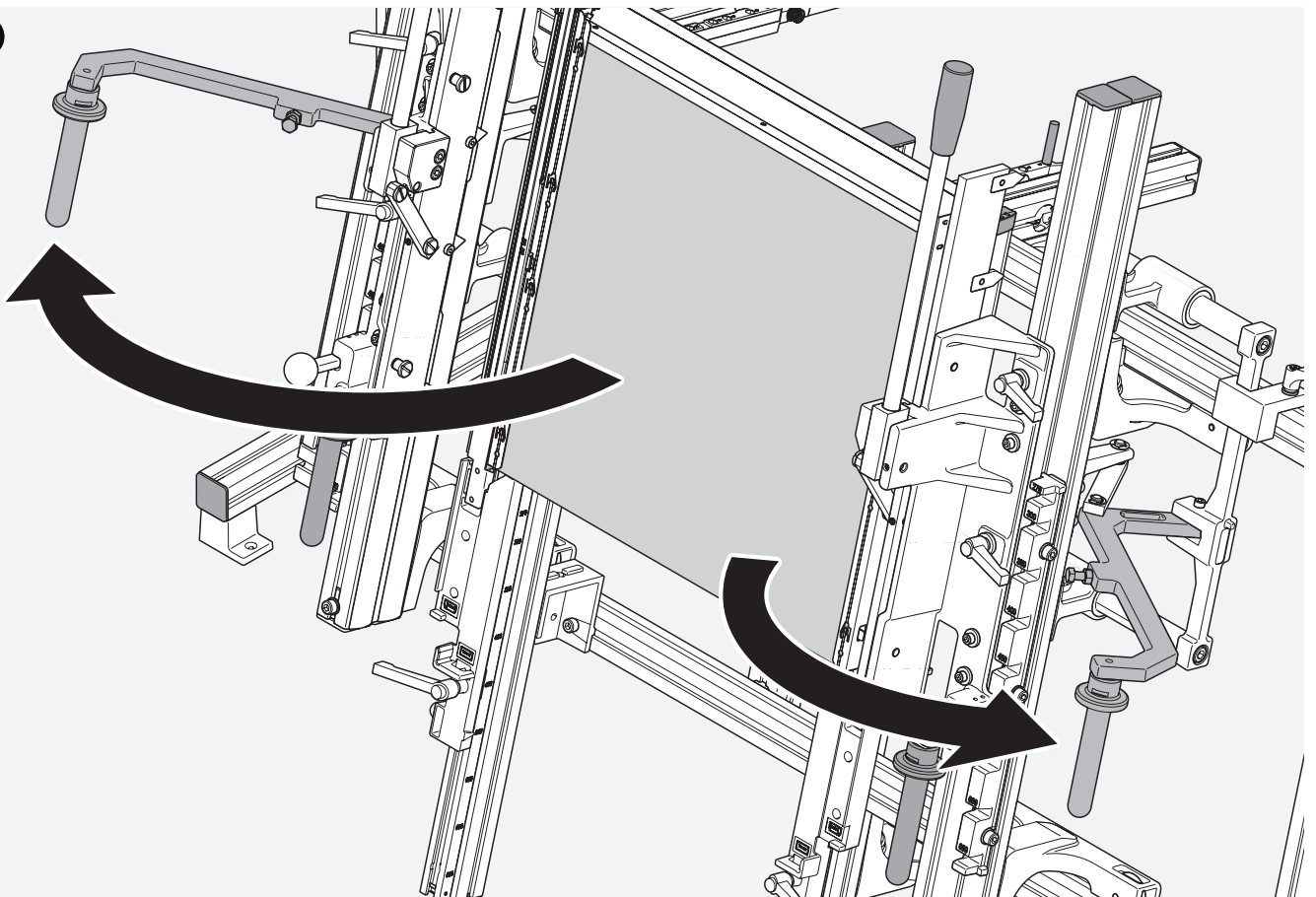
steel



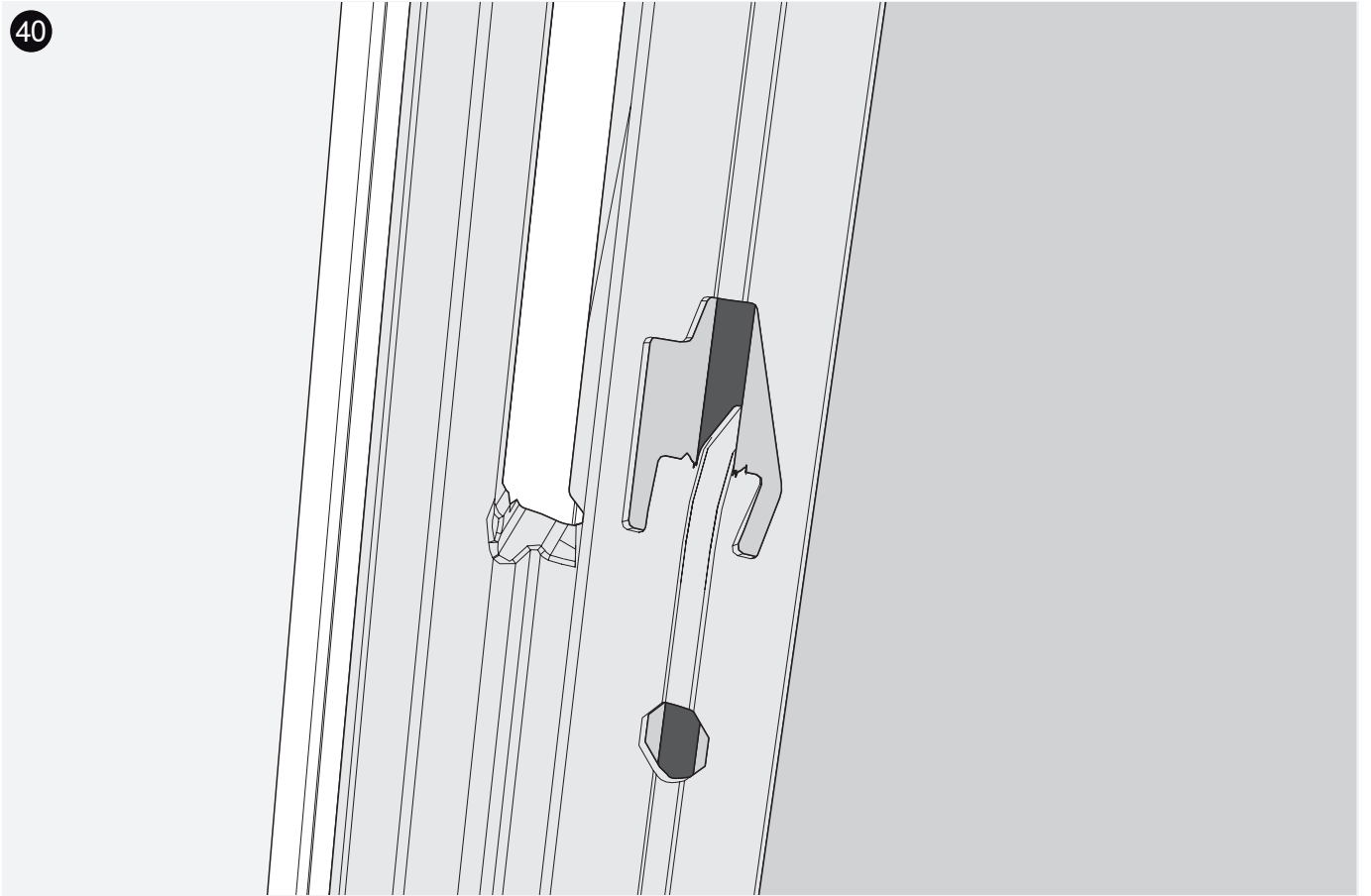
38



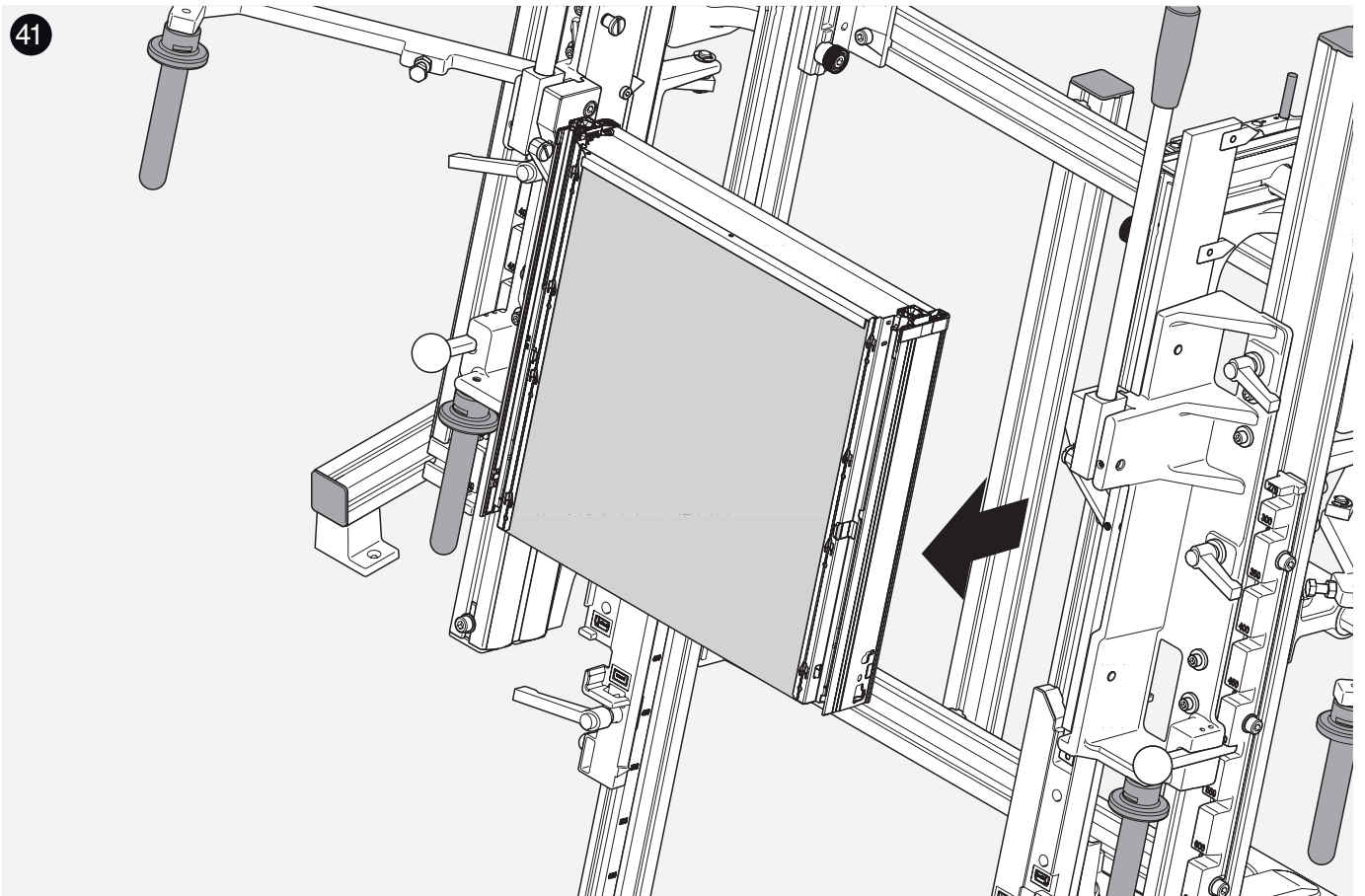
39



40



41



Julius Blum GmbH
Beschlägefabrik
6973 Höchst, Austria
Tel.: +43 5578 705-0
Fax: +43 5578 705-44
E-Mail: info@blum.com
www.blum.com



 **blum**®