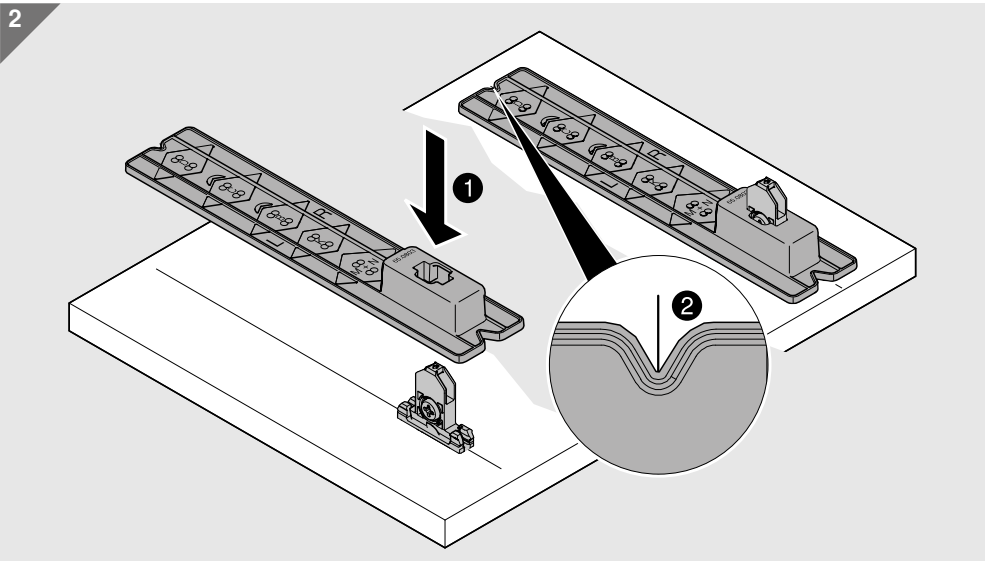
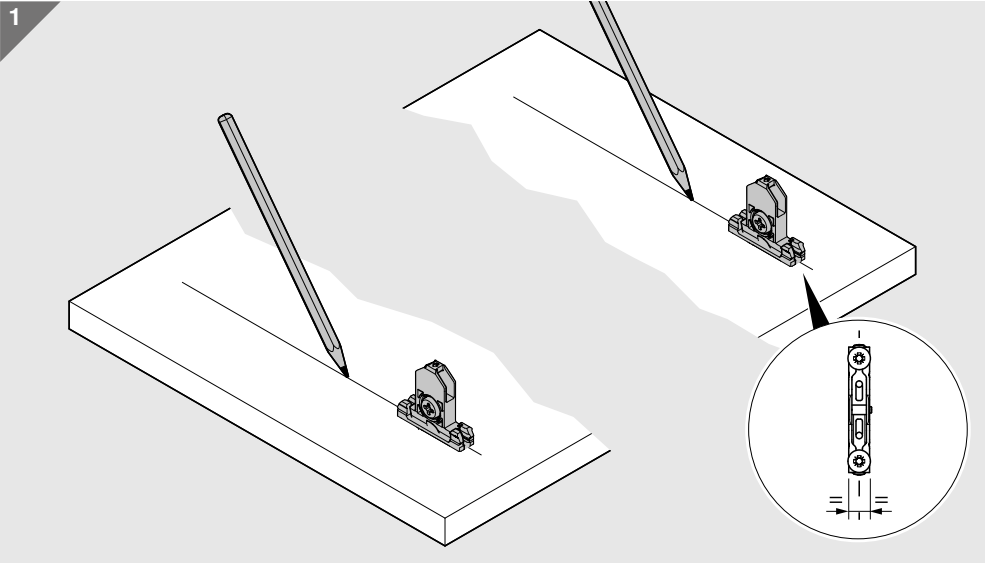
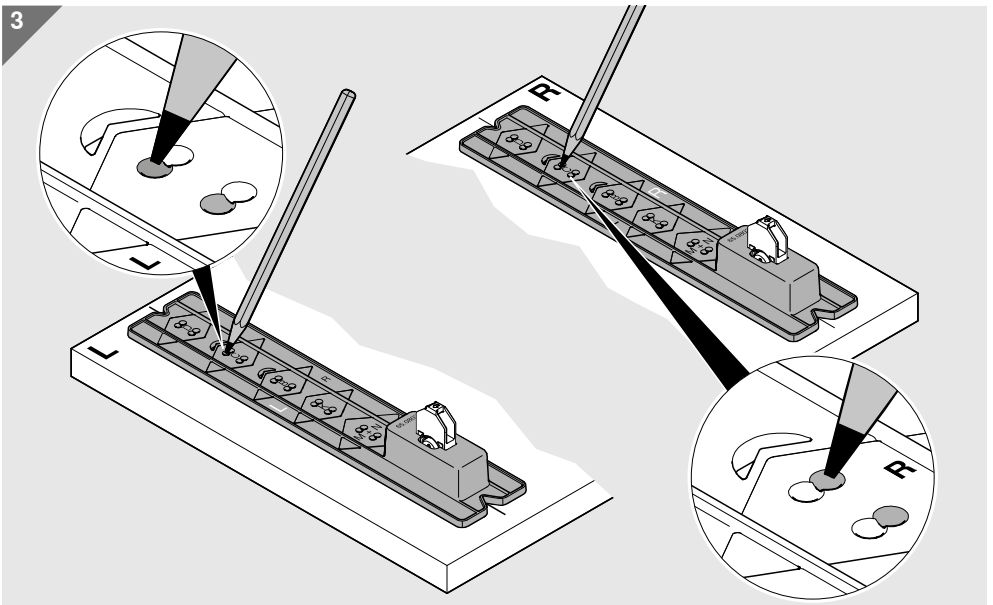


ML



3



4

