

TANDEM 19 mm

The runner system for thick drawer sides

17 mm

18 mm

19 mm



Quality steel for your wooden design ideas

The versatile TANDEM 19 mm runner system has been specifically designed for wooden drawers with a drawer side thickness of 17 to 19 mm. The runner system comes with a wide range of options including a great variety of nominal lengths and different types of extension. You can even choose between a locking device or hook and peg feature for the fixing method. Regardless of which version you opt for, a high level of stability and ease of motion are always guaranteed. The smooth, feather-light glide makes TANDEM 19 mm the ideal solution for drawers and pull-outs in a variety of living areas.

Contents

TANDEM 19 mm

- 04 Application options
- 08 Product properties
- 16 Services and assembly devices
- 18 Blum runner systems

Ordering and planning information

- 20 560F locking device feature – full extension
- 24 550F locking device feature – single extension
- 28 561F hook and peg feature – full extension
- 32 551F hook and peg feature – single extension
- 36 Accessories
- 37 Attachment of runners
- 42 moving ideas





TANDEM 19 mm in action

One of the great advantages of TANDEM 19 mm is the broad product range. The concealed runner system is available as a full or single extension. It also comes in many different nominal lengths – from 250 to 650 mm. This makes the runner system perfect for the widest variety of applications, from a flat and deep pull-out for clothing in the bedroom or an odds and ends drawer in the hall, to a narrow yet deep pull-out for personal care products in the bathroom.



TANDEM 19 mm in the bathroom

Bathroom furniture needs to be carefully considered. So it's good to know that the TANDEM 19 mm range gives you the ability to implement wide drawers with short nominal lengths. An important feature for the bathroom is that the zinc plated runners and nylon roller carriages offer the best protection against corrosion.







**TANDEM 19 mm
properties**



TANDEM 19 mm feather-light glide – smooth running action for the lifetime of the furniture

A quiet, feather-light glide is what sets TANDEM 19 mm apart. Low-friction cylindrical nylon rollers ensure that the weight of the drawer is well-distributed and no metal wear will occur. Thanks to Blum motion technologies, drawers open and close softly and effortlessly.



TANDEM 19 mm offers more storage space and impressive stability

TANDEM 19 mm has a load bearing capacity of 30 kg. Thanks to good sag values, it is also suitable for pull-outs that are near the floor as well as extra wide, high and deep pull-outs, even when the drawers are fully laden.



Different types of extension – the right model for every application

To give you greater design flexibility, TANDEM 19 mm is available with different types of extension. The full extension is the right choice if you want particularly easy access without any loss of storage space. And TANDEM 19mm single extension is ideal for smaller items of furniture, such as a bedside table.

Motion technologies for TANDEM 19 mm

TANDEM 19 mm can be used with different motion technologies, including the adaptive soft-close mechanism BLUMOTION, which ensures soft and effortless closing. The SERVO-DRIVE electrical opening support system makes opening particularly easy. A light touch suffices and the drawer seems to open by itself. TIP-ON delivers the same convenience, but through mechanical means.

BLUMOTION

by Blum

SERVO-DRIVE

by Blum

TIP-ON

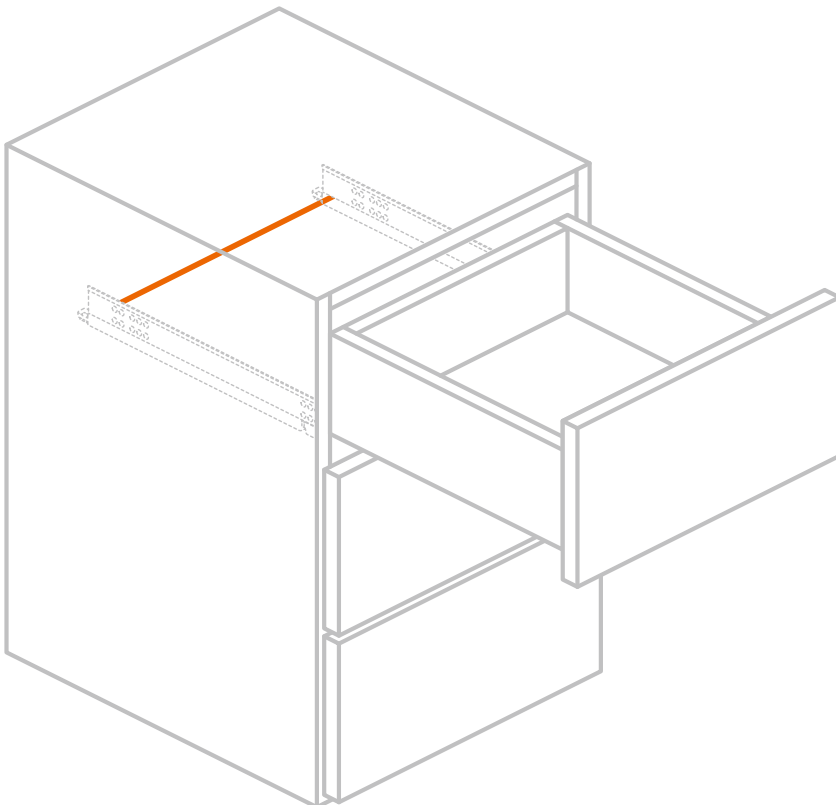
by Blum





TANDEM 19 mm with integrated TIP-ON

You'll already be familiar with the versatility of the TANDEM 19 mm runner system and the convenience of the TIP-ON motion technology. Now we have combined the advantages of both – TANDEM 19 mm with integrated TIP-ON as a full and single extension. This means a better quality of living with fewer components. The TANDEM 19 mm, with its tried-and-tested functionality, is now also available as a more cost-effective solution for your wooden design ideas – including easy assembly and convenient operation



All you need for assembly is a one-part synchronisation linkage







Assembly with locking device or hook and peg feature

Locking device feature – insert and all done!

The TANDEM locking device allows you to attach and remove the drawer in no time. An integrated lift-off stop prevents accidental detachment.

Height adjustment allows differences of up to 3 mm to be corrected. The front can be aligned parallel to the cabinet front edge using the tilt adjustment feature.

Hook and peg feature – clip on and all done!

Place the drawer on the runner, pull forwards, done.

The lift-off stop prevents accidental detachment from the runner. Fine tuning is quick and easy: with the tool-free height adjustment, you can make adjustments up to 2.5 mm, while the integrated front tilt adjustment feature allows for effortless alignment of the front.

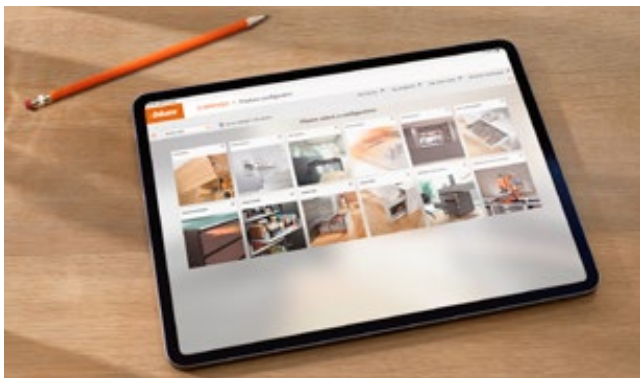


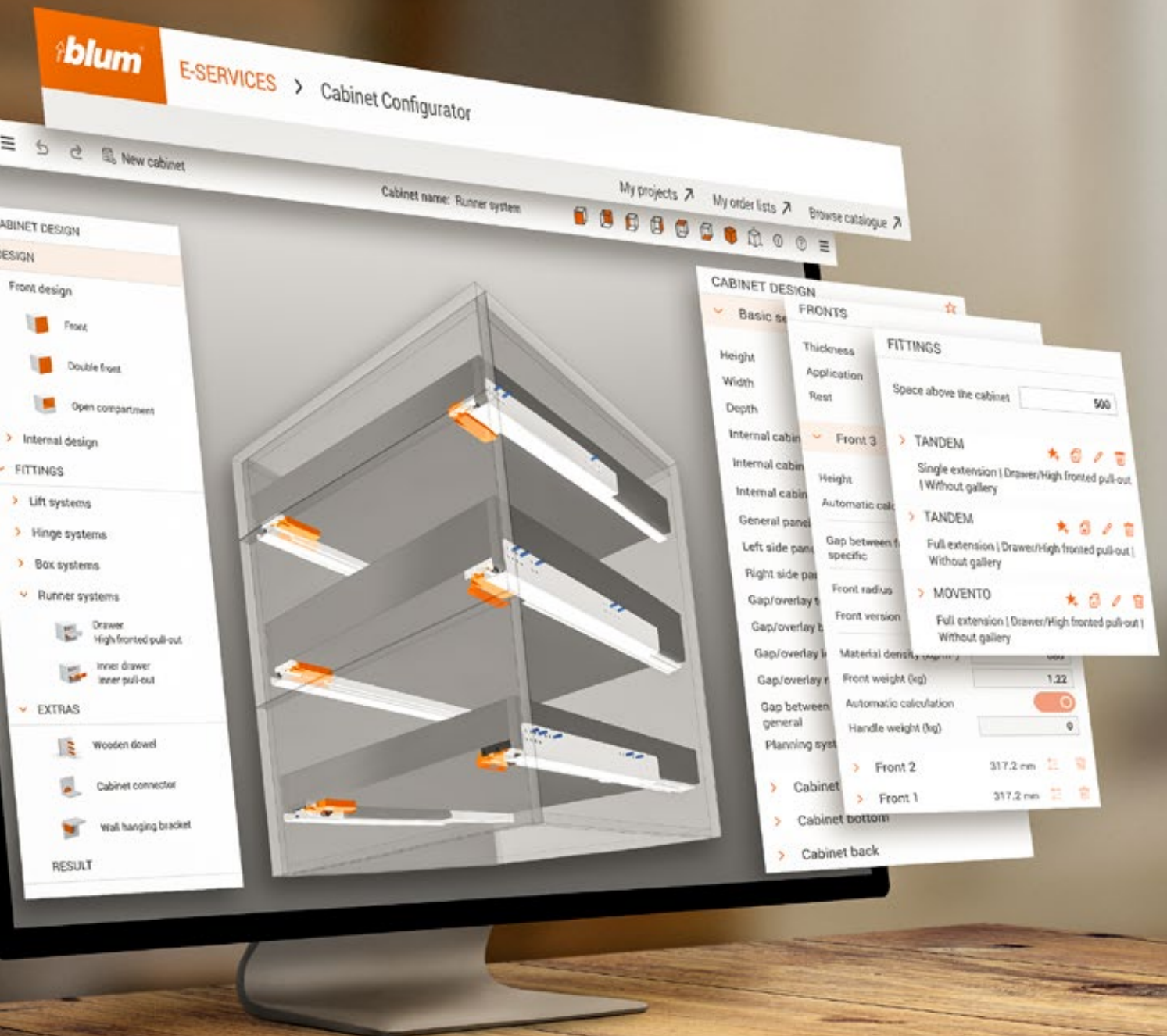
Services and assembly devices – precise, practical and professional

We offer bespoke services and assembly devices for the TANDEM 19 mm runner system. We support you along the entire process chain: our E-SERVICES help you to plan, design and choose products around the clock. In addition to drilling and insertion machines, we also offer special drilling templates for furniture production, such as for TANDEM 19 mm with the hook and peg feature or for the TANDEM front adjuster.



Product Configurator
www.blum.com/productconfigurator





Cabinet Configurator
www.blum.com/cabinetconfig

The right runner system for every requirement

Depending on your requirements, there are several different runner systems for your drawers. The versatile TANDEM 19 mm runner system impresses with a broad range: choose from several types of extension and three motion technologies. The MOVENTO concealed runner system is the sophisticated solution to meet exacting requirements: it boasts a synchronised feather-light glide, 4-dimensional adjustment and is fully compatible with all four Blum motion technologies.

**TANDEM
19 mm
Full extension**

**TANDEM
19 mm
Single extension**

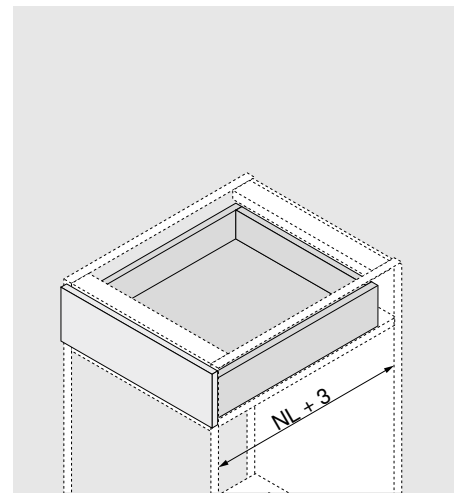


MOVENTO



560F locking device feature – full extension – BLUMOTION


- Concealed TANDEM 19 mm full extension for wooden drawers with a panel thickness of 17 to 19 mm
- Includes integrated BLUMOTION motion technology for soft and effortless closing
- Compatible with the SERVO-DRIVE electrical opening support system ¹
- Low-friction cylindrical nylon rollers ensure a feather-light glide
- Tool-free height adjustment via a locking device
- Tool-free integrated front tilt adjustment


Ordering information

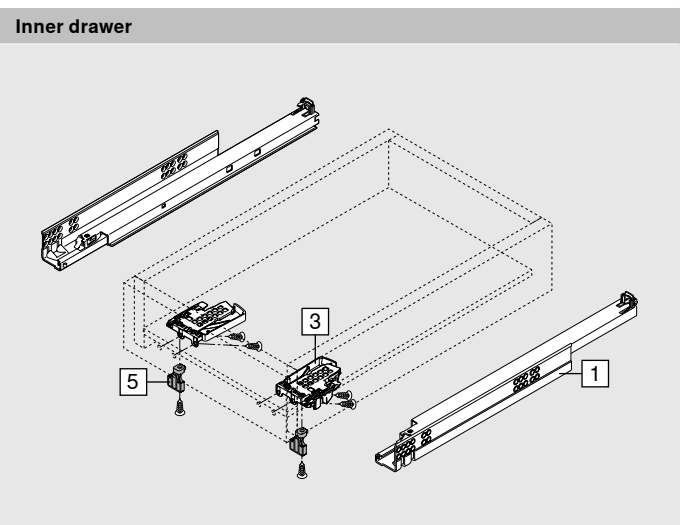
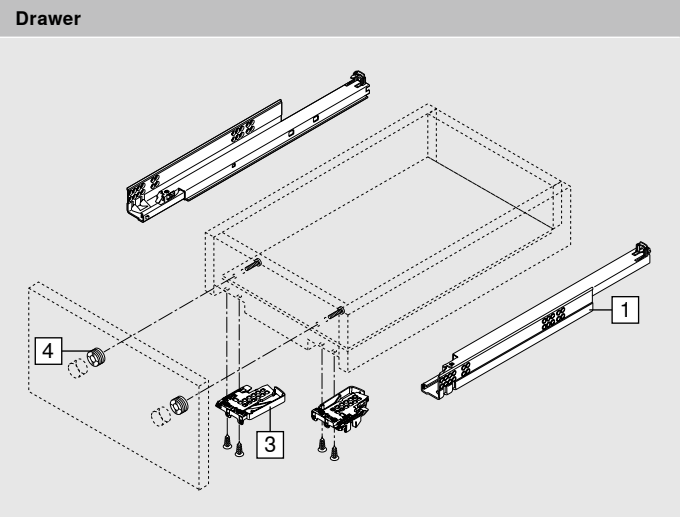
1	Runners left/right	
	Nominal length NL	Load bearing capacity 30 kg
	mm	
	250	560F2500B
	270	560F2700B
	300	560F3000B
	350	560F3500B
	400	560F4000B
	450	560F4500B
	500	560F5000B
550	560F5500B	
600	560F6000B	
Integrated BLUMOTION		

3	Locking device left/right	
	Nylon/zinc	T51.1700.04
	Orange	
	With height adjustment	
	Order left and right	

Accessories

4	Front adjuster	
	Nylon	295.1000
	Natural	

5	POSISTOP	
	Nylon	298.5500
	RAL 7037 dust grey	
	Depth stop	
	Can only be combined with locking device T51.1700.04	
Only for inset applications		



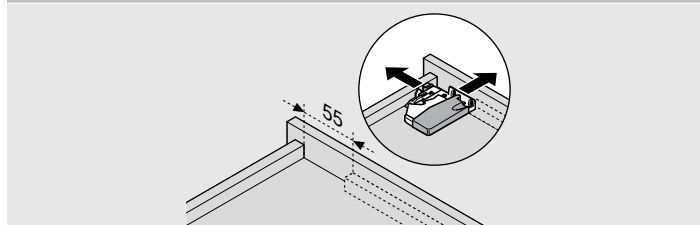
¹ You can find ordering and planning information on SERVO-DRIVE for TANDEM in the Blum catalogue: www.blum.com/catalogue

560F locking device feature – full extension – BLUMOTION

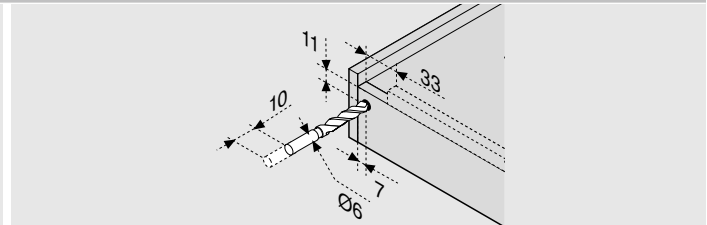
Planning

Space requirements in the cabinet	Drawer/inner drawer	Drawer	Inner drawer
	<p>SKW Internal drawer width</p> <p>LW Internal cabinet width</p>	<p>SKL Drawer length</p> <p>NL Nominal length</p>	<p>ISKL Inner drawer length</p> <p>SKL Drawer length</p> <p>NL Nominal length</p> <p>X Front thickness</p> <p>* Additional +2 mm with POSISTOP</p>

Drawer assembly



Use drilling template T65.1000.02

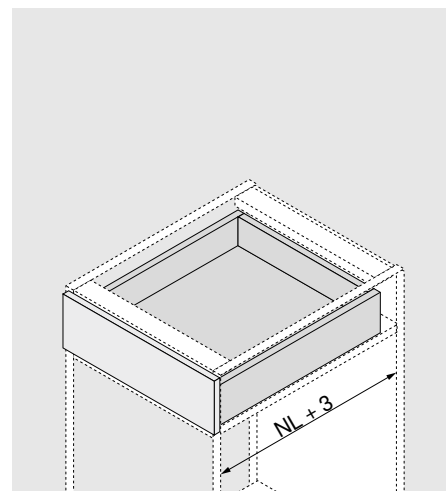


Use drilling template T65.1000.02

560F locking device feature – full extension – integrated TIP-ON



- Concealed TANDEM 19 mm full extension for wooden drawers with a panel thickness of 17 to 19 mm
- Includes integrated TIP-ON motion technology – the mechanical opening support system
- Low-friction cylindrical nylon rollers ensure a feather-light glide
- Tool-free height adjustment via a locking device
- Tool-free integrated front tilt adjustment
- Tool-free integrated depth adjustment
- Recommendation: optional TIP-ON synchronisation for secure triggering even with wide fronts



Ordering information

1	Runners left/right	
	Nominal length NL	Load bearing capacity 30 kg
	mm	
	250	560F2500T
	270	560F2700T
	300	560F3000T
	350	560F3500T
	400	560F4000T
	450	560F4500T
	500	560F5000T
550	560F5500T	
600	560F6000T	

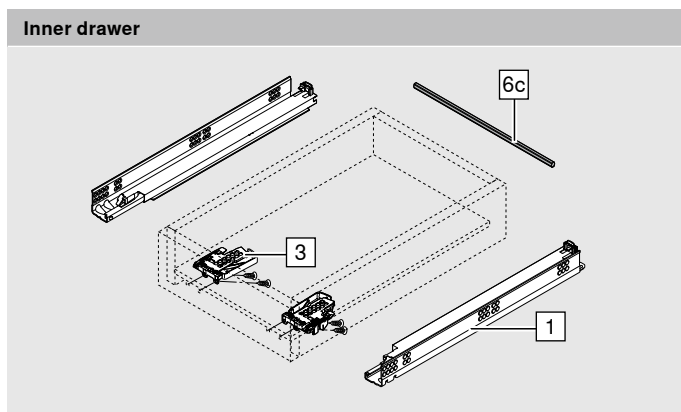
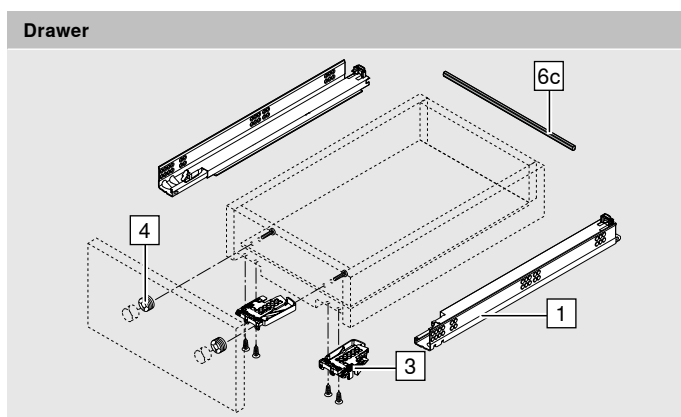
Integrated TIP-ON

3	Locking device left/right	
	Nylon/zinc	T51.1700.04
	Orange	
	With height adjustment	
Order left and right		

Accessories

4	Front adjuster	
	Nylon	295.1000
	Natural	

6c	TIP-ON synchronisation linkage	
	Cabinet width KB (mm)	Version
	Up to 1200	Profile linkage
T57.1140S		
For cutting to size		
We recommend the use of a synchronisation linkage for every cabinet width.		
Cutting dimensions: internal cabinet width LW – 39 mm		



560F locking device feature – full extension – integrated TIP-ON

Planning

Space requirements in the cabinet	Drawer/inner drawer	Drawer	Inner drawer
	<p>SKW Internal drawer width</p> <p>LW Internal cabinet width</p>	<p>SKL Drawer length</p> <p>NL Nominal length</p>	<p>ISKL Inner drawer length</p> <p>SKL Drawer length</p> <p>NL Nominal length</p> <p>X Front thickness</p>

Drawer assembly

Use drilling template T65.1000.02

Use drilling template T65.1000.02

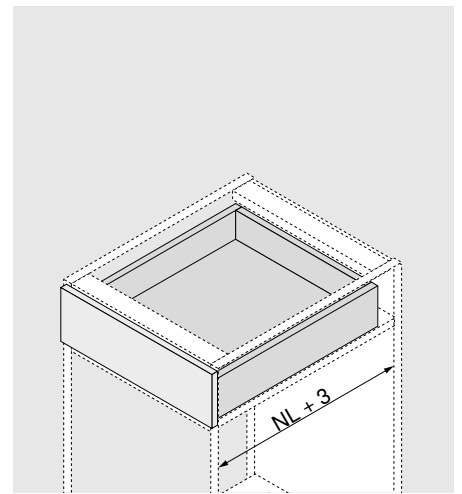
Trigger range

Example for 560F – 30 kg, nominal length NL 500 mm, four sided drawer, with synchronisation

550F locking device feature – single extension – BLUMOTION



- Concealed TANDEM 19 mm single extension for wooden drawers with a panel thickness of 17 to 19 mm
- With soft end stop when opening and integrated BLUMOTION motion technology for soft and effortless closing
- Compatible with the SERVO-DRIVE electrical opening support system ¹
- Low-friction cylindrical nylon rollers ensure a feather-light glide
- Tool-free height adjustment via a locking device



Ordering information

1	Runners left/right	
	Nominal length NL mm	Load bearing capacity 30 kg
	270	550F2700B
	300	550F3000B
	350	550F3500B
	400	550F4000B
	450	550F4500B
	500	550F5000B
	550	550F5500B
	600	550F6000B
	650	550F6500B

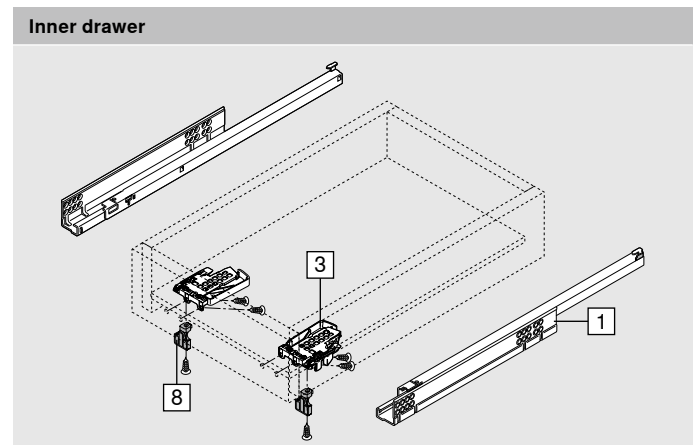
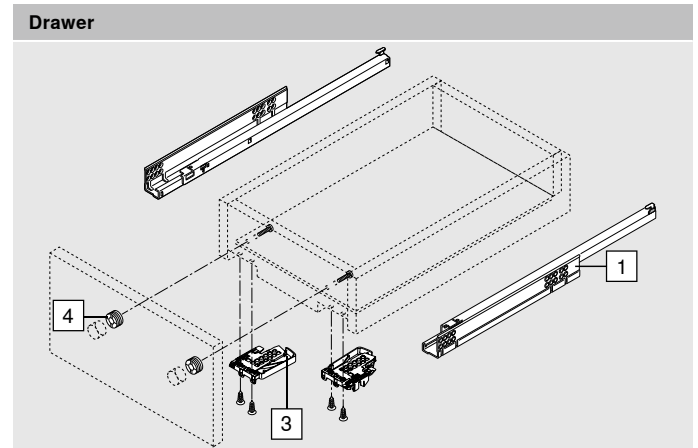
Integrated BLUMOTION

3	Locking device left/right	
	Nylon/zinc Orange	T51.1700.04
	With height adjustment	
	Order left and right	

Accessories

4	Front adjuster	
	Nylon Natural	295.1000

8	POSISTOP	
	Nylon RAL 7037 dust grey	298.5500
	Depth stop	
	Can only be combined with locking device T51.1700.04	
	Only for inset applications	



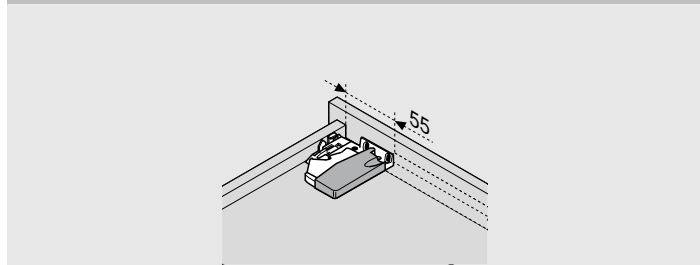
¹ You can find ordering and planning information on SERVO-DRIVE for TANDEM in the Blum catalogue:
www.blum.com/catalogue

550F locking device feature – single extension – BLUMOTION

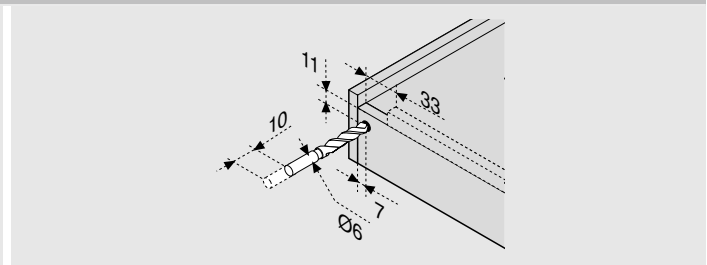
Planning

Space requirements in the cabinet	Drawer/inner drawer	Drawer	Inner drawer
<p>A 3 mm distance for exchange with full extension</p>	<p>SKW Internal drawer width</p> <p>LW Internal cabinet width</p>	<p>SKL Drawer length</p> <p>NL Nominal length</p>	<p>ISKL Inner drawer length</p> <p>SKL Drawer length</p> <p>NL Nominal length</p> <p>X Front thickness</p> <p>* Additional +2 mm with POSISTOP</p>

Drawer assembly



Use drilling template T65.1000.02

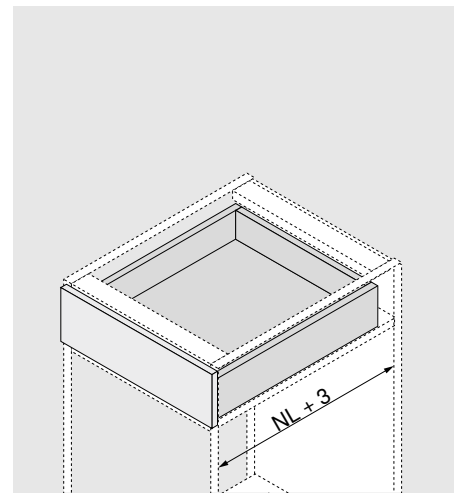


Use drilling template T65.1000.02

550F locking device feature – single extension – integrated TIP-ON



- Concealed TANDEM 19 mm single extension for wooden drawers with a panel thickness of 17 to 19 mm
- With soft end stop when opening
- Includes integrated TIP-ON motion technology – the mechanical opening support system
- Low-friction cylindrical nylon rollers ensure a feather-light glide
- Tool-free height adjustment via a locking device
- Tool-free integrated depth adjustment
- Recommendation: optional TIP-ON synchronisation for secure triggering even with wide fronts



Ordering information

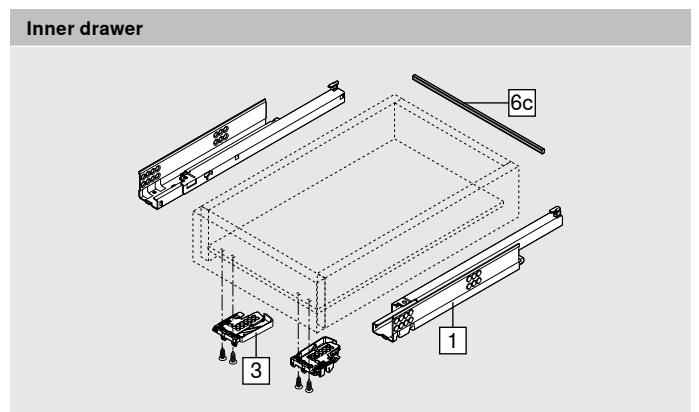
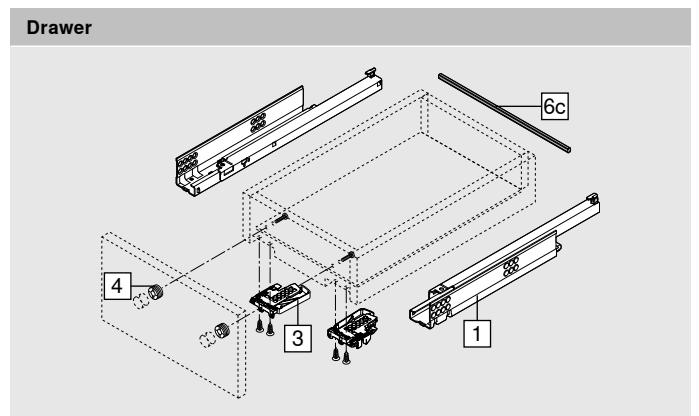
1	Runners left/right	
	Nominal length NL mm	Load bearing capacity 30 kg
	270	550F2700T
	300	550F3000T
	350	550F3500T
	400	550F4000T
	450	550F4500T
	500	550F5000T
	550	550F5500T
	600	550F6000T
650	550F6500T	
Integrated TIP-ON		

3	Locking device left/right	
	Nylon/zinc Orange	T51.1700.04
	With height adjustment	
	Order left and right	

Accessories

4	Front adjuster	
	Nylon Natural	295.1000

6c	TIP-ON synchronisation linkage		
	Cabinet width KB (mm)	Version	
	Up to 1200	Profile linkage	T57.1140S
	For cutting to size We recommend the use of a synchronisation linkage for every cabinet width. Cutting dimensions: internal cabinet width LW – 39 mm		



550F locking device feature – single extension – integrated TIP-ON

Planning

Space requirements in the cabinet	Drawer/inner drawer	Drawer	Inner drawer
A 3 mm distance for exchange with full extension	SKW Internal drawer width LW Internal cabinet width	SKL Drawer length NL Nominal length	ISKL Inner drawer length SKL Drawer length NL Nominal length X Front thickness

Drawer assembly

Use drilling template T65.1000.02

Use drilling template T65.1000.02

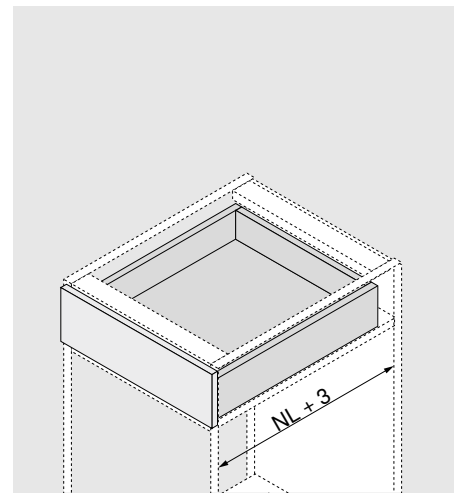
Trigger range

Example for 560F – 30 kg, nominal length NL 500 mm, four sided drawer, with synchronisation

561F hook and peg feature – full extension – BLUMOTION



- Concealed TANDEM 19 mm full extension for wooden drawers with a panel thickness of 17 to 19 mm
- Includes integrated BLUMOTION motion technology for soft and effortless closing
- Compatible with the SERVO-DRIVE electrical opening support system ¹
- Low-friction cylindrical nylon rollers ensure a feather-light glide
- Integrated lift-off stop and height and front tilt adjustment



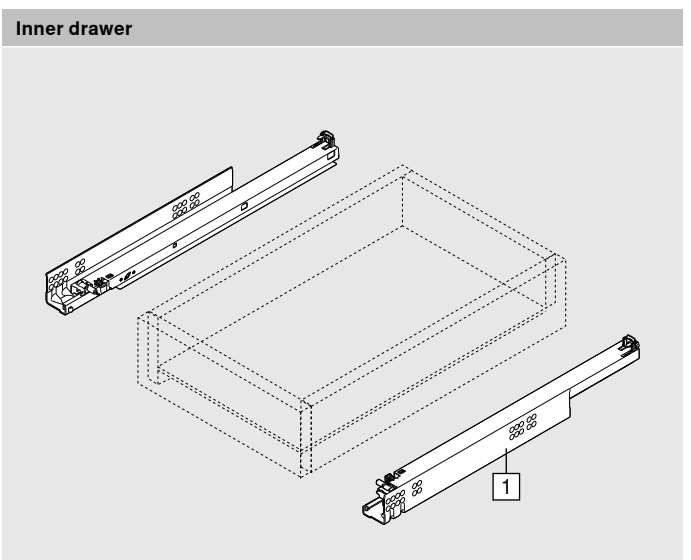
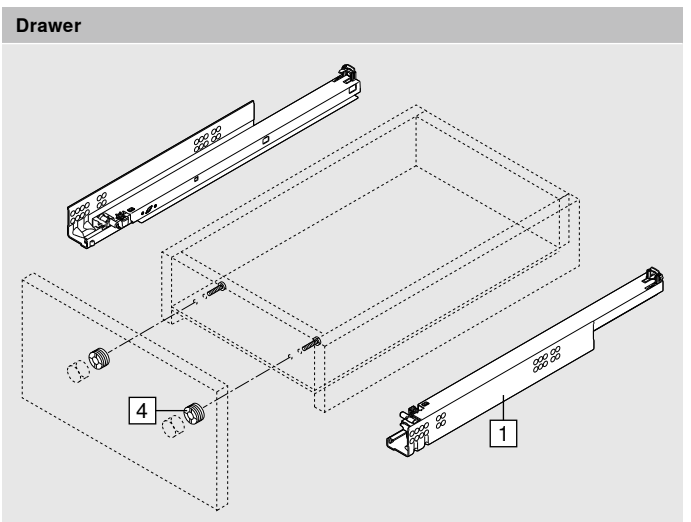
Ordering information

1	Runners left/right	
	Nominal length NL mm	Load bearing capacity 30 kg
	260	561F2601B
	310	561F3101B
	360	561F3601B
	410	561F4101B
	460	561F4601B
	510	561F5101B
	560	561F5601B

Integrated BLUMOTION

Accessories

4	Front adjuster	
	Nylon Natural	295.1000

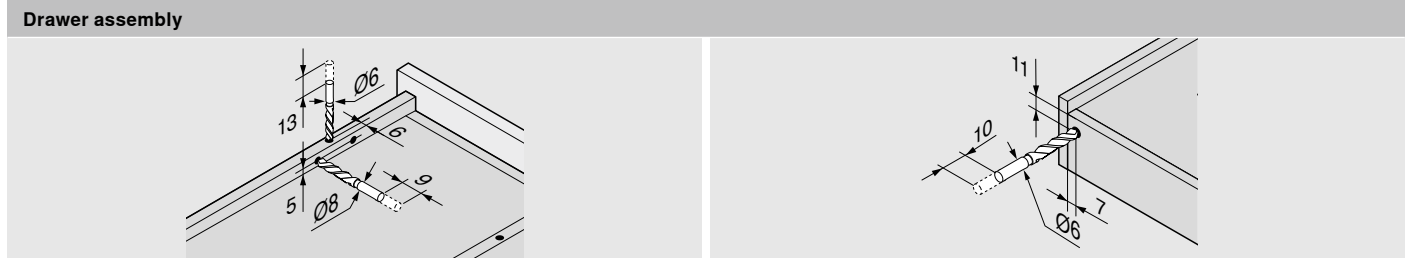


¹ You can find ordering and planning information on SERVO-DRIVE for TANDEM in the Blum catalogue: www.blum.com/catalogue

561F hook and peg feature – full extension – BLUMOTION

Planning

Space requirements in the cabinet	Drawer/inner drawer	Drawer	Inner drawer
	<p>SKW Internal drawer width</p> <p>LW Internal cabinet width</p>	<p>SKL Drawer length</p> <p>NL Nominal length</p>	<p>ISKL Inner drawer length</p> <p>SKL Drawer length</p> <p>NL Nominal length</p> <p>X Front thickness</p>



Use drilling template T65.1000.02

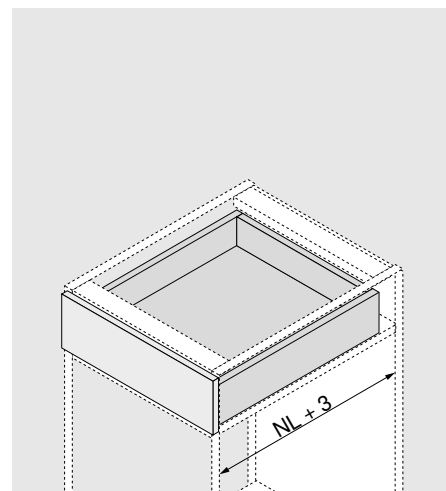
Drawer assembly

Nominal length NL (mm)	Peg X2 (mm)	Lift-off stop X3 (mm)
260	205	185
310	230	242
360	275	287
410	300	344
460	335	379
510	360	436
560	405	481

561F hook and peg feature – full extension – integrated TIP-ON



- Concealed TANDEM 19 mm full extension for wooden drawers with a panel thickness of 17 to 19 mm
- Includes integrated TIP-ON motion technology – the mechanical opening support system
- Low-friction cylindrical nylon rollers ensure a feather-light glide
- Integrated lift-off stop and height and front tilt adjustment
- Tool-free integrated depth adjustment
- Recommendation: optional TIP-ON synchronisation for secure triggering even with wide fronts



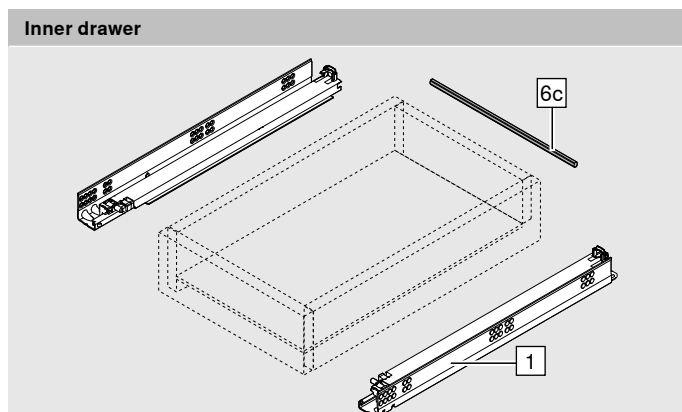
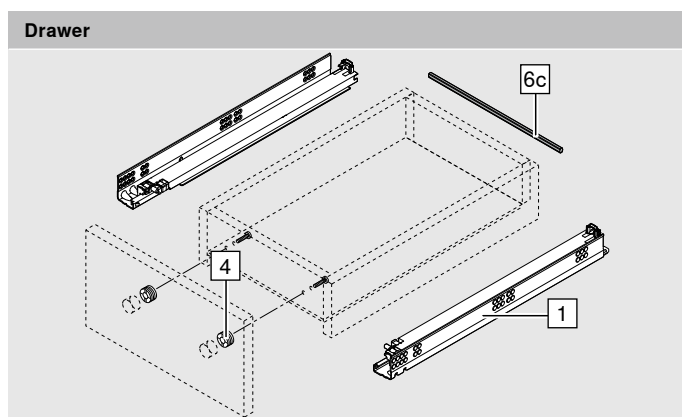
Ordering information

1	Runners left/right	
	Nominal length NL mm	Load bearing capacity 30 kg
	260	561F2601T
	310	561F3101T
	360	561F3601T
	410	561F4101T
	460	561F4601T
	510	561F5101T
560	561F5601T	
Integrated TIP-ON		

6c	TIP-ON synchronisation linkage	
	Cabinet width KB (mm)	Version
	Up to 1200	Profile linkage
T57.1140S		
For cutting to size We recommend the use of a synchronisation linkage. Cutting dimensions: internal cabinet width LW – 39 mm		

Accessories

4	Front adjuster	
	Nylon	295.1000
	Natural	



561F hook and peg feature – full extension – integrated TIP-ON

Planning

Space requirements in the cabinet	Drawer/inner drawer	Drawer	Inner drawer
	<p>SKW Internal drawer width</p> <p>LW Internal cabinet width</p>	<p>SKL Drawer length</p> <p>NL Nominal length</p>	<p>ISKL Inner drawer length</p> <p>SKL Drawer length</p> <p>NL Nominal length</p> <p>X Front thickness</p>

Drawer assembly

Use drilling template T65.1000.02

Trigger range

Example for 560F – 30 kg, nominal length NL 500 mm, four sided drawer, with synchronisation

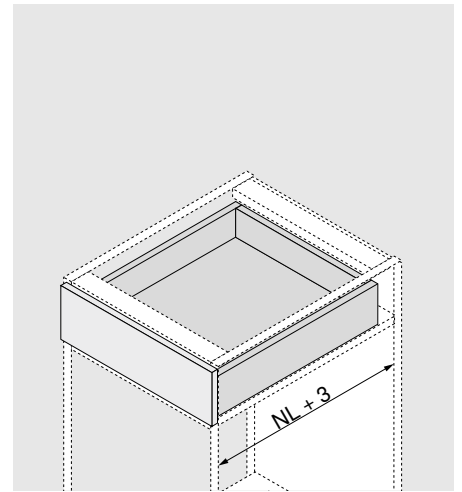
Drawer assembly

Nominal length NL (mm)	Peg X2 (mm)	Lift-off stop X1 (mm)
260	205	185
310	230	242
360	275	287
410	300	344
460	335	379
510	360	436
560	405	481

551F hook and peg feature – single extension – BLUMOTION



- Concealed TANDEM 19 mm single extension for wooden drawers with a panel thickness of 17 to 19 mm
- With soft end stop when opening and integrated BLUMOTION motion technology for soft and effortless closing ¹
- Compatible with the SERVO-DRIVE electrical opening support system ¹
- Low-friction cylindrical nylon rollers ensure a feather-light glide
- Lift-off stop and height adjustment integrated into runner system



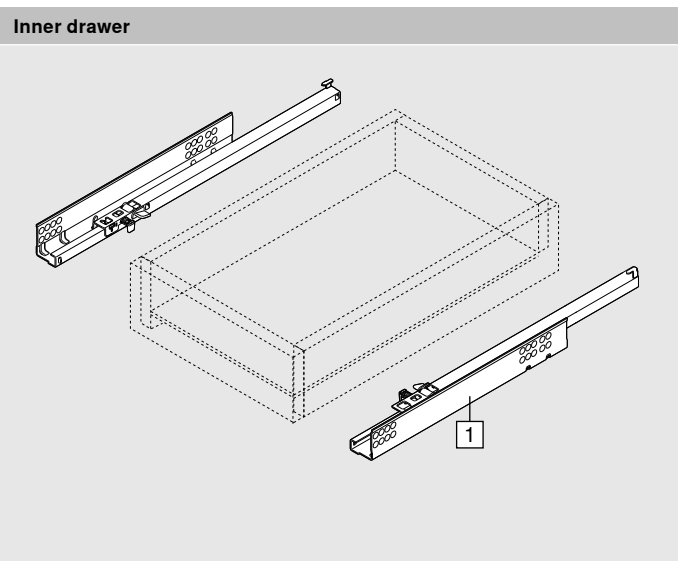
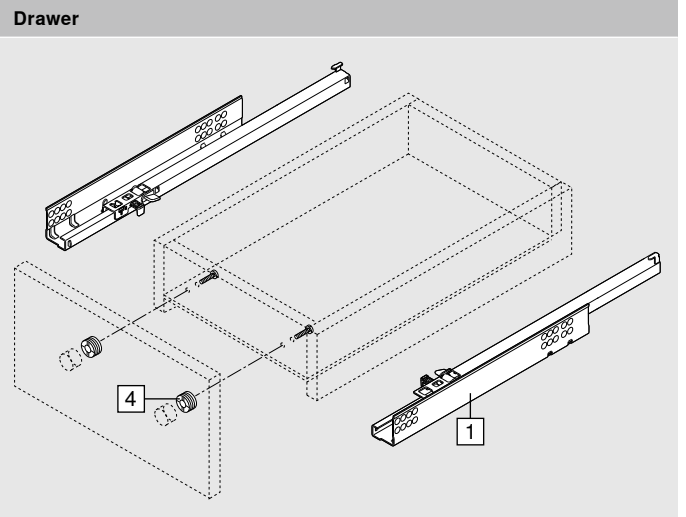
Ordering information

1	Runners left/right	
	Nominal length NL mm	Load bearing capacity 30 kg
	260	551F2601B
	310	551F3101B
	360	551F3601B
	410	551F4101B
	460	551F4601B
	510	551F5101B
	560	551F5601B

Integrated BLUMOTION

Accessories

4	Front adjuster	
	Nylon Natural	295.1000

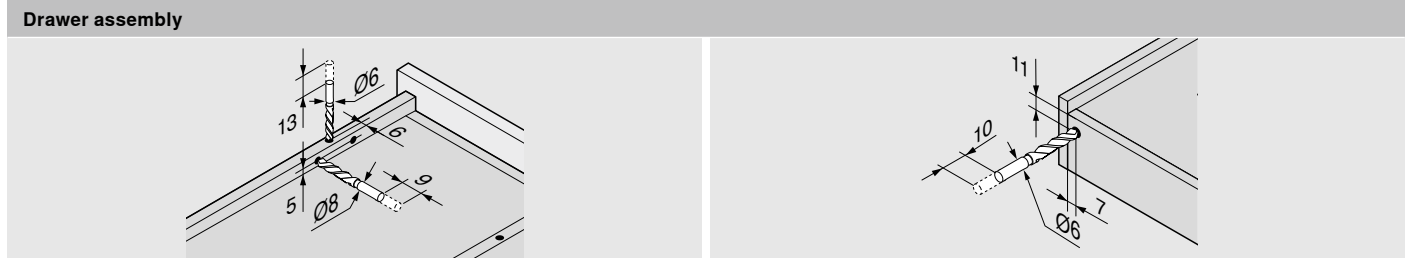


¹ You can find ordering and planning information on SERVO-DRIVE for TANDEM in the Blum catalogue: www.blum.com/catalogue

551F hook and peg feature – single extension – BLUMOTION

Planning

Space requirements in the cabinet	Drawer/inner drawer	Drawer	Inner drawer
A 3 mm distance for exchange with full extension	SKW Internal drawer width LW Internal cabinet width	SKL Drawer length NL Nominal length	ISKL Inner drawer length SKL Drawer length NL Nominal length X Front thickness



Use drilling template T65.1000.02

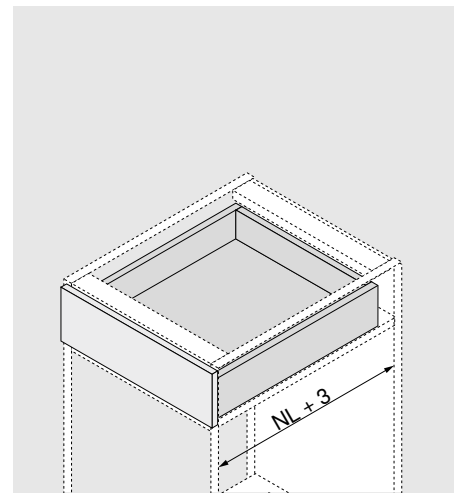
Drawer assembly

Nominal length NL (mm)	Peg X2 (mm)	Lift-off stop X1 (mm)
260	205	185
310	230	210
360	275	255
410	300	280
460	335	315
510	360	340
560	405	385

551F hook and peg feature – single extension – integrated TIP-ON



- Concealed TANDEM 19 mm single extension for wooden drawers with a panel thickness of 17 to 19 mm
- Includes integrated TIP-ON motion technology – the mechanical opening support system
- Low-friction cylindrical nylon rollers ensure a feather-light glide
- Lift-off stop and height adjustment integrated into runner system
- Tool-free integrated depth adjustment
- Recommendation: optional TIP-ON synchronisation for secure triggering even with wide fronts



Ordering information

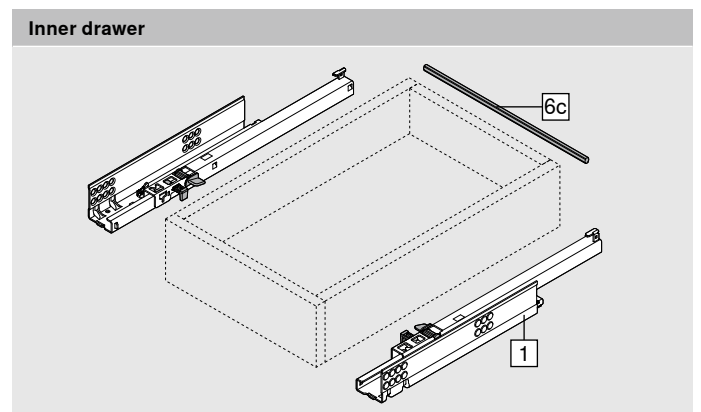
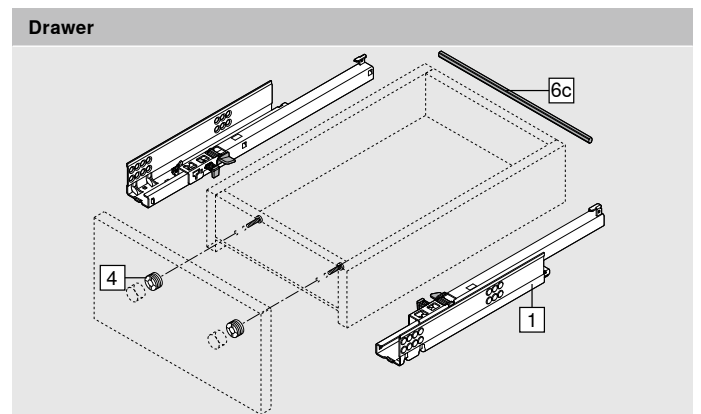
1	Runners left/right	
	Nominal length NL mm	Load bearing capacity 30 kg
	260	551F2601T
	310	551F3101T
	360	551F3601T
	410	551F4101T
	460	551F4601T
	510	551F5101T
	560	551F5601T

Integrated TIP-ON

6c	TIP-ON synchronisation linkage		
	Cabinet width KB (mm)	Version	
	Up to 1200	Profile linkage	T57.1140S
	For cutting to size We recommend the use of a synchronisation linkage. Cutting dimensions: internal cabinet width LW – 39 mm		

Accessories

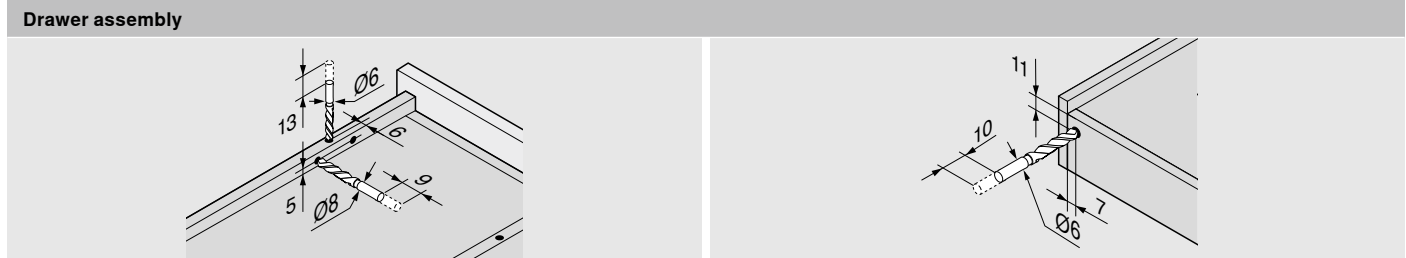
4	Front adjuster	
	Nylon Natural	295.1000



551F hook and peg feature – single extension – integrated TIP-ON

Planning

Space requirements in the cabinet	Drawer/inner drawer	Drawer	Inner drawer
A 3 mm distance for exchange with full extension	SKW Internal drawer width LW Internal cabinet width	SKL Drawer length NL Nominal length	ISKL Inner drawer length SKL Drawer length NL Nominal length X Front thickness



Use drilling template T65.1000.02

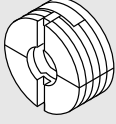
Trigger range

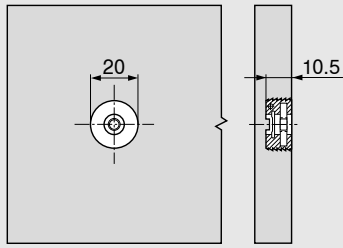
Example for 560F – 30 kg, nominal length NL 500 mm, four sided drawer, with synchronisation

Drawer assembly

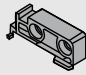
Nominal length NL (mm)	Peg X2 (mm)	Lift-off stop X1 (mm)
260	205	185
310	230	210
360	275	255
410	300	280
460	335	315
510	360	340
560	405	385

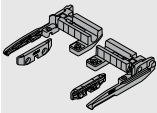
Accessories


Front adjuster	
	With pre-mounted steel flange For four sided drawers 2-dimensional front adjustment (± 2 mm) Material: nylon Colour: natural
	295.1000

Planning	
	
Insertion ram for MINIPRESS + PRO-CENTER MZM.0095	

POSISTOP	
	Nylon RAL 7037 dust grey
	298.5500
	Depth stop Can only be combined with locking device T51.1700.04
	Only for inset applications

Back fixing bracket – pull-out shelf without Pull-out shelf lock	
	Nylon Natural
	T51.7000.01

Pull-out shelf lock (set)	
	Material Nylon
	Colour Orion grey matt
	Consisting of: 2 x locking unit* 2 x latching element 1 x installation instructions
	295F5700
	Fixing with chipboard screws $\varnothing 3.5 \times 15$ mm, part no. 609.1500 or system screws, part no. 661.1450.HG
	* Fixing only possible with chipboard screws
	During assembly of the pull-out shelf lock, make sure that you leave the tilt adjustment at the factory setting

Pull-out shelf lock – synchronisation linkage	
	Aluminium Natural
	For cutting to size
	ZST.1089W
	Optional ZST.1160W
Suitable for cabinet width KB 1200 mm	
Cutting dimensions: LW – 94 ± 1 mm	
Pull-out shelf lock can be unlocked with one hand thanks to synchronisation	

Further information on the pull-out shelf lock can be found in EP-552
 Pull-out shelf lock

Attachment of runners 560F/561F with BLUMOTION

Runner 560F – 30 kg											
NL	19	37	69	133	165	197	229	243	261	284	325
250–270	○●	○●	○●	○○●		○○●					
300–350	○●	○●	○●		○○●				○○●		
400	○●	○●	○●		○○●		○○●				
450	○●	○●	○●		○○●				○○●		
500–550	○●	○●	○●					○○●	○○●	○○●	
600	○●	○●	○●					○○●	○○●		○

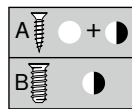
- NL Nominal length
- A Chipboard screw Ø 4 x 15 mm
- B System screw, part number 661.1450.HG
- * BLUMOTION

Runner 561F – 30 kg											
NL	19	37	69	133	165	229	243	261	284	325	
260	○●	○●	○●	○○●							
310	○●	○●	○●		○○●						
360	○●	○●	○●		○○●		○○●				
410	○●	○●	○●		○○●	○○●					
460	○●	○●	○●		○○●		○○●				
510	○●	○●	○●				○○●	○○●	○○●		
560	○●	○●	○●				○○●	○○●		○	

- NL Nominal length
- A Chipboard screw Ø 4 x 15 mm
- B System screw, part number 661.1450.HG
- * BLUMOTION

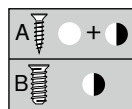
Attachment of runners 560F/561F with integrated TIP-ON

Runner 560F – 30 kg																
NL	19	37	69	133	165	197	229	243	261	284	325	357	421	453	517	549
250–270	○ ○ ● ○○○○	○ ● ○○	○ ○ ● ○○	○ ○ ● ○○	○ ○ ● ○○	○ ○ ● ○○										
300	○ ○ ● ○○○○	○ ● ○○	○ ○ ● ○○	○ ○ ● ○○	○ ○ ● ○○				○ ○ ● ○○							
350	○ ○ ● ○○○○	○ ● ○○	○ ○ ● ○○	○ ○ ● ○○	○ ○ ● ○○				○ ○ ● ○○		○ ○ ● ○○					
400	○ ○ ● ○○○○	○ ● ○○	○ ○ ● ○○	○ ○ ● ○○	○ ○ ● ○○		○ ○ ● ○○					○ ○ ● ○○				
450	○ ○ ● ○○○○	○ ● ○○	○ ○ ● ○○	○ ○ ● ○○	○ ○ ● ○○			○ ○ ● ○○		○ ○ ● ○○			○ ○ ● ○○			
500	○ ○ ● ○○○○	○ ● ○○	○ ○ ● ○○	○ ○ ● ○○	○ ○ ● ○○			○ ○ ● ○○	○ ○ ● ○○				○ ○ ● ○○			
550	○ ○ ● ○○○○	○ ● ○○	○ ○ ● ○○	○ ○ ● ○○	○ ○ ● ○○			○ ○ ● ○○	○ ○ ● ○○				○ ○ ● ○○	○ ○ ● ○○		
600	○ ○ ● ○○○○	○ ● ○○	○ ○ ● ○○	○ ○ ● ○○	○ ○ ● ○○			○ ○ ● ○○	○ ○ ● ○○		○ ○ ● ○○					○ ○ ● ○○



- NL Nominal length
- A Chipboard screw Ø 4 x 15 mm
- B System screw, part number 661.1450.HG

Runner 561F – 30 kg														
NL	19	37	69	133	165	229	243	261	284	325	357	421	453	517
260	○ ○ ● ○○○○	○ ● ○○	○ ○ ● ○○	○ ○ ● ○○	○ ○ ● ○○	○ ○ ● ○○								
310	○ ○ ● ○○○○	○ ● ○○	○ ○ ● ○○	○ ○ ● ○○	○ ○ ● ○○			○ ○ ● ○○						
360	○ ○ ● ○○○○	○ ● ○○	○ ○ ● ○○	○ ○ ● ○○	○ ○ ● ○○			○ ○ ● ○○		○ ○ ● ○○				
410	○ ○ ● ○○○○	○ ● ○○	○ ○ ● ○○	○ ○ ● ○○	○ ○ ● ○○	○ ○ ● ○○					○ ○ ● ○○			
460	○ ○ ● ○○○○	○ ● ○○	○ ○ ● ○○	○ ○ ● ○○	○ ○ ● ○○		○ ○ ● ○○					○ ○ ● ○○		
510	○ ○ ● ○○○○	○ ● ○○	○ ○ ● ○○	○ ○ ● ○○	○ ○ ● ○○			○ ○ ● ○○	○ ○ ● ○○				○ ○ ● ○○	
560	○ ○ ● ○○○○	○ ● ○○	○ ○ ● ○○	○ ○ ● ○○	○ ○ ● ○○			○ ○ ● ○○	○ ○ ● ○○		○ ○ ● ○○			○ ○ ● ○○



- NL Nominal length
- A Chipboard screw Ø 4 x 15 mm
- B System screw, part number 661.1450.HG

Attachment of runners 550F/551F with BLUMOTION/integrated TIP-ON

Runner 550F – 30 kg										
NL	19*	37	133	147	165	261	284	325	389	
270	○●●	○●●	○●●							
300–450	○●●	○●●	○●●	○●●						
500–550	○●●	○●●	○●●	○●●	○●●	○●●	○●●	○●●		
600	○●●	○●●	○●●	○●●	○●●	○●●	○●●	○●●	○●●	
650	○●●	○●●	○●●	○●●	○●●	○●●	○●●	○●●	○●●	○●●

A
 B

- NL Nominal length
- A Chipboard screw Ø 4 x 15 mm
- B System screw, part number 661.1450.HG
- * Can be replaced with chipboard screw Ø 4 x 15 mm

Runner 551F – 30 kg									
NL	19*	37	133	147	165	261	284	325	
260	○●●	○●●	○●●						
310–410	○●●	○●●	○●●	○●●					
460	○●●	○●●	○●●	○●●	○●●	○●●	○●●	○●●	
510	○●●	○●●	○●●	○●●	○●●	○●●	○●●	○●●	○●●
560	○●●	○●●	○●●	○●●	○●●	○●●	○●●	○●●	○●●

A
 B

- NL Nominal length
- A Chipboard screw Ø 4 x 15 mm
- B System screw, part number 661.1450.HG
- * Can be replaced with chipboard screw Ø 4 x 15 mm



Assembly, adjustment and removal
www.blum.com/tandem19



Notes

Notes



moving ideas

We believe that ideas can move the world. We offer innovative fittings, inspiring furniture concepts and appropriate services so that you can turn your creative ideas into reality. We are driven by your needs, international trends and our shared vision of a better quality of living. Let us work together to create moving ideas.



Quality of living

We would like you to enjoy greater convenience and functionality when using furniture.



Product range

Everything from a single source: our wide range of products allows you to keep up with today's and tomorrow's trends.



Inspiration

We monitor global trends and strive to create the solutions of tomorrow. We like to share our insights with you.



Innovation

We stay in motion. Curiosity and pioneering spirit drive us to develop new products and services for you.



Services

We support your daily operations with customised services tailored to your processes.



Quality

We continuously strive to improve our products, services and ourselves.



Trust

We take responsibility for partnerships, our employees, society and the environment.

Julius Blum started our journey in 1952 with horseshoe studs. Today we supply innovative fittings to customers in over 120 countries.

Julius Blum GmbH
6973 Höchst, Austria
Tel.: +43 5578 705-0
Fax: +43 5578 705-44
E-mail: info@blum.com
www.blum.com

Our sites in Austria, Poland and China are certified to the international standards mentioned below.
Our site in the USA is certified to ISO 9001.
Our site in Brazil is certified to ISO 9001, ISO 14001 and ISO 45001.



Look for our
FSC™-certified
products

All content is copyrighted by Blum.
Subject to technical modifications and changes to the range without notice.
IDNR: 312.542.6 · EP-547/4 EN-AL/07.24